



PROJECT NAME		LOCATION		AIA #
ITEM #	QTY	MODEL #		SIS #

# SPEC SERIES®

REACH-IN SOLID HALF SWING DOOR FREEZER WITH HYDROCARBON REFRIGERANT

models	STR1F-2HS-HC	STA1F-2HS-HC	STG1F-2HS-HC
--------	--------------	--------------	--------------



STR1F-2HS-HC	
<b>Exterior</b>	Stainless steel door, front & sides.
<b>Interior</b>	Stainless steel side walls, back, floor, door liner, & ceiling.
<b>Shelving</b>	(1) Interior kit option included per full section, factory installed.

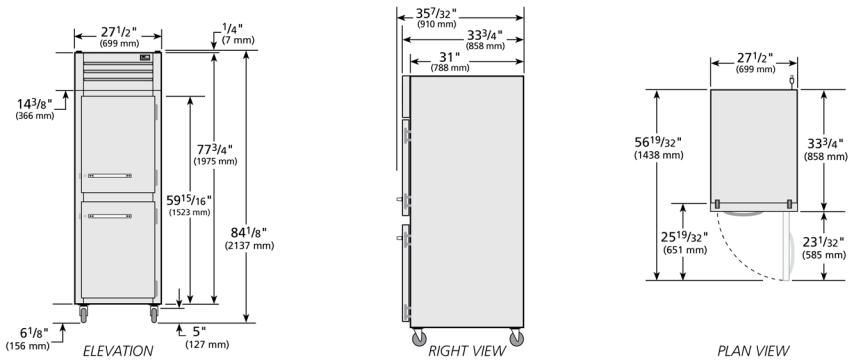
STA1F-2HS-HC	
<b>Exterior</b>	Stainless steel door, front & sides.
<b>Interior</b>	Aluminum side walls & back. Stainless steel floor & ceiling.
<b>Shelving</b>	(3) Heavy duty, chrome plated, wire shelves per section.

STG1F-2HS-HC	
<b>Exterior</b>	Stainless steel door & front, with matching aluminum sides.
<b>Interior</b>	Aluminum side walls & back. Stainless steel floor & ceiling.
<b>Shelving</b>	(3) Heavy duty, PVC coated, wire shelves per section.

SPECIFICATIONS		
Dimensions	in.	mm.
Width	27 <sup>1</sup> / <sub>2</sub>	699
Depth	33 <sup>3</sup> / <sub>4</sub>	858
Height	77 <sup>3</sup> / <sub>4</sub>	1975
Electrical	U.S.	International
Horsepower	1/2	N/A
Amps	6.0	N/A
Voltage	115/60/1	
NEMA	5-15P	
Cord Length	9 ft.	2.74 M.
	115/60/1 NEMA-5-15R	

\* Height does not include 6<sup>1</sup>/<sub>8</sub>" (156 mm) for castors or 6" (153 mm) for optional legs. Height does not include 1/4" (7mm) for system mechanical components.  
 † Depth does not include 1 1/2 for door handle.

## plan view



Specifications subject to change without notice.  
 Chart dimensions are rounded up to the nearest 1/8" (millimeters rounded up to the next whole number).



PROJECT NAME	LOCATION	AIA #
ITEM #	QTY	MODEL #
		SIS #

# SPEC SERIES®

REACH-IN SOLID HALF SWING DOOR FREEZER WITH HYDROCARBON REFRIGERANT

models	STR1F-2HS-HC	STA1F-2HS-HC	STG1F-2HS-HC
--------	--------------	--------------	--------------



## standard features

### REFRIGERATION SYSTEM

- Factory engineered, self-contained, expansion valve (TXV) system using environmentally friendly R290 hydrocarbon refrigerant that has zero (0) ozone depletion potential (ODP), & 0.02 global warming potential (GWP).
- High capacity, factory balanced refrigeration system that maintains -10°F (-23.3°C) temperatures. Ideal for both frozen foods and ice cream.
- State of the art, electronically commutated evaporator and condenser fan motors. ECM motors operate at higher peak efficiencies and move a more consistent volume of air which produces less heat, reduces energy consumption and provides greater motor reliability.
- Top mounted refrigeration system with evaporator positioned out of food zone to maximize capacity.
- Automatic defrost system time-initiated, temperature-terminated. Saves energy consumption and provides shortest possible defrost cycle.
- Automatic evaporator fan motor delay during defrost cycle.

### CABINET CONSTRUCTION

- Insulation - Entire cabinet structure and solid door are foamed-in-place using a high density, polyurethane insulation that has zero ozone depletion potential (ODP) and zero global warming potential (GWP).

- 5" (127 mm) diameter plate castors - locks provided on front set.

### DOORS

- Lifetime guaranteed bolt style door locks standard.
- Lifetime guaranteed heavy duty all metal working door handles.
- Positive seal self-closing doors with 120° stay open feature. Lifetime guaranteed external cam lift door hinges, four (4) per door section.
- Magnetic door gaskets of one piece construction, removable without tools for ease of cleaning.

### LIGHTING

- LED interior lighting, safety shielded.

### MODEL FEATURES

- Exterior digital temperature display, available with either °F or °C .
- Evaporator epoxy coated to eliminate the potential of corrosion
- Curb mounting ready.
- NSF/ANSI Standard 7 compliant for open food product.

### ELECTRICAL

- Unit completely pre-wired at factory and ready for final connection to a 115/60/1 phase, 15 amp dedicated outlet. Cord and plug set included.

### OPTIONAL FEATURES/ ACCESSORIES

*(upcharge & lead times may apply)*

- 6" (153 mm) standard legs.
- 6" (153 mm) seismic/flanged legs.
- 6" (153 mm) stainless steel legs.
- Field reversible hinge.

- Additional shelves.
- Stainless back. (STR, STA, STG)
- Security package.

### SHELVING KIT OPTIONS

- STR series kits factory installed at no charge. STA & STG series kits field installed, upcharge applies, lead times may apply.
- Kit #1: Nine (9) sets of #1 type tray slides and pilasters (field installed), bottom support of one (1) 18"L x 26"D (458 mm x 661 mm) pan or two (2) 14"L x 18"D (356 mm x 458 mm) pans.
- Kit #2: One (1) set half-section #2 steel rod tray slides and pilasters (field installed), rim support of one (1) 18"L x 26"D (458 mm x 661 mm) pan.
- Kit #3: Six (6) sets of universal type tray slides and pilasters (field installed), bottom support of one (1) 18"L x 26"D (458 mm x 661 mm) pan, two (2) 14"L x 18"D (356 mm x 458 mm) pans or two (2) 12"L x 20"D (305 mm x 508 mm) pans.
- Kit #4: Three (3) chrome shelves 26 5/16"L x 21 5/16"D (669 mm x 548 mm). Optional wall mounted shelf support pilasters (field installed) with four (4) shelf clips per shelf available; adjustable on 1/2" (13 mm) increments (must order at time of cabinet order).
- Additional kit option components available individually.

METRIC DIMENSIONS ROUNDED UP TO THE NEAREST WHOLE MILLIMETER

SPECIFICATIONS SUBJECT TO CHANGE WITHOUT NOTICE

	Model	Elevation	Right	Plan	3D	Back
	ST( )1F-2HS-HC					