

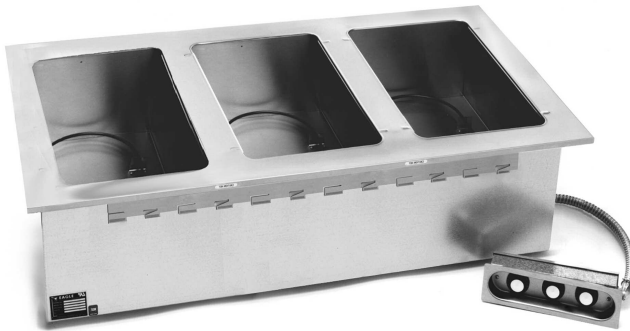


Profit from the Eagle Advantage®

# Specification Sheet

## Short Form Specifications

Eagle Electric Hot Food Gang Drop-In Unit, model \_\_\_\_\_ . Heavy gauge stainless steel top with overhang on all four sides. Galvanized steel body surrounded with fiberglass insulation. Each heated well accommodates a 12" x 20" food pan, and features a 750-watt exposed heating element. All units feature infinite controls, with high and low selections plus eight other temperature settings. Controls are recessed into control panel.



model # GDI-3-240 unit

## Options / Accessories

- Rolltop cover
- Food pans/insets
- Top adapters
- Spillage pans

**EAGLE GROUP**  
100 Industrial Boulevard, Clayton, DE 19938-8903 USA  
Phone: 302-653-3000 • Fax: 302-653-2065  
www.eaglegrp.com

**Foodservice Division: Phone 800-441-8440**  
**MHC/Retail Display Divisions: Phone 800-637-5100**

For custom configuration or fabrication needs, contact our **SpecFAB® Division**.  
Phone: 302-653-3000 • Fax: 302-653-2065 • e-mail: quotes@eaglegrp.com

**Spec sheets available for viewing, printing or downloading from our online literature library at [www.eaglegrp.com](http://www.eaglegrp.com)**

*Eagle Foodservice Equipment, Eagle MHC, SpecFAB®, and Retail Display are divisions of Eagle Group. ©2018 by the Eagle Group*

Item No.:	_____
Project No.:	_____
S.I.S. No.:	_____

## Electric Hot Food Gang Drop-In Units

### MODELS:

- |                                    |                                    |                                    |                                 |
|------------------------------------|------------------------------------|------------------------------------|---------------------------------|
| <input type="checkbox"/> GDI-2-208 | <input type="checkbox"/> GDI-3-240 | <input type="checkbox"/> GDI-5-208 | <input type="checkbox"/> 305174 |
| <input type="checkbox"/> GDI-2-240 | <input type="checkbox"/> GDI-4-208 | <input type="checkbox"/> GDI-5-240 | <input type="checkbox"/> DVE-50 |
| <input type="checkbox"/> GDI-3-208 | <input type="checkbox"/> GDI-4-240 | <input type="checkbox"/> 305173    | <input type="checkbox"/> DVE-75 |

### Top and Body

- 22 gauge type 430 stainless steel top with 1" (25mm) overhang on all four side with reinforced angles.
- 20 gauge galvanized steel wraparound.

### Heat Compartments

- Each heat compartment accommodates a 12" x 20" (305 x 508mm) food pan.
- 750-watt exposed rectangular-shaped heating element per heat compartment.
- Fiberglass insulation on all four sides and bottom, with heating elements above the insulated bottom.

### Controls

- All units feature infinite controls which offer high and low selections along with eight other temperature settings.
- Control knobs are recessed into a one-piece, front-mounted control panel.

### Electrical

- Flexible conduit connecting the body enclosure and control panel is 20" (508mm) on all models.
- All wiring terminates in a junction box.
- All units are single phase. Three-phase wiring available.
- ALL UNITS ARE DESIGNED FOR FIELD WIRING.

### Certifications / Approvals



Note: Not UL-recognized for Canada

## AUTOQUOTES

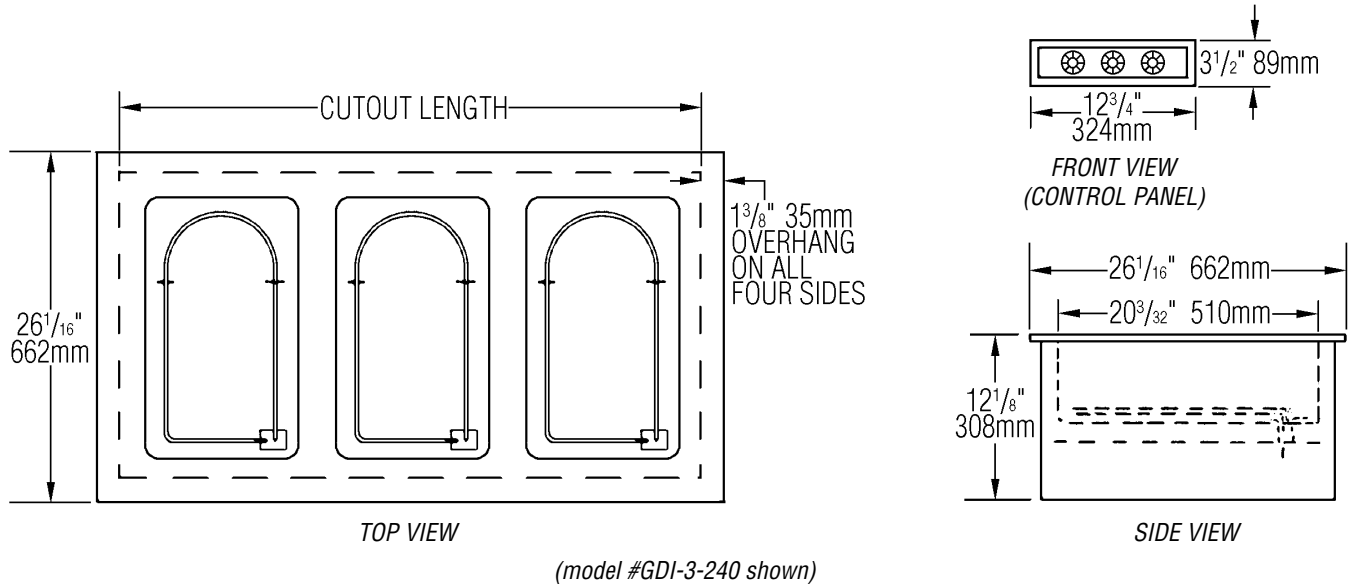


EG35.13 Rev. 12/18



Item No.: \_\_\_\_\_  
 Project No.: \_\_\_\_\_  
 S.I.S. No.: \_\_\_\_\_

# Electric Hot Food Gang Drop-In Units



(model #GDI-3-240 shown)

# of pan openings	# of panels	overall dimensions in.	overall dimensions mm	fits cutout measuring in.	fits cutout measuring mm	type of remote control panel(s), and cutout dimensions	electrical data	model #
2	1	26 1/16" x 33 1/2"	662 x 851	23 3/16" x 30 3/4"	592 x 781	double, 8 3/8" x 2 1/16" (213 x 68mm)	208V, 7.2A, 1500W 240V, 6.25A, 1500W	<b>GDI-2-208</b> <b>GDI-2-240</b>
3	1	26 1/16" x 48 7/8"	662 x 1241	23 3/16" x 46 7/8"	592 x 1172	triple, 11 13/16" x 2 1/16" (300 x 68mm)	208V, 10.8A, 2250W 240V, 9.38A, 2250W	<b>GDI-3-208</b> <b>GDI-3-240</b>
4	2	26 1/16" x 64 1/4"	662 x 1632	23 3/16" x 61 1/2"	592 x 1562	double, 8 3/8" x 2 1/16" (213 x 68mm)	208V, 14.4A, 3000W 240V, 12.5A, 3000W	<b>GDI-4-208</b> <b>GDI-4-240</b>
5	2	26 1/16" x 79 1/4"	662 x 2018	23 3/16" x 76 9/16"	592 x 1945	double—8 3/8" x 2 1/16" (213 x 68mm), & triple—11 13/16" x 2 1/16" (300 x 68mm)	208V, 18.0A, 3750W 240V, 15.6A, 3750W	<b>GDI-5-208</b> <b>GDI-5-240</b>

NOTE: 240-volt units will not allow field wiring to 208 volts.

### Spillage Pans required for wet application

- Deep-drawn, fully-covered.
- 6 1/2" (165mm) deep.



description	weight		model #
	lbs.	kg	
stainless steel	7	3.2	<b>302027</b>
aluminum	3	1.4	<b>304141</b>

### Replacement Recessed Control Panels

Punched. Stainless steel construction.

description	cutout dimensions		model #
	in.	mm	
double	8 3/8" x 2 1/16"	213 x 68	<b>305173</b>
triple	11 13/16" x 2 1/16"	300 x 68	<b>305174</b>

### Drain Valve Extensions

With ball valve. Adjusts from 7" to 28" (178 to 711mm). 2 3/4" (70mm)-diameter cutout required for handle.

model #	description
<b>DVE-50</b>	fits 1/2" valve
<b>DVE-75</b>	fits 3/4" valve



**EAGLE GROUP**  
 100 Industrial Boulevard, Clayton, DE 19938-8903 USA  
 Phone: 302-653-3000 • Fax: 302-653-2065  
 www.eaglegrp.com

Foodservice Division: Phone 800-441-8440  
 MHC/Retail Display Divisions: Phone 800-637-5100

Printed in U.S.A.  
 ©2018 by Eagle Group  
 Rev. 12/18

Spec sheets available for viewing, printing or downloading from our online literature library at [www.eaglegrp.com](http://www.eaglegrp.com)

Although every attempt has been made to ensure the accuracy of the information provided, we cannot be held responsible for typographical or printing errors. Information and specifications are subject to change without notice. Please confirm at time of order.