



The Signature of Quality

FEDERAL INDUSTRIES

A Standex Company

215 Federal Avenue Belleville
Wisconsin 53508-9201

Phone: 800-356-4206

Fax: 608-424-3234

Email: Geninfo@Federalind.com

Website: Federalind.com

Project Name: _____

AIA #

Item #: _____

Model #: _____ Qty: _____

SIS #

Approval: _____

Italian Glass Refrigerated 34" H Counter Display Case (Drop-In)

Ideal for both Bakery & Deli Merchandising

Designed for customers looking for rich, up-scale Italian styling for maximum visual appeal that will drive product sales.



Model ITR4826 Shown
*Counter Not Provided

MODEL	DIMENSIONS (Includes End Panels)
<input type="checkbox"/> ITR3634	36 x 30 x 50 (in) 914 x 762 x 1270 (mm)
<input type="checkbox"/> ITR4834	48 x 30 x 50 (in) 1219 x 762 x 1270 (mm)
<input type="checkbox"/> ITR6034	60 x 30 x 50 (in) 1524 x 762 x 1270 (mm)

STANDARD FEATURES

Model Features

- Stainless steel interior
- All tempered thermo-pane glass construction
- Removable sliding glass rear doors
- Rear air intake and discharge

Refrigeration

- Electronic temperature control with on demand defrost
- PTC Condensate evaporator provided for a totally self-contained system
- Easily accessible light switch, power switch, and electronic temperature control
- Average product temperature of 38°F (3.3°C) to 40°F (4.4°C)
- Proper ventilation of counter is required for proper performance
- Rear air intake and discharge
- R290 Refrigerant

Shelving

- Adjustable tempered glass shelves. Shelves are adjustable up and down and can be tilted in two positions (0°/ 5 angle).
- Three tiers of shelves

Lighting

- 3500K LED top light and shelf lights

Agency Approvals

- DLC Certified, IP66 rated
- UL, C-UL, and UL Sanitation Listed to NSF-7, Type I conditions
- DOE 2017 Compliant

OPTIONAL ACCESSORIES

- | | |
|---|--|
| <input type="checkbox"/> Stainless Steel Shelving | <input type="checkbox"/> Joining Kit for Continuous Line-ups |
| <input type="checkbox"/> Condensate Pump | <input type="checkbox"/> Remote Condensor (EEV Included)
(R449a in Remote Applications) |
| <input type="checkbox"/> Cord & Plug (SC Models Only) | |
| <input type="checkbox"/> Reflective Rear Doors | |
| <input type="checkbox"/> Reflective Ends | |

*Additional options available on the website and price list.



WARRANTY*
One year Parts and Labor
2nd thru 5th year part only
service compressor
(U.S.A. and Canada)

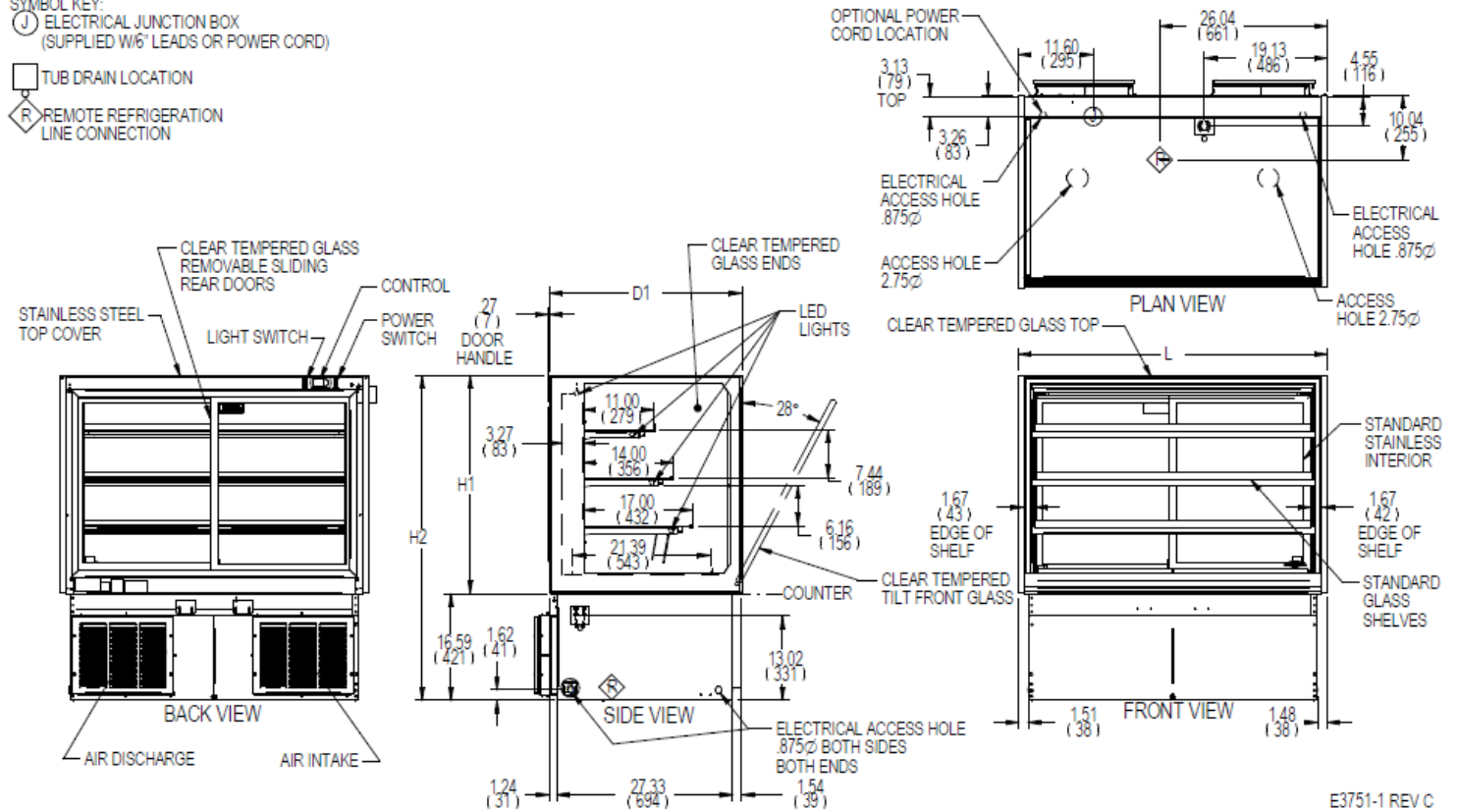
Note: Information is subject to change at any time. Visit www.federalind.com For the most current specs.

AIA #	Italian Glass Refrigerated 34" H Counter Display Case (Drop-In)
SIS #	Product Specifications

Intended Environment: Type I - Designed to operate in maximum ambient conditions of 75° F (24° C) and 55% humidity.		
Zone	Intended product to be displayed	Avg prod temp °F / °C
All	Packaged refrigerated products	38° F / (3.3° C)

DIMENSION: xx"/(mm)

- SYMBOL KEY:**
- J ELECTRICAL JUNCTION BOX (SUPPLIED W/6' LEADS OR POWER CORD)
 - TUB DRAIN LOCATION
 - R REMOTE REFRIGERATION LINE CONNECTION



E3751-1 REV C

MODEL	DIMENSION								COUNTER CUT OUT		SHELVING				DISPLAY AREA SQ IN	INTERIOR VOLUME CU FT	SELF CONTAINED				REMOTE				
	L	D1	D2	H1	H2	L	D	# OF TIERS	DT	DM	DB	L	PERMANENT CONNECT 2-WIRE + GROUND 120/60/1	OPTIONAL NEMA CORD & PLUG 2-WIRE + GROUND 120/60/1			REFRIGERANT	CONDENSATE REMOVAL	SHIP WEIGHT LBS	PERMANENT CONNECT 2-WIRE + GROUND 120/60/1	REFRIGERANT	CONDENSATE REMOVAL	SHIP WEIGHT LBS		
	in	in	in	in	in	in	in		in	in	in	in	AMPS	MAX FUSE SIZE					KILO	AMPS	MAX FUSE SIZE			KILO	
ITR3634	36.00	30.00	27.30	34.00	50.70	33.4	27.70	3	11	14	17	30.88	1980 SQ IN	15.5 CU FT	12.4	20	NEMA 5-20P	R290	CONDENSATE PAN	575 LBS	3.0	15	R449a	CONDENSATE PUMP	540 LBS
	914	762	693	864	1288	848	704		279	356	432	784	IN	FT										245 KILO	
ITR4834	48.00	30.00	27.30	34.00	50.70	45.4	27.70	3	11	14	17	42.88	2720 SQ IN	21 CU FT	12.4	20	NEMA 5-20P	R290	CONDENSATE PAN	750 LBS	3.0	15	R449a	CONDENSATE PUMP	700 LBS
	1219	762	693	864	1288	1153	704		279	356	432	1089	IN											317 KILO	
ITR6034	60.00	30.00	27.30	34.00	50.70	57.4	27.70	3	11	14	17	54.88	3470 SQ IN	26 CU FT	12.4	20	NEMA 5-20P	R290	CONDENSATE PAN	850 LBS	3.3	15	R449a	CONDENSATE PUMP	800 LBS
	1524	762	693	864	1288	1458	704		279	356	432	1394	IN											363 KILO	

- Refrigerated cases are designed to operate in a maximum of 80°F (27°C) ambient and 55% relative humidity.
- Due to continuing engineering improvements, specifications are subject to change without notice.
- Counter must have adequate ventilation for proper case performance.



FEDERAL INDUSTRIES
 A Standex Company
 215 Federal Avenue, Belleville, Wisconsin 53508-9201

Phone: 800-356-4206
Fax: 608-424-3234
Email: Geninfo@Federalind.com
Website: Federalind.com