

SANDWICH UNIT REFRIGERATOR

Model: SW60N18M-FB-D

Natural Refrigerant R-290 Model

60" Mighty Top Sandwich Unit Refrigerator with Drawers - 18 Pans Front Breathing

Stainless steel front, top and end panels, aluminum back and interior.



Options and Accessories

(upcharge and lead times may apply)

| | |
|--------------------------------|----------------------------|
| Stainless steel interior | Drawer locks |
| Stainless steel back | Rear mounted cutting board |
| Overshelves (single or double) | Composite cutting board |
| Flat lid | Crumb catcher |
| Vision panel lid | Modified pan opening |

Consult factory for other model configurations, options and accessories.

Project Name:

Model Specified:

Location:

Item No:

Quantity:

AIA #:

SIS #:

Standard Model Features

REFRIGERATION SYSTEM

Performance rated refrigeration system

Natural, environmentally safe, high efficiency R-290 refrigerant¹

Unique air flow distribution allows pan product to maintain 33° - 41°F

Automatic, hot gas condensate evaporator

Non-corrosive, plasticized fin evaporator coil

Easily serviceable, back mounted compressor

Expansion valve system

CABINET ARCHITECTURE

2" non-CFC polyurethane foam insulation

Smooth, polished chrome drawer handles

Stainless steel roll out drawers

Magnetic snap in Santoprene™ drawer gaskets

8" deep, full length nylon cutting board

Insulated lid

Completely enclosed, vented and removable case back

3 3/4" casters

MODEL FEATURES

(18) 1/6 size recessed pans, 4" deep

Electronic control, off-cycle defrost

Removable interior tub below pans

¹ R-290 refrigerant meets all federal and state regulatory requirements.

Front breathers are a unique, field assembled, bottom mounted ventilation system designed to allow cabinets to be flush against a wall or built into a counter to conserve space. For proper operation, the area under and in front of the cabinet must not be obstructed in any way.

Continental
Refrigerator



APPROVAL:

Model Specifications

DIMENSIONAL DATA

| | |
|--|--------------|
| Net Capacity (cubic feet) | 17.0 (481 l) |
| 1/6 Size Pans (4" deep) | 18 |
| Width, Overall (inches) | 60 (1524 mm) |
| Depth, Overall (inches) (including bumpers) | 35 (890 mm) |
| Depth, Cutting Board (inches) | 8 (203 mm) |
| Height, Overall (inches) (including 3 3/4" casters) | 41 (1041 mm) |
| Number of Drawers | 4 |

REFRIGERANT DATA

| | |
|-------------------------------|------|
| Condensing Unit Size (H.P.) | 1/3 |
| R-290 Refrigerant Charge (oz) | 5.2 |
| Capacity (BTU per hour)* | 2540 |

ELECTRICAL DATA

| | |
|--|---------------------|
| Voltage (International) | 115/60/1 (220/50/1) |
| Total Amps (International) | 5.2 (2.6) |
| 10 ft. Cord/Plug [attached] (International) | Yes (No) |

SHIPPING DATA

| | |
|--------------------------|------------------|
| Weight (pounds) | 475 (216 kg) |
| Height - Crated (inches) | 43 1/4 (1099 mm) |
| Width - Crated (inches) | 68 (1727 mm) |
| Depth - Crated (inches) | 37 1/4 (946 mm) |

DRAWER PAN CONFIGURATIONS

Two Tier: (1) 12 x 20 x 6 pan per drawer

* Rating @ +25°F evaporator, 90°F ambient
Figures in parentheses reflect metric equivalents rounded to the nearest whole unit.



Equipped with one NEMA-5-15P Plug
(varies by country)

Continental[®]

Refrigerator

Toll-Free: 800-523-7138
Phone: 215-244-1400
Fax: 215-244-9579

539 Dunksferry Road
Bensalem, PA 19020
www.continentalrefrigerator.com

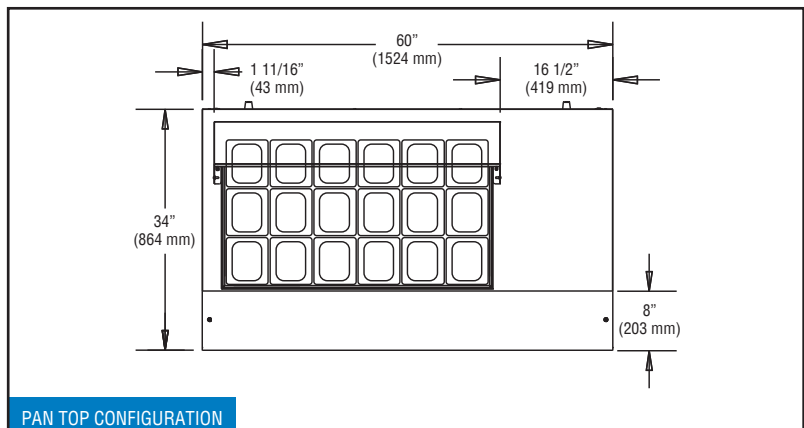
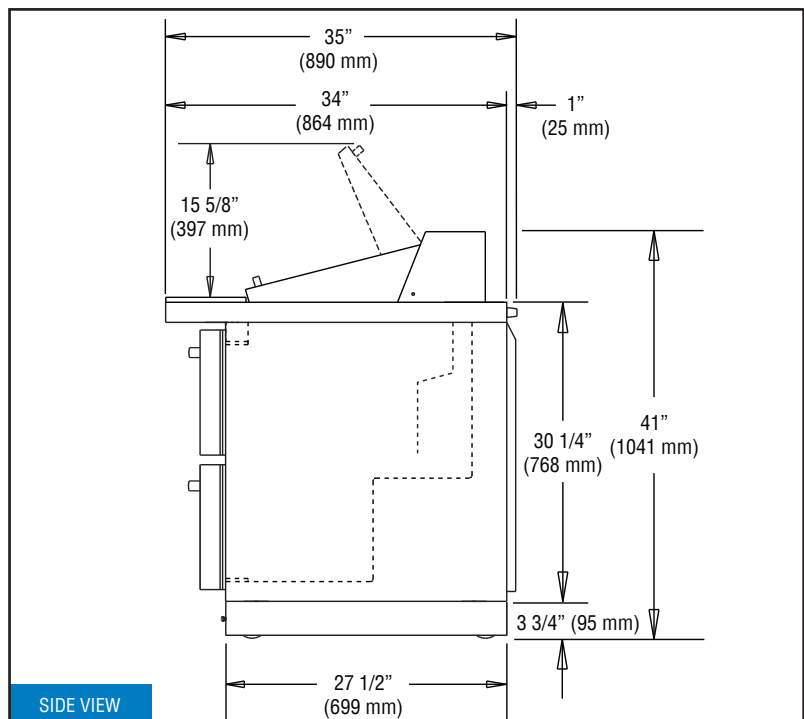
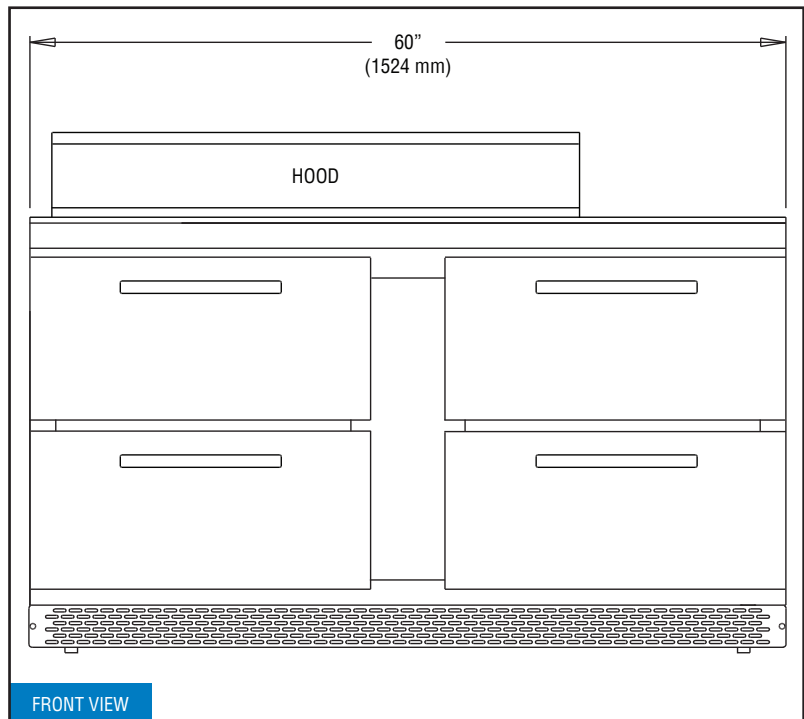
Due to our continued efforts in developing innovative products, specifications subject to change without notice.



PROUDLY
DESIGNED & ASSEMBLED
IN THE U.S.A.

© Copyright 2021. Continental Refrigerator.
A Division of National Refrigeration & Air Conditioning Products, Inc.

Model Plan Views



REVISED: 12/4/25