



The Signature of Quality

FEDERAL INDUSTRIES

A Standex Company

215 Federal Avenue  
Belleville, Wisconsin 53508-9201

Phone: 800-356-4206

Fax: 608-424-3234

Email: Geninfo@Federalind.com

Website: Federalind.com

Project Name: \_\_\_\_\_

Item #: \_\_\_\_\_

Model #: \_\_\_\_\_ Qty: \_\_\_\_\_

Approval: \_\_\_\_\_

AIA #

SIS #

VISION SERIES - High Profile Self-Serve Refrigerated Case - 60"

Designed with impulse sales in mind. Get maximum return from an attention-grabbing case and increase profits.



Model VRSS3660C Solid Ends Shown

MODEL	DIMENSIONS (Includes End Panels)
<input type="checkbox"/> VRSS3660C	36 x 33 x 60 (in) 914 x 838 x 1524 (mm)
<input type="checkbox"/> VRSS4860C	47.25 x 33 x 60 (in) 1200 x 838 x 1524 (mm)
<input type="checkbox"/> VRSS6060C	59.25 x 33 x 60 (in) 1505 x 838 x 1524 (mm)
<input type="checkbox"/> VRSS7260C	71.25 x 33 x 60 (in) 1810 x 838 x 1524 (mm)

STANDARD FEATURES

Model Features

- Black interior including shelves
- Stainless steel display deck
- Tempered glass ends
- Black powder coated base frame
- Moisture resistant lower end panel construction
- Choice of standard colors on lower end panel
- Black trim
- Adjustable leg levelers
- Cord & 90 degree plug, self-contained only
- Front air intake / front discharge
- Energy saving night curtain
- Matches profile of the VRSS & VHSS models

Refrigeration

- R290 Refrigerant
- Electronic temperature control maintains 38° - 40°F (3.3° - 4.4°C) Note: Case temperatures will vary if the air curtain is disrupted.
- Digital thermometer
- Clear coil on demand defrost
- #
- Coated evaporator coil

Shelving

- Two tiers of adjustable black metal shelves with black price tag molding.
- Shelves can be flat or slanted down at 10°

Lighting

- 3500K LED top light

Agency Approvals

- UL, C-UL, and UL Sanitation listed to NSF-7, Type I conditions
- DOE 2017 compliant

OPTIONAL ACCESSORIES

- 3500K LED lights below shelves
- White interior (including shelves)
- Stainless steel interior (including shelves)
- Stainless steel or glass shelves in lieu of black
- Deli meat pegs
- Additional lighted 3500K LED shelf
- High output condo pan - self-contained units only
- Condensate evaporator assembly (field install) (separate 120V, 20A circuit required) (remote only)
- Remote refrigeration with condensate pump (EEV included)
- Self-cleaning condenser
- Rear air intake and discharge
- Stainless steel exterior finish
- Graphics package
- Solid end panels (mirrored interior)
- Reflective end glass
- Clear or reflective glass, sliding rear doors (Solid hinged on 36" cases)
- 6" legs (152mm)
- Seismic legs
- Skirt w/4" casters or legs
- 2 1/2" (63.5mm) recessed or 4" (101.6mm) casters (self-contained models only) (Weight limits may apply)
- Joining kit for continuous line-ups (not available with casters)
- Front wire display basket
- Front cart bumper
- Black polycarbonate removable locking security cover

\*Additional options available on the website and price list



WARRANTY\*  
One year Parts and Labor  
2nd thru 5th year part only  
service compressor  
(U.S.A. and Canada)

Note: Information is subject to change at any time. Visit www.federalind.com for the most current specs.

AIA #	VISION SERIES - High Profile Self-Serve Refrigerated Case - 60"
SIS #	Product Specifications

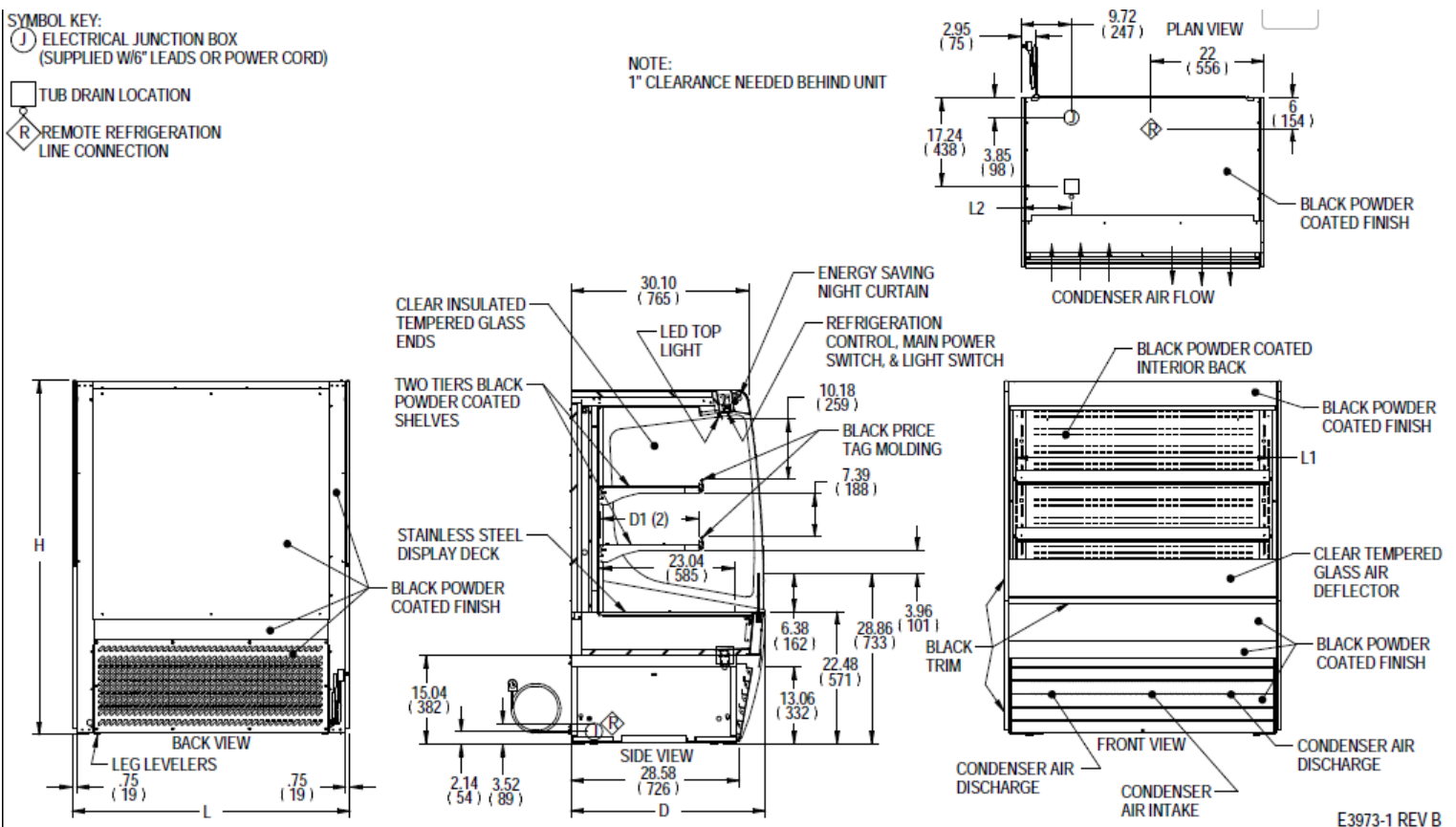
Intended Environment: Type I - Designed to operate in maximum ambient conditions of 75°F (24°C) and 55% relative humidity.		
Zone	Intended Product To Be Displayed	Avg Prod Temp °F/°C
All	Packaged Refrigerated Products	38°F / (3.3°C)

**DIMENSION: xx"/(mm)**  
**DIMENSION TOLERANCE +/- 0.25 (6.4)**

SYMBOL KEY:

- SYMBOL KEY:
- Ⓝ ELECTRICAL JUNCTION BOX (SUPPLIED W/6" LEADS OR POWER CORD)
  - TUB DRAIN LOCATION
  - Ⓡ REMOTE REFRIGERATION LINE CONNECTION

NOTE:  
1" CLEARANCE NEEDED BEHIND UNIT



E3973-1 REV B

MODEL	DIMENSIONS				TUB DRAIN	SHELVING		INTERIOR VOLUME CU FT	ELECTRICAL	STANDARD CONNECTION CORD & PLUG			SELF CONTAINED					REMOTE							
	L	D	H	L2		# OF TIERS	L1			D1	2 WIRE + GROUND	AMPS	MAX FUSE SIZE	NEMA CORD &	REFRIGERANT	CONDENSATE REMOVAL	SHIP WEIGHT	PERMANENT CONNECT		REFRIGERANT	BTU'S @ +20°	CONDENSATE REMOVAL	SHIP WEIGHT		
	in	in	in	in			AMPS			MAX FUSE								AMPS	MAX FUSE					KILO	KILO
	mm	mm	mm	mm			mm			mm								mm	mm					LBS	LBS
VRSS3660C	36	33	60	6.74	2	32.25	16.634	13.98	120/60/1	16	20	NEMA 5-20P	R290	INTEGRATED PAN	535	-	-	-	-	-	-	490			
	914	838	1524	171		819	423								243							222			
VRSS4860C	47.25	33	60	13.49	2	43.25	16.634	18.48	208-240/60/1	11	15	NEMA 6-15P	R290	INTEGRATED PAN	620	3.0	15	R454C	9,580	PUMP	-	580			
	1200	838	1524	343		1099	423								281							263			
VRSS6060C	59.25	33	60	14.12	2	55.25	16.634	23.39	208-240/60/1	16	20	NEMA 6-20P	R290	INTEGRATED PAN	755	3.5	15	R454C	11,200	PUMP	-	710			
	1505	838	1524	359		1403	423								342							322			
VRSS7260C	71.25	33	60	20.12	2	67.25	16.634	28.30	208-240/60/1	16	20	NEMA 6-20P	R290	INTEGRATED PAN	845	3.5	15	R454C	12,300	PUMP	-	800			
	1810	838	1524	511		1708	423								383							363			

- Due to continuing engineering improvements, specifications are subject to change without notice.
- Case temperature will vary if the air curtain is disrupted.



**FEDERAL INDUSTRIES**  
 A Standex Company  
 215 Federal Avenue Belleville, Wisconsin 53508-9201

**Phone:** 800-356-4206  
**Fax:** 608-424-3234  
**Email:** Geninfo@Federalind.com  
**Website:** Federalind.com