

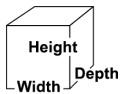
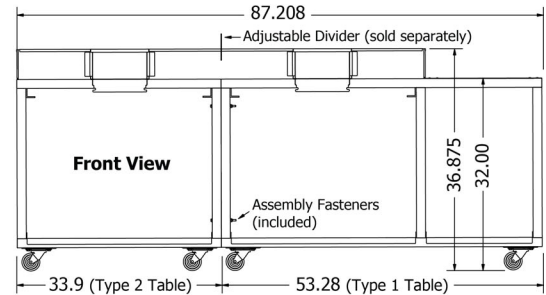
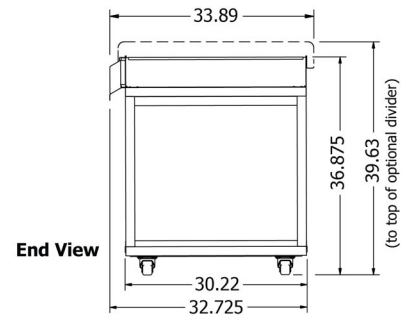
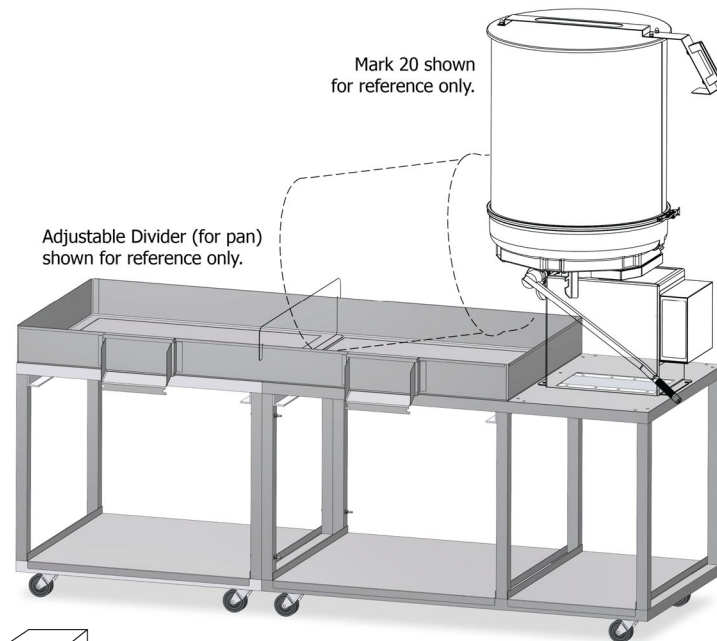


GOLD MEDAL® PRODUCTS CO.

Single Karmel Kool Stand (Mark 10/20)

Model No. 2622-00-100

Specifications



Model shown with Corn Treat Unit for reference only (items sold separately).

Overall Dimensions:

Width: 87.208" (221.5 cm)

Depth: 32.725" (83.1 cm)

Height: 36.875" (93.7 cm)

See image above for dim. references.

Agency specifications below are for Karmel Kool Stand only.

Features:

- Type 1 & Type 2 Table (w/casters); (2) Large Shelves; Small Shelf; Large Cooker Plate.
- 60" Pan (includes chute doors). Optional Divider for pan (PN 105099) is available (sold separately).
- (2) Blank Pan Inserts (no holes).
- Stainless steel parts construction; aluminum frame
- **Modular System** (packed separately for easier shipping/unloading).
 - Crated modules movable with pallet jack.
 - Fits standard size doorways (reference module dimensions shown above; pan is removable).
 - Module assembly req'd by customer (fasteners incl.)

Cooker Specifications:

- **Table fits:** (1) Mark 10 or Mark 20 Corn Treat Unit (sold separately); Mark 20 requires a 60" pan.
- Refer to the Cooker Spec Sheet for unit specs/approvals.

Agency Approvals:



Gold Medal Products Co.
10700 Medallion Drive, Cincinnati, OH 45241

Ph: (513) 769-7676, (800) 543-0862; Fax: (513) 769-8500
gmpopcorn.com info@gmpopcorn.com