

Handles

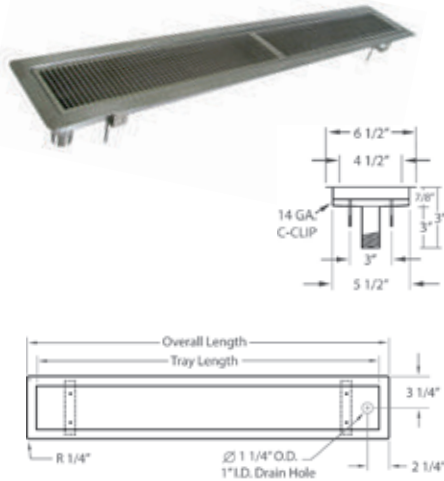
• **Note:** Has 10-24 Threading, 1" or 3/8" Screws Available, Please Specify Size Screw Needed

	Part #	Description	Sold In Case Pack
A	BKSDRWPL	S/S Drawer Pull w/ Full Grip	100
B	BKSSRPD	S/S Recessed Sliding Door Pull	100
V	BK-TH-12	12" Tubular Handle 1" O.D. Tubing	100

BK-URTR - Urn Trough w/ Drip Plate

- T-304 Stainless Steel
- Removable Drip Plate
- 7/8" Deep Tray
- 1" Flush Mount Trim Plate
- 1/4" Rounded Corners on Trim Plate
- 1 1/4" O.D. Drain

Part #	Tray Length:	Overall Length:
BK-URTR-18	18"	20"
BK-URTR-24	24"	26"
BK-URTR-36	36"	38"
BK-URTR-48	48"	50"
BK-URTR-60	60"	62"
BK-URTR-72	72"	74"



BK-04000126
S/S Lid Cover Brackets

- Overall Dimensions: 3" x 2 5/8" (t)
- 1/2" Mounting Lip



BK-KPSC-1
Kick Plate Spring Clamp

- Fits 1 5/8" and 2" Legs
- Heavy Duty



BK-SOPB
Single Outlet Pedestal Box

- Brushed Cast Aluminum



HDPE-N - Poly



- Cutting Boards and Food Preparation
- Food Processing - Manufacturing and Components
- Commercial or Residential Use
- High Density Polyethylene HDPE
- Heavy Duty for Longer
- Non-Absorbent
- Solid Surface

Part Number	Description
HDPE-N-1/2-55121	1/2" HDPE 55" X 121" White
HDPE-N-3/4-55121	3/4" HDPE 55" X 121" White
HDPE-N-1-55121	1" HDPE 55" X 121" White

New & Improved
ALL Stainless Steel



BK-DVEK
Drain Valve Extension Kit

- ALL T-304 Stainless Steel
- Standard with 1/2" Valves