

# Mobile Condiment Cart - Bag-N-Box System

## Standard Features

**FRAME:** Featuring frameless construction utilizing 16 gauge stainless steel formed end panels with 14 gauge bottom channels and 1 1/4" square tubing top frame.

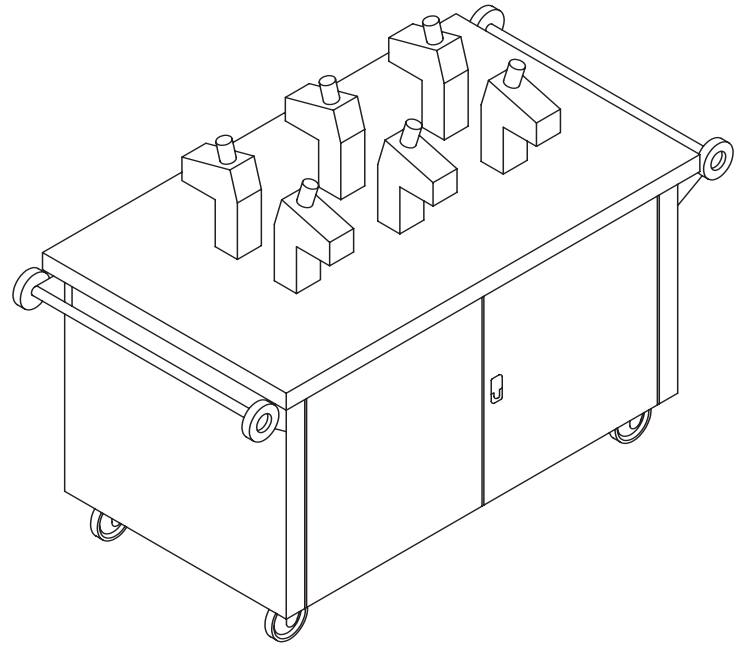
**CASTERS:** Heavy duty 5" diameter plate casters with gray rubber tires. Brake models to be supplied on all casters.

**TOP:** DuPont Corian 1/2" solid surface top material (color as selected)

**CONDIMENT PUMPS:** Double doors on each side offer access to fold down shelf with 3 condiment bags per side.

**PLASTIC LAMINATE:** Access doors on each side available in plastic laminate finish (color as selected).

**STAINLESS STEEL SPECIFICATION:** All stainless steel to be type 304 with number 3 finish.

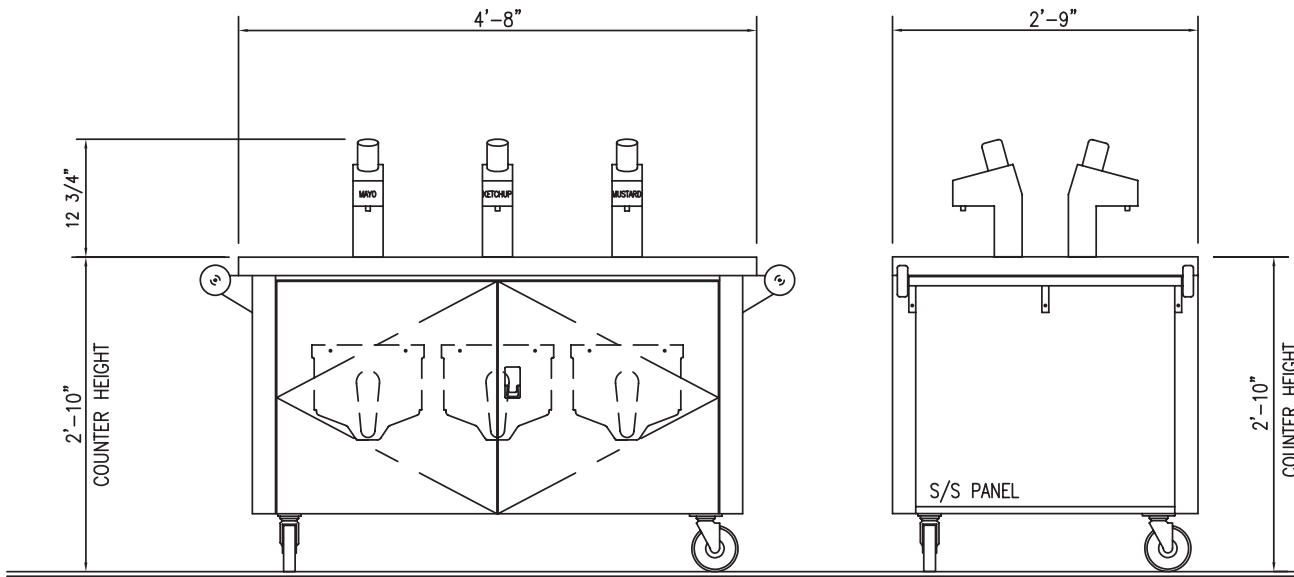


MODEL	DIMENSIONS	SHIP WEIGHT
MCT-CC6	56" L x 33" W x 34" H	360 lbs



2320 Peyton Houston, Texas 77032  
Phone 281-442-8001 Toll Free: 888-955-5463 Fax: 281-442-3351 [www.mod-u-serve.com](http://www.mod-u-serve.com)

# Mobile Condiment Cart - Bag-N-Box System



## Optional Features

**FRONT BODY PANEL:** Ceramic tile front panel.

**TRAYSLIDE:** Stainless steel or Corian® trayslide mounted on fold down brackets. Stainless steel tubular trayslide also available, on fold down brackets.

**ADDITIONAL WARRANTY:** Additional 12 month limited warranty on parts and labor.

**OPTIONAL COUNTER/TRAYSLIDE HEIGHT:**

Elementary schools - 34" counter/30" trayslide

Middle School - 34" counter/ 32" trayslide

High School - 36" counter/34" trayslide

For options / accessories / modifications not shown, please contact factory.



Mod-U-Serve reserves the right to modify specifications or discontinue models without notice or incurring obligation.



2320 Peyton Houston, Texas 77032

Phone 281-442-8001 Toll Free: 888-955-5463 Fax: 281-442-3351 [www.mod-u-serve.com](http://www.mod-u-serve.com)

MUS.27 11/05