



Outperform every day.™

Project:
Item Number:
Quantity:

TWO WELL HOT MODULES



DESCRIPTION

Vollrath's two-well drop-ins keep hot foods at proper serving temperatures. They are designed for top-mount installation and do not require hard-wiring

SHORT DESCRIPTION

Two-well hot-drop-in, flange and full-size wells, 300 series stainless steel, standard or manifold drains, insulated on all non-exposed sides, cord with plug, stainless steel remote control panel, mounting clips.

Note: Orders for drop-ins cannot be canceled or returned.

Note: Drop-in meets NSF4 performance standards only when using moist heat. Operation with water is required for even heating of the food product.

| Item Numbers | | | Description | |
|----------------------------|----------|-----------------------|--------------|---------|
| Standard | Manifold | Manifold w/ Auto-Fill | Control | Voltage |
| 1000 Watts Per Well | | | | |
| 3639901 | 3639951 | 3639961 | Infinite | 120 |
| 3639911 | 3639971 | 3639981 | Thermostatic | |
| 3640001 | 3640051 | 3640061 | Infinite | 208-240 |
| 3640011 | 3640071 | 3640081 | Thermostatic | |
| 625 Watts Per Well | | | | |
| 36399 | 3639950 | 3639960 | Infinite | 120 |
| 3639910 | 3639970 | 3639980 | Thermostatic | |
| 36400 | 3640050 | 3640060 | Infinite | 208 |
| 3640010 | 3640070 | 3640080 | Thermostatic | |
| 36472 | 3647250 | 3647260 | Infinite | 240 |
| 3647210 | 3647270 | 3647280 | Thermostatic | |

FEATURES

- Top flange and drawn well are 300 series stainless steel
- Include gasket for under drip edge
- Standard drain is ½" (1.3 cm) with individual well ball valves
- Manifold drain is 1" (2.5 cm) copper tubing with master manifold shut off
- Insulated on all sides, including between each well
- Includes 6' (1.8 m) cord with plug. Does not require hard-wiring
- Stainless steel control panel with individual controls and power indicator light for each well
- Control panel has 4' (121.9 cm) tethered connection for flexible mounting locations
- Includes standard mounting clips for use on counters up to 3" (7.6 cm) thick for easy installation
- Accepts full-size and fractional pans up to 6" (15.2 cm) deep
- Adapter bars are recommended when using fractional pans

WARRANTY

All models shown come with Vollrath's standard warranty against defects in materials and workmanship. For full warranty details, please refer to www.Vollrath.com.

ACCESSORIES

- Sheet pan adapter available. Item No. 19186.

CLEARANCE AND ENVIRONMENT REQUIREMENTS

- Zero-clearance installation
- Indoor use only. Room temperature and HVAC can effect performance temperatures

Agency Listings



Due to continued product improvement, please consult www.vollrath.com for current product specifications.

| Approvals | Date |
|-----------|------|
| | |



Outperform every day.™

www.vollrath.com

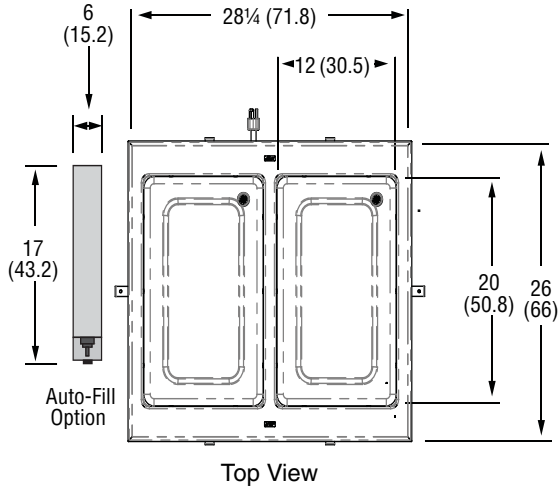
The Vollrath Company, L.L.C.

1236 North 18th Street
Sheboygan, WI 53081-3201 U.S.A.
Main Tel: 800.624.2051 or 920.457.4851
Main Fax: 800.752.5620 or 920.459.6573
Customer Service: 800.628.0830
Canada Customer Service: 800.695.8560

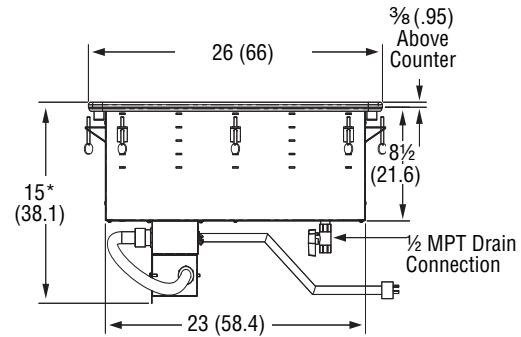
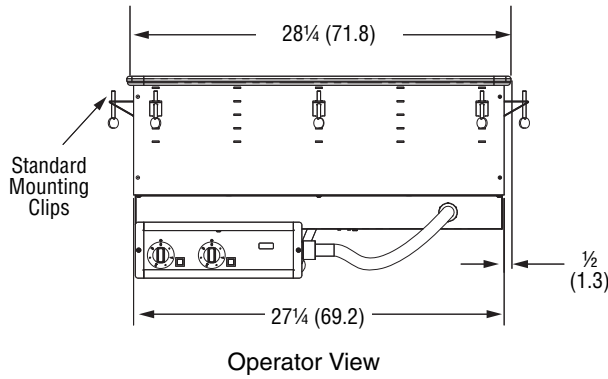
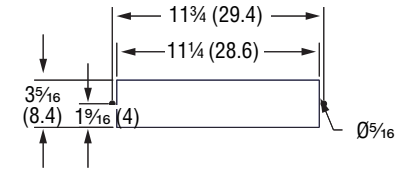
Technical Services
techservicereps@vollrathco.com
Induction Products: 800.825.6036
Countertop Warming Products: 800.354.1970
All Other Products: 800.628.0832

TWO WELL HOT MODULES

DIMENSIONS (Shown in inches (cm))



Control Panel Cutout



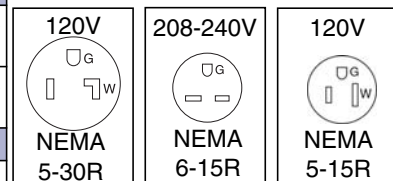
*Manifold drain adds 6 1/2 (16.5) to overall height

ELECTRICAL SPECIFICATIONS

| Standard | Manifold | Manifold w/ Auto-Fill | Control | Cutout Dimension IN (CM) | Voltage | Amps | Plug |
|----------------------------|----------|--------------------------|--------------|----------------------------------|---------|---------|---------------|
| 1000 Watts Per Well | | | | | | | |
| 3639901 | 3639951 | 3639961 | Infinite | 27 1/2 x 25 1/4 (69.9 x 64.1) | 120 | 16.7 | NEMA 5-30P |
| 3639911 | 3639971 | 3639981 | Thermostatic | | | | |
| 3640001 | 3640051 | 3640061 | Infinite | | 208-240 | 7.2-8.3 | NEMA 6-15P |
| 3640011 | 3640071 | 3640081 | Thermostatic | | | | |
| 625 Watts Per Well | | | | | | | |
| 36399 | 3639950 | 3639960 | Infinite | 27 1/2 x 25 1/4 (69.9 x 64.1) | 120 | 10.4 | NEMA 5-15P |
| 3639910 | 3639970 | 3639980 | Thermostatic | | | | |
| 36400 | 3640050 | 3640060 | Infinite | | 208 | 4.5 | NEMA 6-15P |
| 3640010 | 3640070 | 3640080 | Thermostatic | | | | |
| 36472 | 3647250 | 3647260 | Infinite | | | | |
| 3647210 | 3647270 | 3647280 | Thermostatic | | | | |

Note: Note: Cutout must have a 7/8" (2.2 cm) corner radius.

Straight Blade Receptacles



NOTICE: Do NOT modify the cord or plug on the drop-in. Modifying any component may damage the drop-in or cause injury, and will void the warranty.



Outperform every day.™

www.vollrath.com

The Vollrath Company, L.L.C.

1236 North 18th Street
Sheboygan, WI 53081-3201 U.S.A.
Main Tel: 800.624.2051 or 920.457.4851
Main Fax: 800.752.5620 or 920.459.6573
Customer Service: 800.628.0830
Canada Customer Service: 800.695.8560

Technical Services
techservicereps@vollrathco.com
Induction Products: 800.825.6036
Countertop Warming Products: 800.354.1970
All Other Products: 800.628.0832