

Mobile Curved Bar

Laminate/Stainless Steel

Models 76811, 76814

Spec.



Model 76811



Model 76814

The Perfect Accompaniment For Serving Craft Cocktails

Benefits

- Rolls easily to remote serving locations
- Rugged plywood construction

Features

- Striking curved front design
- Stainless steel interior work shelf/area
- 40 lb. ice bin(s)
- Detachable bottle speed rails
- Interior storage compartments
- Wide choice of laminate exteriors
- Choice of solid surface bar tops
- Concealed casters provide built-in look

Casters

- 6 each all-swivel non-marking with cushion tread 4" wheels, two with brake

AIA #

Specifications:

Unit shall have durable plywood curved construction with decorative laminate exterior and stainless steel interior work area. Interior work shelf shall include stainless steel 40 lb. ice bin(s) with drain. Lower interior shall include convenient storage compartments for glass racks and other supplies. Top shall be of solid surface material in choice of colors. Front exterior shall include top trim and bottom caster skirt of brushed stainless steel. Unit shall include 2 ea. detachable 7-bottle speed rails. Casters (6 ea.) shall be all-swivel with 4" non-marking cushion tread wheels, two each with brake.

Lakeside Manufacturing, Inc.

4900 West Electric Avenue • West Milwaukee, WI 53219 U.S.A.
800-558-8565 • 414-902-6400 • Fax 414-902-6446 • info@elakeside.com • www.elakeside.com/foodservice

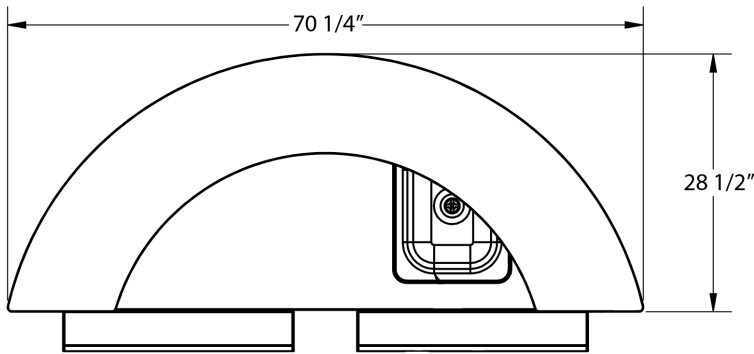
Mobile Curved Bar

Laminate/Stainless Steel

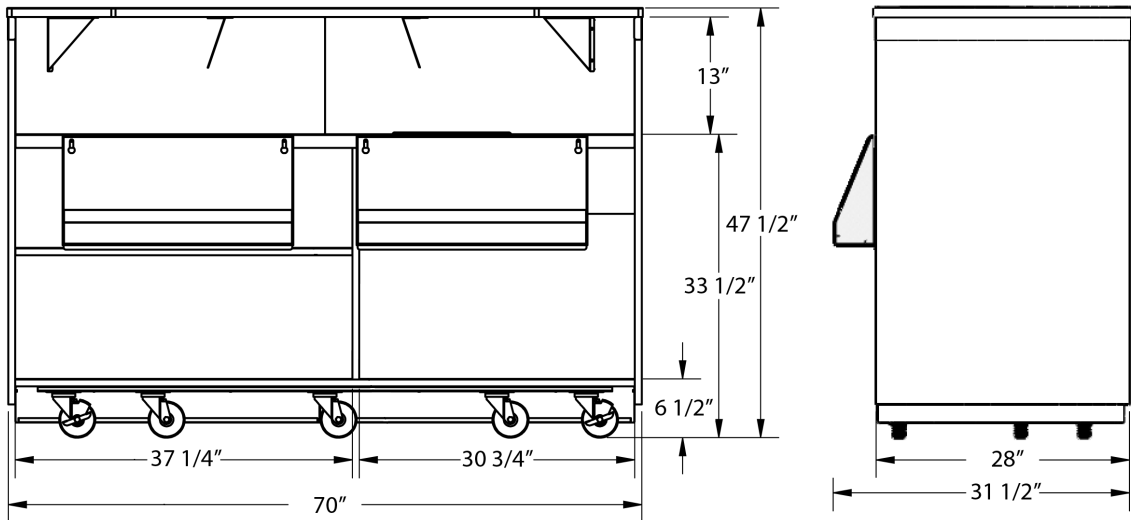
Models

76811

76814



Model
76811



Product Information

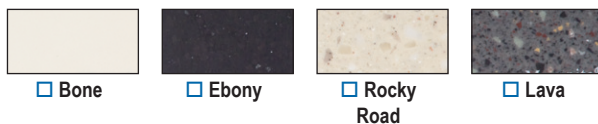
Model	Overall Size			No. of Ice Bins	Case Wt. Lbs.
	W	D*	H		
76811	70 1/4" (1784)	31 1/2" (800)	47 1/2" (1207)	1 ea.	378 (171 kg)
76814	90" (2286)	31 1/2" (800)	47 1/2" (1207)	2 ea.	410 (186 kg)

* With removable speed rails. Dimensions in () denote metric millimeters, unless otherwise noted.

Available Laminate Finishes



Available Solid Surface Bar Tops



Custom Laminate Finishes
And Solid Surface Tops Available.



Lakeside Manufacturing, Inc.
4900 West Electric Avenue • West Milwaukee, WI 53219 U.S.A.
800-558-8565 • 414-902-6400 • Fax 414-902-6446
info@elakeside.com • www.elakeside.com/foodservice