



Electric **CONVECTION OVEN**

Features

- Temperature range: 150°-500°F (66°-260° C)
- Independent doors with full view windows
- 2-speed, ½ HP fan motor (1725, 1140 rpm) for even heat distribution and Forced 'cool down' fan mode
- Exterior stainless front, top and sides
- Porcelain enamel oven interior for easy cleaning
- 5 nickel plated Heavy Duty racks, 11 rack position
- Exterior stainless front, top and sides



IECO



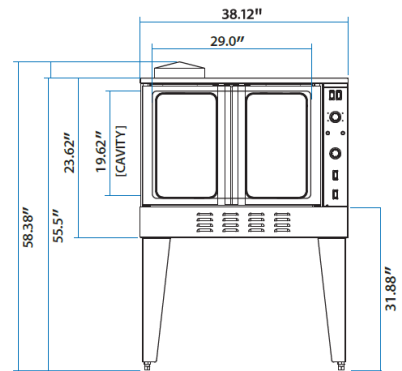
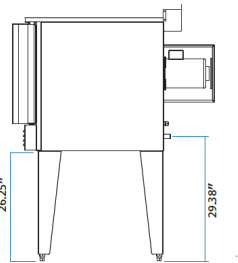
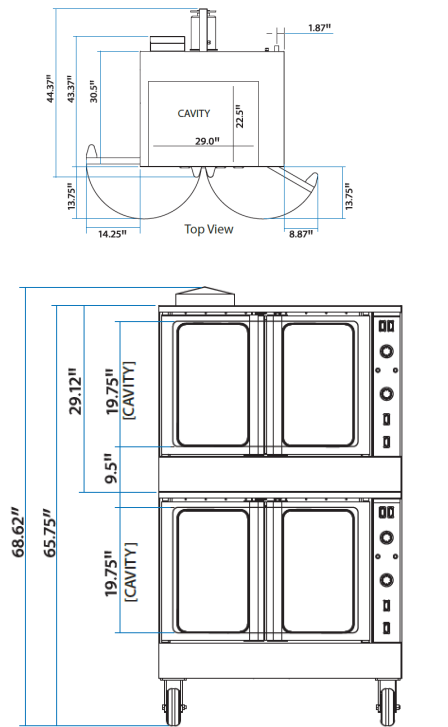
IECO-2



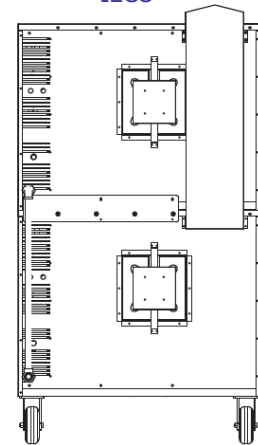
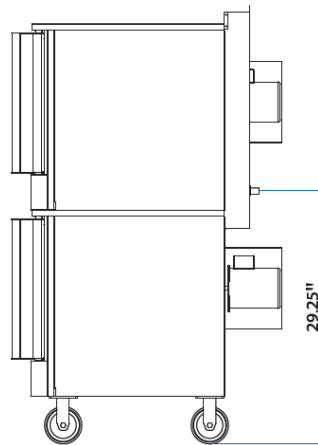


Electric CONVECTION OVEN

Dimensions in inches



IECO



IECO-2

Specifications

Model	Overall Dimensions	Oven Interior	Rack Clearance	Shipping Crate(s)
IECO	38.12"W x 44.37"D x 60"H (96.8cm x 112.7cm x 152.4cm)	29" W x 22.5" D x 19.37" H (74cm x 57cm x 50cm)	28"W x 21"D (72cm x 53.3cm)	45.3"W x 49.2" D x 37" H, 48 cu ft., 511 lbs (115cm x 125cm x 99cm, 1.35 cu m., 232kgs)
IECO-2	38.12"W x 44.37"D x 65.62"H (96.8cm x 112.7cm x 166.7cm)	29" W x 22.5" D x 19.37" H (74cm x 57cm x 50cm)	28"W x 21"D (72cm x 53.3cm)	2 Single Oven Crates, Total, 96cu ft., 1022 lbs. (2.7cu m., 464kgs.)

- IECO Includes leg and caster kit
- IECO-2 Includes stacking kit

Leg or Stacking Kits	Shipping Carton	Weight
IECO SINGLE LEG AND CASTER KIT	29.9"W x 18.1"D x 8.7"H (76cm x 46cm x 22cm)	41lb 18.5kg
IECO DUAL STACKING KIT	38.2"W x 11.8"D x 6.7"H (97cm x 30cm x 17cm)	35lb 16kg

