

SEAGATE



2 Door 44.7 cu/ft Merchandiser Refrigerator SKU: S45GDM

- Spacious: Offers 44.7 cu ft capacity.
- Durable: Stainless steel exterior, painted aluminum interior.
- Efficient: Low energy usage (3.374 kW.h/24h).
- Convenient: Self-closing glass door, efficient LED lighting.
- Certified: ETL Listed, ETL Sanitation, DOE Certified.
- Mobility: Bottom-mounted, locking casters.
- Powerful: 1/5 HP compressor.
- Sleek: Black painted steel, swing-style glass door.



Refrigerant	R290
Horsepower (HP)	1/5
Voltage (V)	115V
KW per 24h	3.374
Wattage	440
Weight (lbs)	190
Shipping Weight (lbs)	210
Interior Material	White Painted Aluminum
Exterior Material	Black Painted Steel
Color	Black
Door Style	Swing
Door Type	Glass
Compressor Location	Bottom Mounted
Shelf Capacity (lbs)	85
Plug Type	NEMA 5-15P
Reversible Doors	Yes
Features	LED Light
Temp Controller	Digital

Introducing our premium one-door commercial merchandiser glass door refrigerator, model S45GDM, meticulously designed to deliver outstanding performance and reliability for your commercial kitchen. This merchandising glass door refrigerator offers a spacious interior with precise measurements of 54 inches in width, 33 1/2 inches in depth, and 83 inches in height, providing ample storage with a capacity of 44.7 cubic feet, perfect for showcasing your products.

Crafted with a robust painted black steel exterior and a clean, easy-to-maintain painted aluminum interior, this unit combines durability with a clean and hygienic appearance. The substantial 2-inch insulation, using cyclopentane, ensures excellent temperature control, keeping your products fresh and enticing.

Item	Width (Inch)	Depth (Inch)	Height (Inch)
Exterior	54	33 1/2	83
Interior	49 3/8	27 3/4	61 1/2

Capacity (Cu Ft)	Number of Shelves	Number of Doors
44.7	8	2

- **Heavy-duty:** Durable black painted steel, easy-to-maintain white painted aluminum interior, dependable 304 stainless steel floor.
- **Spacious:** Ample with 8 epoxy-coated shelves, supports up to 85 pounds each.
- **Insulated:** Superior 2-inch insulation, precise temperature control.
- **Powerful:** High-powered 1/5 HP compressor, top-tier reliability and efficiency.
- **Efficient:** Low energy consumption with hydrocarbon based natural R290 refrigerant.



Seagate Refrigeration | Burkett Restaurant Equipment and Supplies: 419-720-8186 | sales@burkett.com

Note: Specifications subject to change without notice
Do not use in non-commercial or residential settings

Equipped with eight sturdy shelves, each capable of holding up to 85 pounds, you'll have plenty of space to display your merchandise effectively. The built-in LED lighting guarantees clear visibility of your products, attracting customers with its appealing presentation.

This commercial merchandiser glass door refrigerator is energy-efficient, utilizing eco-friendly R290 refrigerant and powered by a 1/5 horsepower compressor operating at 115V. It consumes minimal energy, costing only 3.374 kW per 24 hours, resulting in long-term cost savings.

Amps	Hertz	Door Self Closed	Temperature Range
4.6	60hz	Yes	32~44.6
Phase	Plastic Food Pans (inch)	Shelves size	Caster Size (Inch)
Single-phase	12" x 20"	24"x24.5"	5"

The **Seagate** brand is synonymous with quality, and this merchandiser glass door refrigerator upholds that reputation. Whether you're in the food service industry or running a commercial kitchen, you can trust this unit to keep your merchandise at the right temperature, preserving its quality and attractiveness.

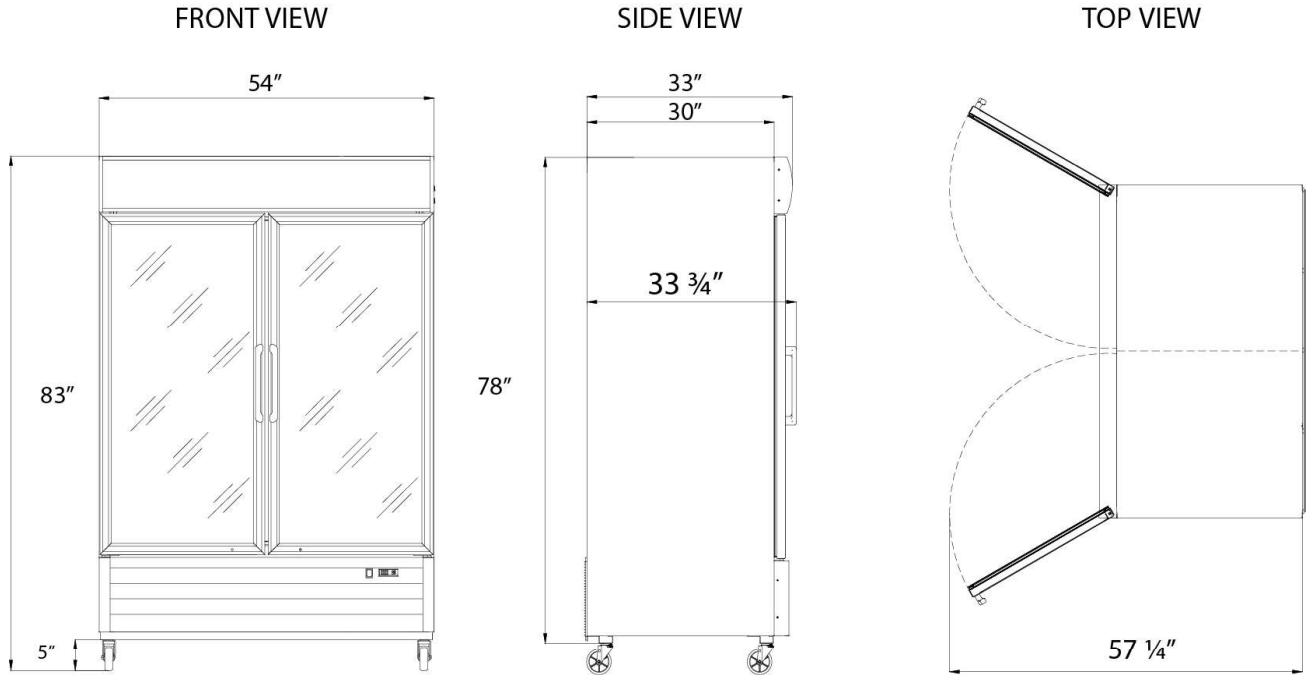
2 Door 54" Merchandiser Refrigerator SKU: S45GDM

The self-closing glass door adds convenience and saves energy by ensuring a proper seal at all times. Moving it around is effortless with bottom-mounted, locking 5-inch casters that provide stability and mobility.



Invest in the future of your business with our S45GDM one-door merchandiser glass door refrigerator, perfect for your merchandising needs. It's a powerful, energy-efficient, and reliable addition to any kitchen, designed to meet your needs for years to come. Explore our selection of commercial merchandising glass door refrigerators and other equipment to optimize your business operations. Elevate your offerings with **Seagate**.

Technical Data:



2 Door 54" Merchandiser Refrigerator SKU: S45GDM

Seagate's Comprehensive Warranty:

