

"42PB-2D" PRO-BOWL COMPARTMENT SINKS

2 Compartment w/2 Drain Boards - 14GA w/Stainless Steel Base

FEATURES:

- Standard 14GA Type 300 Stainless Steel w/#4 Polish, Satin Finish
- 12" Or 14" Deep Bowls
- All Corners, Both Vertical & Horizontal, Coved At 5/8" Radius
- Bottoms Of Bowls Formed For Drainage To 3-1/2" Diameter Die Stamped Opening
- Full Length 10" High Boxed Backsplash, With 2" Return To Wall At 45 Degree & 3/4" Turned Down Rear Lip
- 8" On-Center, 1" Faucet Holes In Backsplash
- Solid Stainless Steel Front Panel, Type 300 Stainless Steel w/#4 Polish, Satin Finish
- All Outside Corners Of Assembly Are Bullnosed To Provide Safe, Clean, & Polished Edge



SPECIFICATIONS:

- Top: Stainless Steel Sinks Are Tig Welded, Exposed Welds Are Polished To Match Adjacent Surface
- Base: Stainless Steel Bases, Standard Knocked-Down
- Bowls & Top: 14GA Type 300 Stainless Steel w/#4 Polish, Satin Finish
- Legs: 1-5/8" Round O.D. Stainless Steel
- Bracing: 1-1/4" Round O.D. Stainless Steel
- Gussets: Stainless Steel
- Feet: 1" Adjustable Stainless Steel Bullet Feet

CERTIFICATIONS:



ACCESSORIES

MODEL

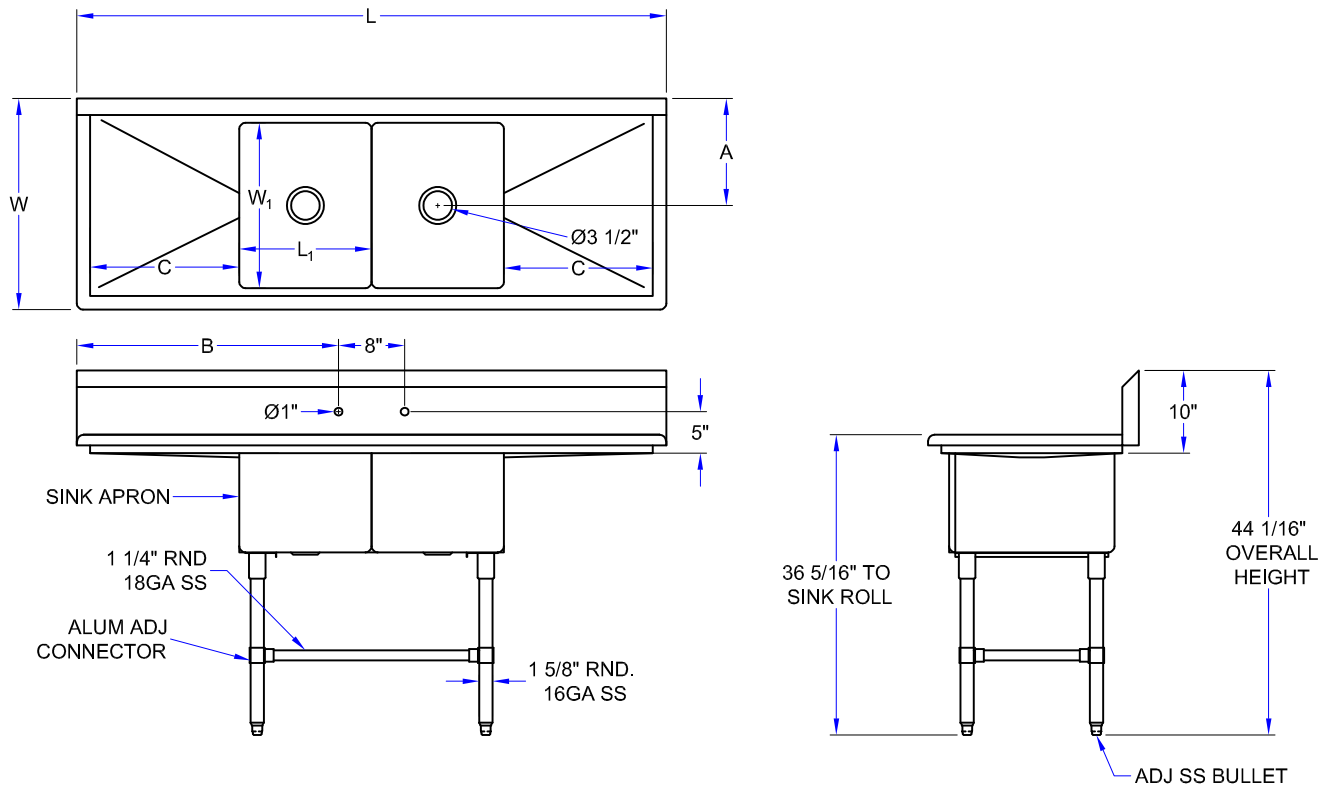
- End Splashes, R, L, Or Both
- Faucets
- Add-A-Faucets
- Pre-Rinse Units
- Lever Waste
- Overshelves
- Pot Rack

"42PB-2D" PRO-BOWL COMPARTMENT SINKS

12" DEEP (D')	WT. (LBS)	14" DEEP (D')	WT. (LBS)	OVERALL LENGTH (L)	OVERALL WIDTH (W)	INSIDE LENGTH (L')	INSIDE WIDTH (W')	A	B	C
42PB1618-2D18	108	42PB16184-2D18	114	71-1/4"	23-1/2"	16"	18"	11-15/16"	31-5/8"	18"
42PB1618-2D24	118	42PB16184-2D24	124	83-1/4"	23-1/2"	16"	18"	11-15/16"	37-5/8"	24"
42PB1620-2D18	113	42PB16204-2D18	120	71-1/4"	25-1/2"	16"	20"	12-15/16"	31-5/8"	18"
42PB1620-2D24	123	42PB16204-2D24	130	83-1/4"	25-1/2"	16"	20"	12-15/16"	37-5/8"	24"
42PB18-2D18	113	42PB184-2D18	130	75-1/4"	23-1/2"	18"	18"	11-15/16"	33-5/8"	18"
42PB18-2D24	123	42PB184-2D24	130	87-1/4"	23-1/2"	18"	18"	11-15/16"	39-5/8"	24"
42PB18-2D30	133	42PB184-2D30	140	99-1/4"	23-1/2"	18"	18"	11-15/16"	45-5/8"	30"
42PB1824-2D18	130	42PB18244-2D18	138	75-1/4"	29-1/2"	18"	24"	14-15/16"	33-5/8"	18"
42PB1824-2D24	141	42PB18244-2D24	149	87-1/4"	29-1/2"	18"	24"	14-15/16"	39-5/8"	24"
42PB1824-2D30	152	42PB18244-2D30	160	99-1/4"	29-1/2"	18"	24"	14-15/16"	45-5/8"	30"
42PB20-2D18	129	42PB204-2D18	135	79-1/4"	25-1/2"	20"	20"	12-15/16"	35-5/8"	18"
42PB20-2D24	139	42PB204-2D24	146	91-1/4"	25-1/2"	20"	20"	12-15/16"	41-5/8"	24"
42PB20-2D30	149	42PB204-2D30	156	103-1/4"	25-1/2"	20"	20"	12-15/16"	47-5/8"	30"
42PB24-2D24	159	42PB244-2D24	168	99-1/4"	29-1/2"	24"	24"	14-15/16"	45-5/8"	24"
42PB24-2D30	170	42PB244-2D30	179	111-1/4"	29-1/2"	24"	24"	14-15/16"	51-5/8"	30"
42PB3024-2D30	189	42PB30244-2D30	199	123-1/4"	29-1/2"	30"	24"	14-15/16"	57-5/8"	30"
42PB3024-2D36	200	42PB30244-2D36	210	135-1/4"	29-1/2"	30"	24"	14-15/16"	63-5/8"	36"

ALL DIMENSIONS ARE TYPICAL. TOLERANCE +/- .500". JOHN BOOS & CO. RESERVES THE RIGHT TO CHANGE SPECIFICATIONS WITHOUT NOTICE.

DETAILED SPECIFICATIONS



"42PB-2D" PRO-BOWL COMPARTMENT SINKS

12" DEEP (D')	WT. (LBS)	14" DEEP (D')	WT. (LBS)	OVERALL LENGTH (L)	OVERALL WIDTH (W)	INSIDE LENGTH (L')	INSIDE WIDTH (W')	A	B	C
42PB1618-2D18	108	42PB16184-2D18	114	71-1/4"	23-1/2"	16"	18"	11-15/16"	31-5/8"	18"
42PB1618-2D24	118	42PB16184-2D24	124	83-1/4"	23-1/2"	16"	18"	11-15/16"	37-5/8"	24"
42PB1620-2D18	113	42PB16204-2D18	120	71-1/4"	25-1/2"	16"	20"	12-15/16"	31-5/8"	18"
42PB1620-2D24	123	42PB16204-2D24	130	83-1/4"	25-1/2"	16"	20"	12-15/16"	37-5/8"	24"
42PB18-2D18	113	42PB184-2D18	130	75-1/4"	23-1/2"	18"	18"	11-15/16"	33-5/8"	18"
42PB18-2D24	123	42PB184-2D24	130	87-1/4"	23-1/2"	18"	18"	11-15/16"	39-5/8"	24"
42PB18-2D30	133	42PB184-2D30	140	99-1/4"	23-1/2"	18"	18"	11-15/16"	45-5/8"	30"
42PB1824-2D18	130	42PB18244-2D18	138	75-1/4"	29-1/2"	18"	24"	14-15/16"	33-5/8"	18"
42PB1824-2D24	141	42PB18244-2D24	149	87-1/4"	29-1/2"	18"	24"	14-15/16"	39-5/8"	24"
42PB1824-2D30	152	42PB18244-2D30	160	99-1/4"	29-1/2"	18"	24"	14-15/16"	45-5/8"	30"
42PB20-2D18	129	42PB204-2D18	135	79-1/4"	25-1/2"	20"	20"	12-15/16"	35-5/8"	18"
42PB20-2D24	139	42PB204-2D24	146	91-1/4"	25-1/2"	20"	20"	12-15/16"	41-5/8"	24"
42PB20-2D30	149	42PB204-2D30	156	103-1/4"	25-1/2"	20"	20"	12-15/16"	47-5/8"	30"
42PB24-2D24	159	42PB244-2D24	168	99-1/4"	29-1/2"	24"	24"	14-15/16"	45-5/8"	24"
42PB24-2D30	170	42PB244-2D30	179	111-1/4"	29-1/2"	24"	24"	14-15/16"	51-5/8"	30"
42PB3024-2D30	189	42PB30244-2D30	199	123-1/4"	29-1/2"	30"	24"	14-15/16"	57-5/8"	30"
42PB3024-2D36	200	42PB30244-2D36	210	135-1/4"	29-1/2"	30"	24"	14-15/16"	63-5/8"	36"

ALL DIMENSIONS ARE TYPICAL. TOLERANCE +/- .500". JOHN BOOS & CO. RESERVES THE RIGHT TO CHANGE SPECIFICATIONS WITHOUT NOTICE.