

SEAGATE

UNDERCOUNTER REFRIGERATORS

SUC28R, SUC48R, SUC61R, SUC72R

Every SEAGATE undercounter refrigerator is built to provide outstanding performance and is easily installed so that you can put it to work faster.

SEAGATE S-series refrigerators are designed with a robust refrigeration system and automatic defrost for cold, consistent temperatures. Additionally, SEAGATE refrigerators boast an electronic thermostat with a digital LED temperature display for complete accuracy, and 90-degree hold-open doors for easier stocking.

SEAGATE refrigerators were designed to deliver quality at an affordable price.

SEAGATE, it means a great deal.



STANDARD FEATURES

- Stainless steel top & exterior
- Solid hinged doors
- 1 adjustable, epoxy coated wire shelf per section
- Electronic thermostat
- Digital LED temperature display
- Automatic defrosting and auto evaporation of condensation water
- Self-closing doors that remain open at 90 degrees
- Stainless steel floor
- Interior side walls are made of ABS plastic with an aluminum back wall
- (4) 2-1/2" casters (lockable in front)
- Rear mounted, self-contained refrigeration system
- R600A refrigerant
- CFC free refrigerant and foam insulation
- Magnetic gasket can be replaced without any tools

AVAILABLE EXCLUSIVELY AT BURKETT RESTAURANT EQUIPMENT & SUPPLIES | BURKETT.COM/BRAND/SEAGATE | 419-720-8190



SEAGATE



SUC28R



SUC48R



SUC61R



SUC72R

SPECIFICATIONS

MODEL NUMBER	SUC28R	SUC48R	SUC61R	SUC72R
DOORS	1	2	2	3
STORAGE CAPACITY (Cu. Ft.)	6.5	12	15.5	18
SHELF CAPACITY (sq. ft.)	14	26	30	36
SHELVES	1	2	2	3
H/P	3/8	3/8	3/8	3/8
AMPS	1.5	3	3	3.5
VOLTAGE	115/60/1	115/60/1	115/60/1	115/60/1
DIMENSIONS (W x D x H)	27.8" x 29.9" x 35.5"	48.2" x 29.9" x 35.5"	61.2" x 29.9 x 35.5"	71.7" x 29.9" x 35.5"
SHIP WEIGHT (lbs)	243	300	348	380
TEMPERATURE RANGE	33°F to 40°F	33°F to 40°F	33°F to 40°F	33°F to 40°F

WARRANTY

2-YEAR PARTS & LABOR
5-YEAR COMPRESSOR

Specifications are subject to change without notice

AVAILABLE EXCLUSIVELY AT BURKETT RESTAURANT EQUIPMENT & SUPPLIES | BURKETT.COM/BRAND/SEAGATE | 419-720-8190



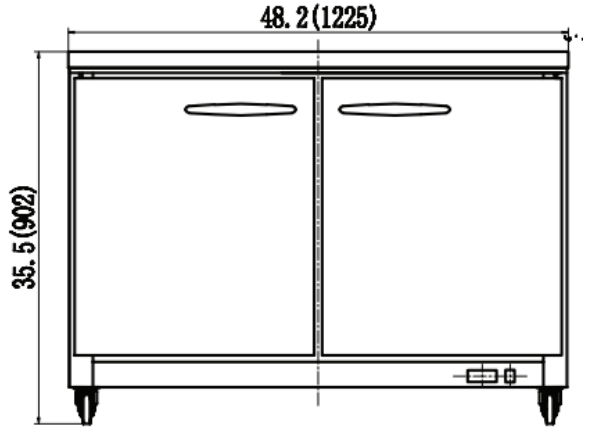
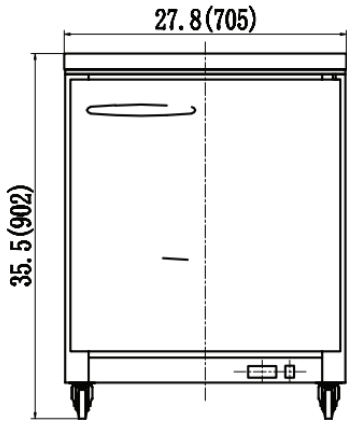
SEAGATE

TECHNICAL DRAWINGS

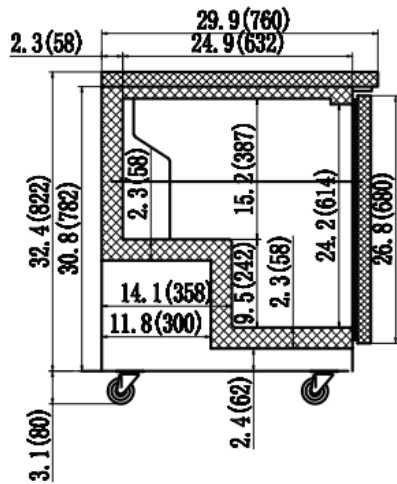
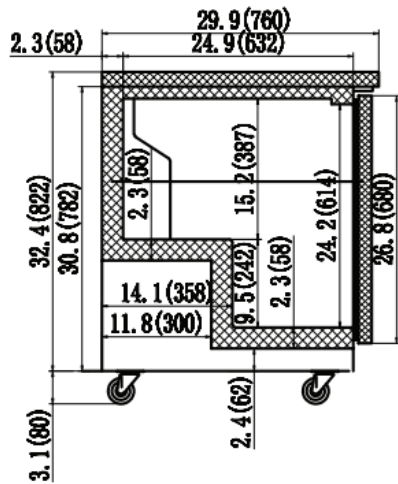
SUC28R

SUC48R

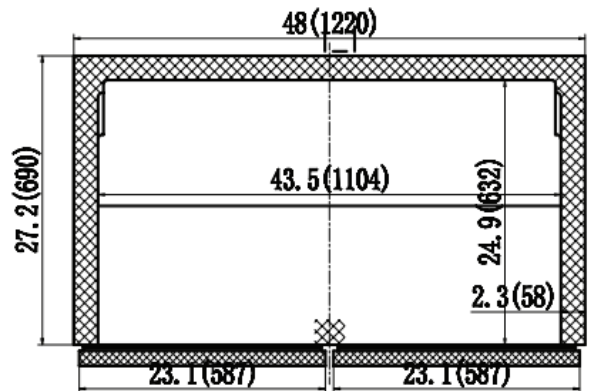
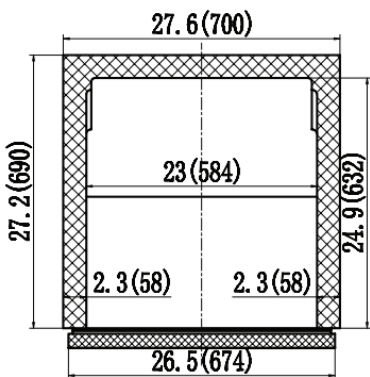
FRONT



SIDE



TOP



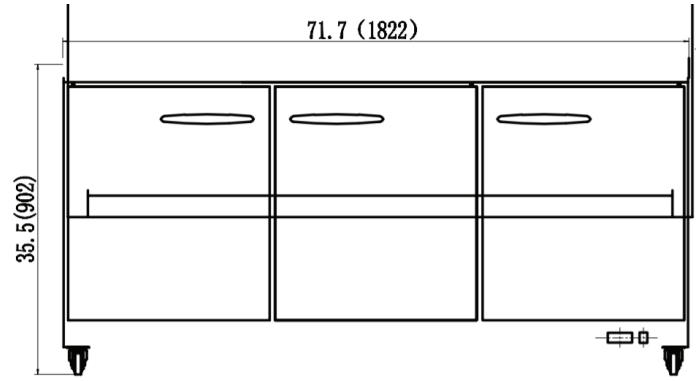
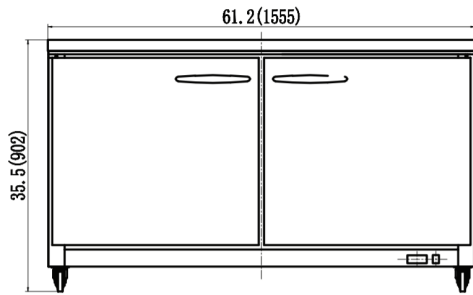
SEAGATE

TECHNICAL DRAWINGS

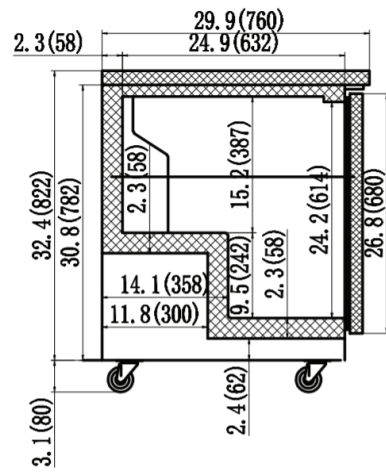
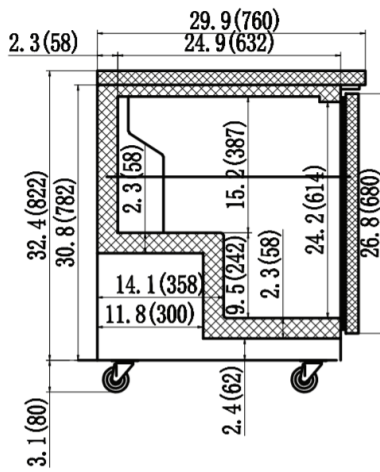
SUC61R

SUC72R

FRONT



SIDE



TOP

