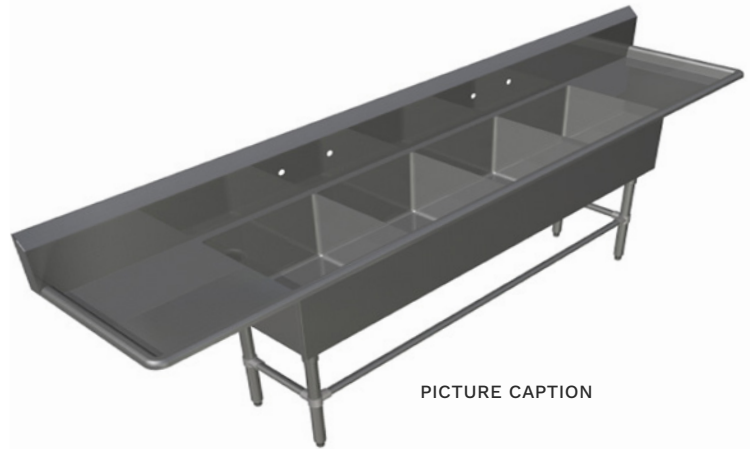


"44PB-2D" PRO-BOWL COMPARTMENT SINKS

4 Compartment w/2 Drain Boards - 14GA w/Stainless Steel Base

FEATURES:

- Standard 14GA Type 300 Stainless Steel w/#4 Polish, Satin Finish
- 12" Or 14" Deep Bowls
- All Corners, Both Vertical & Horizontal, Coved At 5/8" Radius
- Bottoms Of Bowls Formed For Drainage To 3-1/2" Diameter Die Stamped Opening
- Full Length 10" High Boxed Backsplash, w/2" Return To Wall At 45 Degree & 3/4" Turned Down Rear Lip
- 2 Sets Of Faucet Holes 8" On-Center
- 1" Faucet Holes In Backsplash
- Solid Stainless Steel Front Panel, Type 300 Stainless Steel w/#4 Polish, Satin Finish
- All Outside Corners Of Assembly Are Bullnosed To Provide Safe, Clean, & Polished Edge



PICTURE CAPTION

SPECIFICATIONS:

- Top: Stainless Steel Sinks Are Tig Welded, Exposed Welds Are Polished To Match Adjacent Surface
- Base: Stainless Steel Bases, Standard Knocked-Down
- Bowls & Top: 14GA Type 300 Stainless Steel w/#4 Polish, Satin Finish
- Legs: 1-5/8" Round O.D. Stainless Steel
- Bracing: 1-1/4" Round O.D. Stainless Steel
- Gussets: Stainless Steel
- Feet: 1" Adjustable Stainless Steel Bullet Feet

CERTIFICATIONS:



ACCESSORIES

MODEL

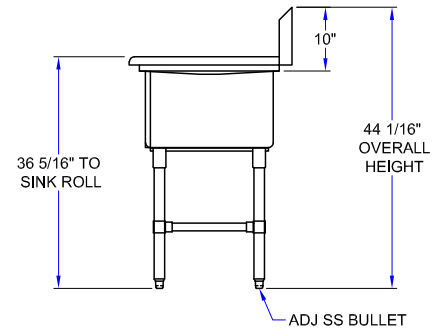
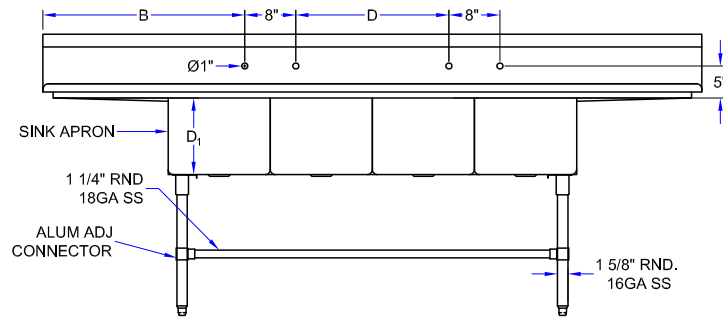
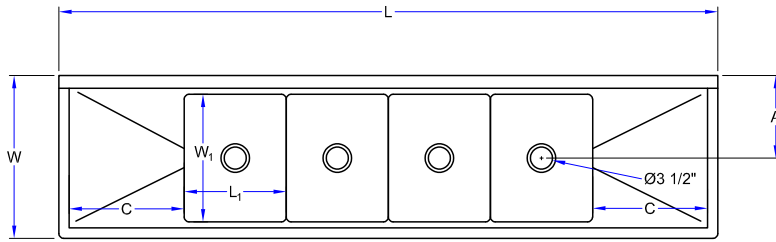
- End Splashes, R, L, Or Both
- Faucets
- Add-A-Faucets
- Pre-Rinse Units
- Lever Waste
- Overshelves
- Pot Rack

"44PB-2D" PRO-BOWL COMPARTMENT SINKS

12" DEEP (D')	WT. (LBS)	14" DEEP (D')	WT. (LBS)	OVERALL LENGTH (L)	OVERALL WIDTH (W)	INSIDE LENGTH (L')	INSIDE WIDTH (W')	A	B	C	D
44PB1618-2D18	171	44PB16184-2D18	184	103-1/4"	23-1/2"	16"	18"	11-15/16"	31-5/8"	18"	24"
44PB1618-2D24	180	44PB16184-2D24	193	115-1/4"	23-1/2"	16"	18"	11-15/16"	37-5/8"	24"	24"
44PB1620-2D18	179	44PB16204-2D18	193	103-1/4"	25-1/2"	16"	20"	12-15/16"	31-5/8"	18"	24"
44PB1620-2D24	190	44PB16204-2D24	203	115-1/4"	25-1/2"	16"	20"	12-15/16"	37-5/8"	24"	24"
44PB18-2D18	182	44PB184-2D18	196	111-1/4"	23-1/2"	18"	18"	11-15/16"	33-5/8"	18"	28"
44PB18-2D24	192	44PB184-2D24	205	123-1/4"	23-1/2"	18"	18"	11-15/16"	39-5/8"	24"	28"
44PB18-2D30	201	44PB184-2D30	215	135-1/4"	23-1/2"	18"	18"	11-15/16"	45-5/8"	30"	28"
44PB1824-2D18	209	44PB18244-2D18	225	111-1/4"	29-1/2"	18"	24"	14-15/16"	33-5/8"	18"	28"
44PB1824-2D24	220	44PB18244-2D24	236	123-1/4"	29-1/2"	18"	24"	14-15/16"	39-5/8"	24"	28"
44PB1824-2D30	231	44PB18244-2D30	247	135-1/4"	29-1/2"	18"	24"	14-15/16"	45-5/8"	30"	28"
44PB20-2D18	207	44PB204-2D18	220	119-1/4"	25-1/2"	20"	20"	12-15/16"	35-5/8"	18"	32"
44PB20-2D24	217	44PB204-2D24	231	131-1/4"	25-1/2"	20"	20"	12-15/16"	41-5/8"	24"	32"
44PB20-2D30	227	44PB204-2D30	241	143-1/4"	25-1/2"	20"	20"	12-15/16"	47-5/8"	30"	32"
44PB24-2D24	257	44PB244-2D24	275	147-1/4"	29-1/2"	24"	24"	14-15/16"	45-5/8"	24"	40"
44PB24-2D30	268	44PB244-2D30	286	159-1/4"	29-1/2"	24"	24"	14-15/16"	51-5/8"	30"	40"
44PB3024-2D30	304	44PB30244-2D30	325	183-1/4"	29-1/2"	30"	24"	14-15/16"	57-5/8"	30"	52"
44PB3024-2D36	315	44PB30244-2D36	336	195-1/4"	29-1/2"	30"	24"	14-15/16"	63-5/8"	36"	52"

ALL DIMENSIONS ARE TYPICAL. TOLERANCE +/- .500". JOHN BOOS & CO. RESERVES THE RIGHT TO CHANGE SPECIFICATIONS WITHOUT NOTICE.

DETAILED SPECIFICATIONS



"44PB-2D" PRO-BOWL COMPARTMENT SINKS

12" DEEP (D')	WT. (LBS)	14" DEEP (D')	WT. (LBS)	OVERALL LENGTH (L)	OVERALL WIDTH (W)	INSIDE LENGTH (L')	INSIDE WIDTH (W')	A	B	C	D
44PB1618-2D18	171	44PB16184-2D18	184	103-1/4"	23-1/2"	16"	18"	11-15/16"	31-5/8"	18"	24"
44PB1618-2D24	180	44PB16184-2D24	193	115-1/4"	23-1/2"	16"	18"	11-15/16"	37-5/8"	24"	24"
44PB1620-2D18	179	44PB16204-2D18	193	103-1/4"	25-1/2"	16"	20"	12-15/16"	31-5/8"	18"	24"
44PB1620-2D24	190	44PB16204-2D24	203	115-1/4"	25-1/2"	16"	20"	12-15/16"	37-5/8"	24"	24"
44PB18-2D18	182	44PB184-2D18	196	111-1/4"	23-1/2"	18"	18"	11-15/16"	33-5/8"	18"	28"
44PB18-2D24	192	44PB184-2D24	205	123-1/4"	23-1/2"	18"	18"	11-15/16"	39-5/8"	24"	28"
44PB18-2D30	201	44PB184-2D30	215	135-1/4"	23-1/2"	18"	18"	11-15/16"	45-5/8"	30"	28"
44PB1824-2D18	209	44PB18244-2D18	225	111-1/4"	29-1/2"	18"	24"	14-15/16"	33-5/8"	18"	28"
44PB1824-2D24	220	44PB18244-2D24	236	123-1/4"	29-1/2"	18"	24"	14-15/16"	39-5/8"	24"	28"
44PB1824-2D30	231	44PB18244-2D30	247	135-1/4"	29-1/2"	18"	24"	14-15/16"	45-5/8"	30"	28"
44PB20-2D18	207	44PB204-2D18	220	119-1/4"	25-1/2"	20"	20"	12-15/16"	35-5/8"	18"	32"
44PB20-2D24	217	44PB204-2D24	231	131-1/4"	25-1/2"	20"	20"	12-15/16"	41-5/8"	24"	32"
44PB20-2D30	227	44PB204-2D30	241	143-1/4"	25-1/2"	20"	20"	12-15/16"	47-5/8"	30"	32"
44PB24-2D24	257	44PB244-2D24	275	147-1/4"	29-1/2"	24"	24"	14-15/16"	45-5/8"	24"	40"
44PB24-2D30	268	44PB244-2D30	286	159-1/4"	29-1/2"	24"	24"	14-15/16"	51-5/8"	30"	40"
44PB3024-2D30	304	44PB30244-2D30	325	183-1/4"	29-1/2"	30"	24"	14-15/16"	57-5/8"	30"	52"
44PB3024-2D36	315	44PB30244-2D36	336	195-1/4"	29-1/2"	30"	24"	14-15/16"	63-5/8"	36"	52"

ALL DIMENSIONS ARE TYPICAL. TOLERANCE +/- .500". JOHN BOOS & CO. RESERVES THE RIGHT TO CHANGE SPECIFICATIONS WITHOUT NOTICE.