



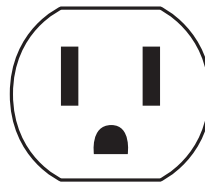
POWER PACK - AIR COOLED

ECONOMY - 1 PUMP - 2,300 BTUs

- Engineered by beer-industry experts for performance and value.
- Digital thermostat for accurate glycol bath temperature.
- Expanded urethane foam insulates cabinet to maintain glycol temperature and minimize condensation.
- Exterior sight glass to verify glycol bath level.
- Rugged stainless steel cabinet.



MMPP4301-EP



5-15P

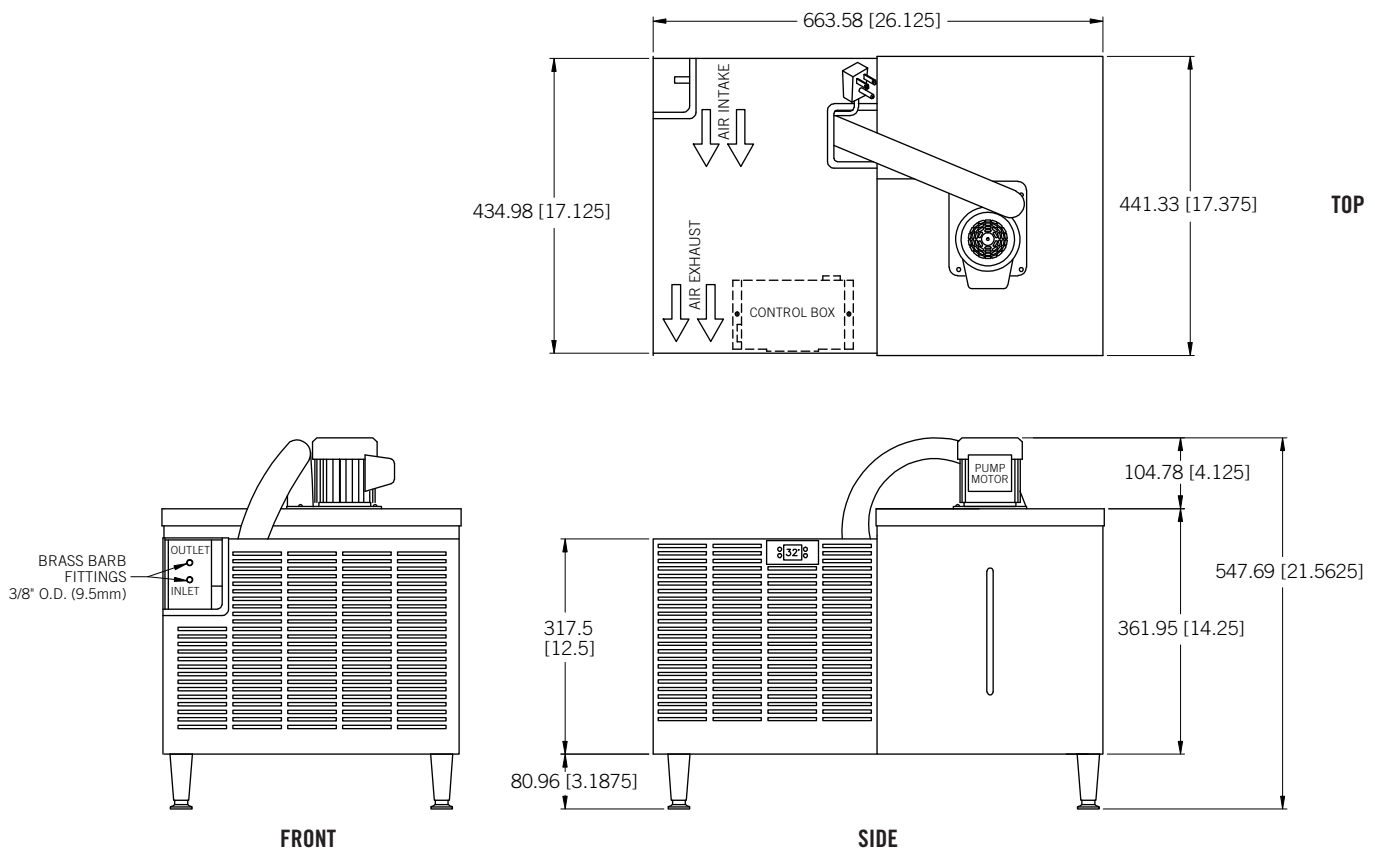


| Part No. | Description | Shipping Weight |
|--------------------------------------|--|-----------------|
| <input type="checkbox"/> MMPP4301-EP | Air cooled power pack, 1 vertical pump | 41 kg |
| | | 90 lbs |

Operating Performance

| | |
|------------------------------|------------------------|
| Compressor | 1/3 HP |
| BTU per hour | 2,300 |
| Plug Type (NEMA #) | 5-15P |
| Voltage | 115 |
| Running | 7.0A |
| Refrigerant | R-134a |
| Charge | 0.28 kg (10 oz) |
| Refrigerant Running Pressure | 18 (low) 140 (high) |
| Bath Capacity | 17 litre (4.5 gallons) |
| Pump Type | Vertical |
| Inlet Barb | 9.52mm (3/8") |
| Outlet Barb | 9.52mm (3/8") |
| Cabinet Cover | Included |

Dimensions



Toll-Free: 1-866-327-4159
www.micromatic.com

West

19791 Bahama St.
 Northridge, CA 91324
 Tel. (818) 701-9765
 Fax. (818) 701-9844

Central

10726 North Second St.
 Machesney Park, IL 61115
 Tel. (815) 968-7557
 Fax. (815) 968-0363

Southeast

15111 Dispense Ln.
 Brooksville, FL 34604
 Tel. (352) 799-6331
 Fax. (352) 796-2429

Northeast

4601 Saucon Creek Rd.
 Center Valley, PA 18034
 Tel. (610) 625-4464
 Fax. (610) 625-4466