

PROJECT NAME: _____ LOCATION: _____

ITEM: _____ MODEL: _____



Model **CIM100**

Ice Maker - Self Contained

The CIM100 produces up to 106 pounds of ice per day and includes a self-contained 35 pound storage bin. Stainless steel construction provides durability to a unit that is low-maintenance and easy to clean. The unit produces crystal clear bullet shaped ice cubes that work great for applications in homes, restaurants, bars, hotels, grocery stores, and more. Suitable for freestanding or built in applications, this unit will run on standard household electrical current and is NSF and UL approved for commercial use.

FEATURE LIST

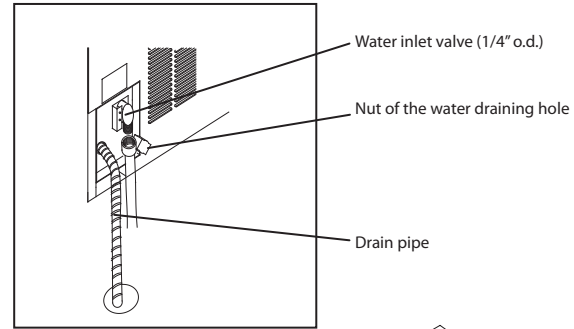
Model:	CIM100
Description:	Self-Contained Ice Maker
Voltage:	120V/60Hz/1Ph
Ice Type:	Individual Bullet
Ice Cube Size:	1 3/8" x 1 1/8" x 1 1/4" 35mm x 29mm x 32mm
Power Consumption:	11.1kWh / 100lbs of ice
Unit Weight:	106 lb / 48 kg
Unit Dimensions:	22 1/8" W x 21 3/8" D x 32 1/2" H 561mm W x 541mm D x 826mm H
Shipping Weight:	127 lb / 57.5 kg
Shipping Dimensions:	26" W x 26" D x 35" H 660mm W x 660mm D x 889mm H
Warranty:	See reverse side.

Specifications subject to change without notice.

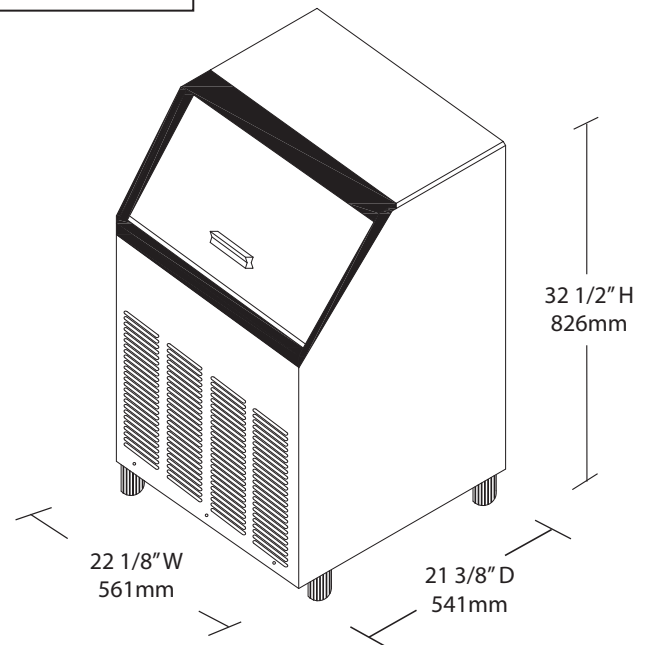
Approvals: NSF, UL, CE



PLAN VIEW



- Up to 106 lb (48 kg) daily ice production (based on 50/70° F)
- Produces crystal clear bullet shaped ice cubes
- Stainless steel exterior
- 35lb storage bin with automatic overflow prevention
- Foamed in place insulation
- Air-cooled condenser
- Designed for household or commercial use
- For freestanding or built-in applications
- Requires use of a drain. Water filter recommended.
- **Standard Warranty:** 1 Year Parts, 1 Year On-Site Labor, and Additional 4 Year Compressor (part only)



DIMENSIONAL DATA

Model	Description	Weight	Dimensions
CIM100	Self-Contained Ice Maker	106 lb / 48 kg	22 1/8" W x 21 3/8" D x 32 1/2" H 561mm W x 541mm D x 826mm H