



RESOURCES

UNDERBAR REFRIGERATION



Use your smart phone to scan the above QR code to visit our website: www.bk-resources.com

Model:

SSBB-1G-24

Back Bar Glass Doors



SSBB-1G-24

- **Heavy Duty Construction**
Durable 430 stainless steel top & interior with PVC-coated steel.
- **Electronic control system**
Digital Controller for easy Temperature and Defrost regulation.
- **Eco-Friendly Hydro-Carbon Refrigerant**
R290 Refrigerant with a nominal global warming potential rating.
- **Easy Access Condenser**
System of Ventilated Condensation Infricool
- **Holding Temp Range: 33°F to 41°F**
- **LED Interior Lighting**
- **Doors with Integrated Handle, Thermo-pane Double Glass, and Door Lock Provided**



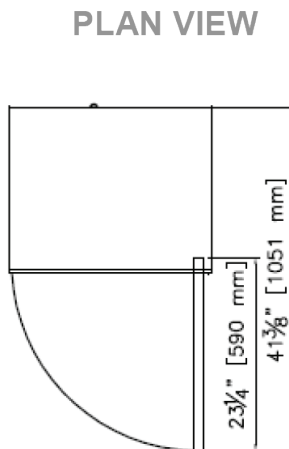
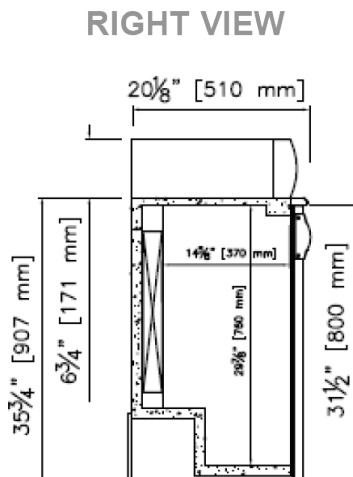
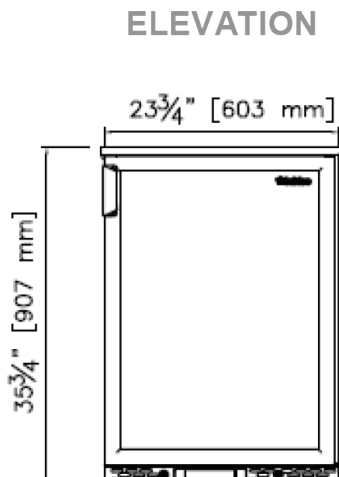
115/60/1
Nema-5-15P



Commercial Use Only - Not warranted for residential use

Specifications subject to change without notice

Part Number	Doors	Shelves	Amps	HP	Voltage	Nema Plug	Cord Length	Unit Size (in) (l x w x h)
SSBB-1G-24	1	2	3.0	1/6	115/60/1	5-15P	8 Foot	20 1/8" x 23 5/8" x 35 3/4"



PRODUCT DATA SHEET

