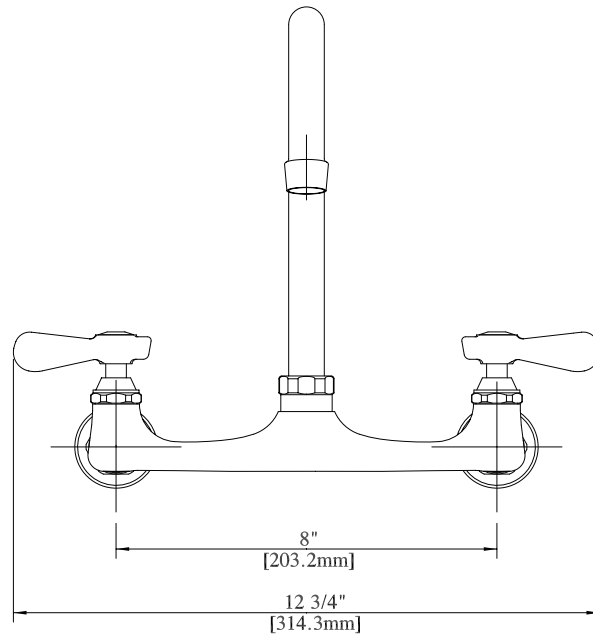
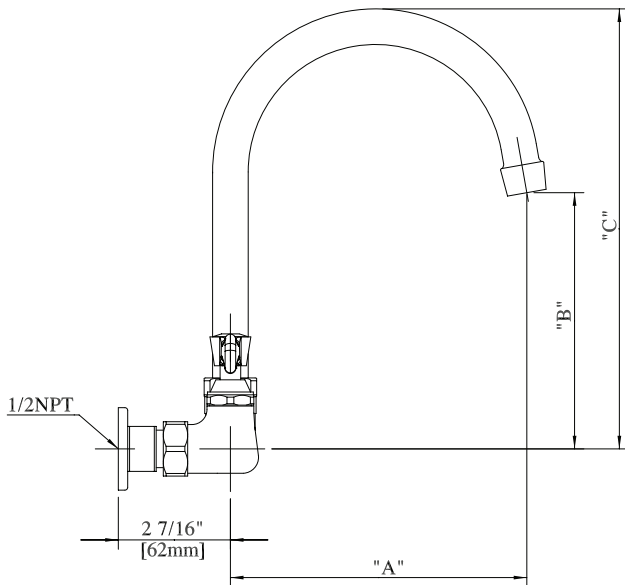
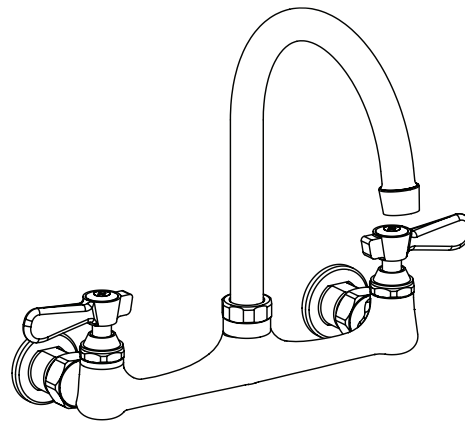




Use your smart phone to scan the above QR code to visit our website: www.bk-resources.com

8" Splash Mount Standard Duty Faucet with Gooseneck Spout

Model: BKF-8W-xG-G, Lead Free



Options:



BKF-C414-VR
Vandal Resistant Aerator - .5 GPM

BK-DMMK-90
Faucet Mounting Kit - *SOLD SEPARATELY*

Product Specifications:

- 1/4 Turn Ceramic Cartridges
- Stainless Steel Valves
- Color Coded Hot & Cold Indicators
- Double O-Ring Spout Seal
- High Polished Chrome Finish
- Lead Free Compliant
- 2.0 GPM Flow Rate
- Full Replacement Parts Available

Product Detail:

Model Number	DIM. A	DIM. B	DIM. C	Product Weight (lbs)
BKF-8W-3G-G	3.5" [90]	5.13" [130]	7.88" [200]	2.50
BKF-8W-5G-G	6" [150]	5" [127]	9.5" [241]	3.00
BKF-8W-8G-G	8.5" [215]	7.5" [190.5]	12.38" [314.3]	2.50

Certifications:



PRODUCT SPECIFICATION SHEET

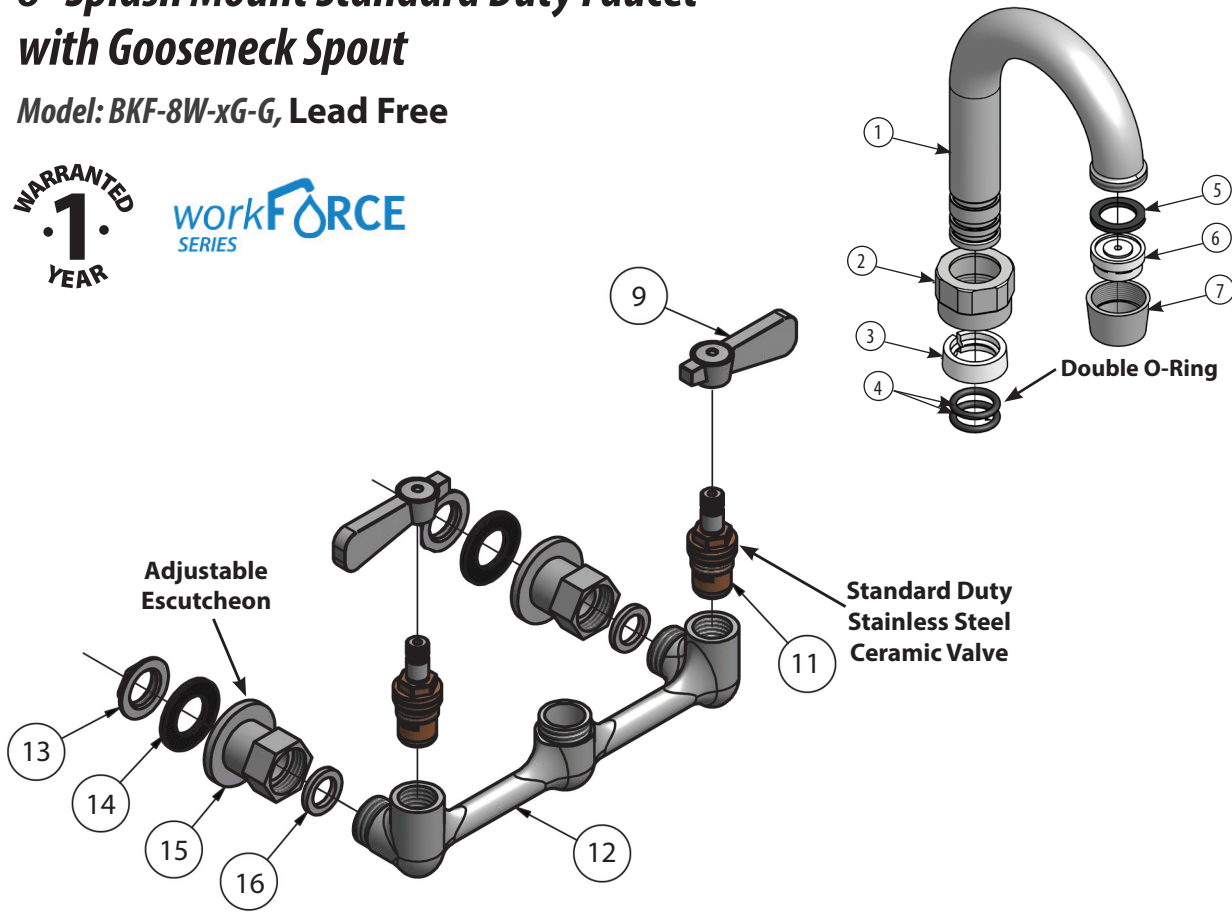
RESOURCES





8" Splash Mount Standard Duty Faucet with Gooseneck Spout

Model: BKF-8W-xG-G, Lead Free



Exploded Parts Detail:

Diagram #	Quantity	Part Number	Description
1	1	BKF-SPT-XX-G	Gooseneck Spout
2	1	BKF-SPT-NUT	Nut Spout
3	1	BKF-SPT-SPACER	Spout Spacer
4	2	BKF-SPT-ORING	O-Ring Spout
5	1	BKF-SPT-AER-W	Aerator Washer
6	1	BKF-SPT-AER	Aerator
7	1	BKF-SPT-AER-NOZZLE	Nozzle
9	2	BKF-SBH	Handle
11	2	(1) BKF-W-HVC-G & (1) BKF-W-CVC-G	Ceramic Valves
12	1	BKF-8W-XX-G	Faucet Body
13	2	BKD-MN	Mounting Nut
14	2	BKD-MW	Mounting Washer
15	2	BK-8W-ESC	Valve Mounting Nut
16	2	BK-8W-ESC-WASHER	0.63 O-Ring

Optional Spouts & Parts:

- Standard Duty Gooseneck Spout**
BKF-SPT-3G-G, BKF-SPT-5G-G
BKF-SPT-8G-G
- Standard Duty DJ Swing Spout**
BKF-SPT-18-G
- Standard Duty Swing Spout**
BKF-SPT-6-G, BKF-SPT-8-G
BKF-SPT-10-G, BKF-SPT-12-G
BKF-SPT-14-G, BKF-SPT-16-G
- BKF-C414-VR**
Vandal Resistant Aerator - .5 GPM
- BK-DMMK-90**
Faucet Mounting Kit - *SOLD SEPARATELY*

*Wrist blade handles not available for WorkForce faucets, upgrade to OptiFlow if needed
Due to our commitment to improving our products, specifications are subject to change without notice.

