

SEAGATE

UNDERCOUNTER FREEZERS

SUC28F, SUC48F, SUC61F

Every SEAGATE undercounter freezer is built to provide outstanding performance and is easily installed so that you can put it to work faster.

SEAGATE undercounter freezers are designed with a robust refrigeration system and automatic defrost for cold, consistent temperatures. Additionally, SEAGATE undercounters boast an electronic thermostat with a digital LED temperature display for complete accuracy, and 90-degree hold-open doors for easier stocking.

SEAGATE freezers were designed to deliver quality at an affordable price.

SEAGATE, it means a great deal.



STANDARD FEATURES

- Stainless steel top & exterior
- Solid hinged doors
- 1 adjustable, epoxy coated wire shelf per section
- Electronic thermostat
- Digital LED temperature display
- Automatic defrosting and auto evaporation of condensation water
- Self-closing doors that remain open at 90 degrees
- Stainless steel floor
- Interior side walls are made of ABS plastic with an aluminum back wall
- (4) 2-1/2" casters (lockable in front)
- Rear mounted, self-contained refrigeration system
- R290 refrigerant
- CFC free refrigerant and foam insulation
- Magnetic gasket can be replaced without any tools
- Door frames have integral factory installed heating element to eliminate condensation

AVAILABLE EXCLUSIVELY AT BURKETT RESTAURANT EQUIPMENT & SUPPLIES | BURKETT.COM/BRAND/SEAGATE | 419-720-8190



SEAGATE



SUC28R



SUC48R



SUC61R

SPECIFICATIONS

MODEL NUMBER	SUC28F	SUC48F	SUC61F
DOORS	1	2	2
STORAGE CAPACITY (cu. ft.)	6.5	12	15.5
SHELF CAPACITY (sq. ft.)	14	26	30
SHELVES	1	2	2
H/P	1/2	1/2	1/2
AMPS	1.9	2.4	5
VOLTAGE	115/60/1	115/60/1	115/60/2
DIMENSIONS (W x D x H)	27.8" x 29.9" x 35.5"	48.2" x 29.9" x 35.5"	61.2" x 29.9" x 35.5"
WEIGHT (lbs)	291	340	388
TEMPERATURE RANGE	0°F to -10°F	0°F to -10°F	0°F to -10°F

WARRANTY

2-YEAR PARTS & LABOR
5-YEAR COMPRESSOR

Specifications are subject to change without notice

AVAILABLE EXCLUSIVELY AT BURKETT RESTAURANT EQUIPMENT & SUPPLIES | BURKETT.COM/BRAND/SEAGATE | 419-720-8190



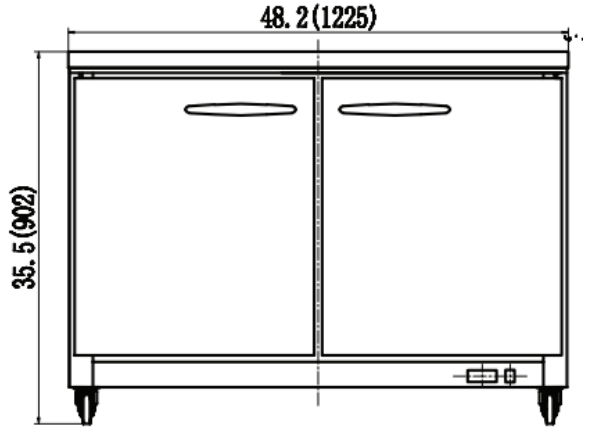
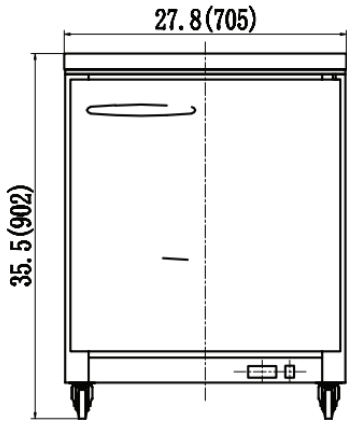
SEAGATE

TECHNICAL DRAWINGS

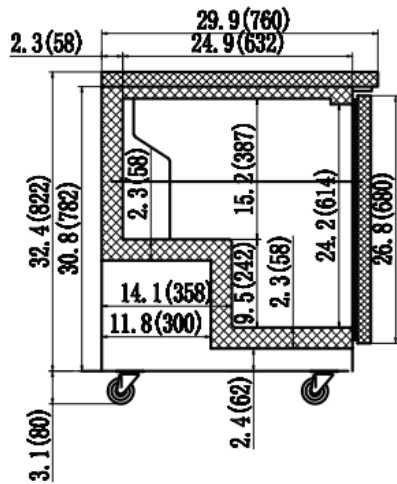
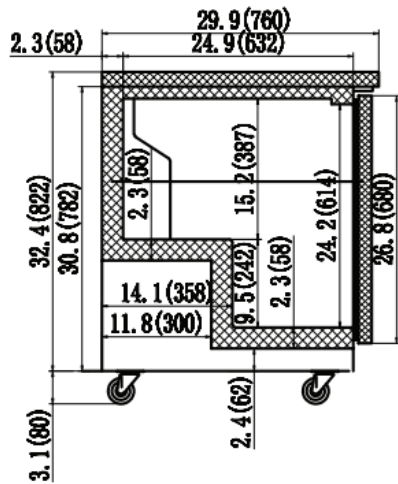
SUC28F

SUC48F

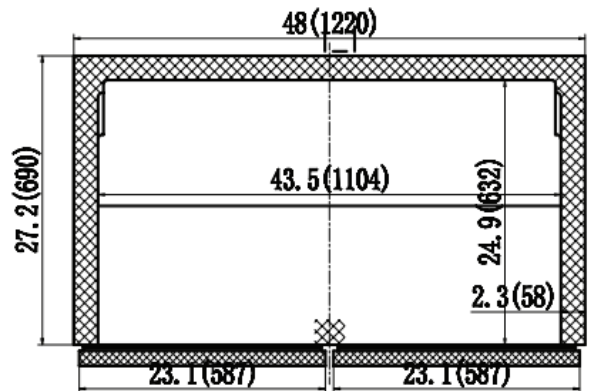
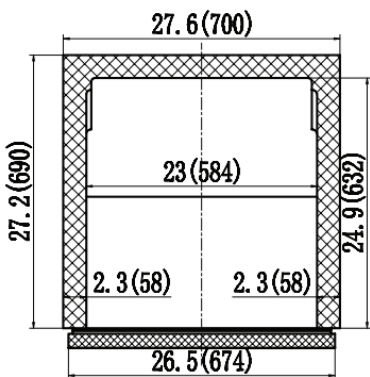
FRONT



SIDE



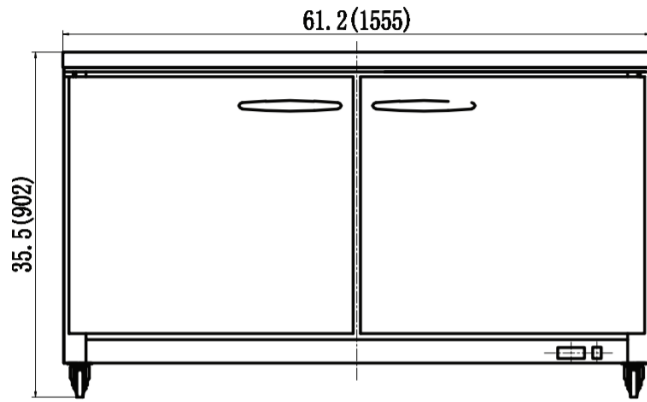
TOP



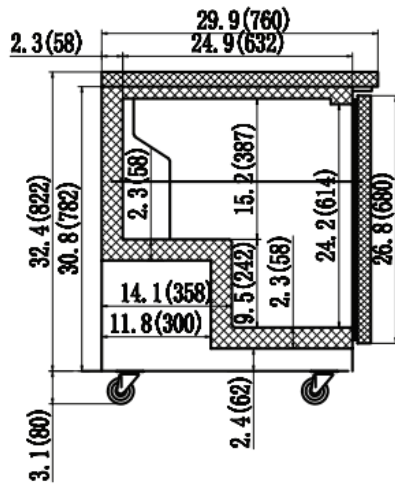
SEAGATE

SUC61F

FRONT



SIDE



TOP

