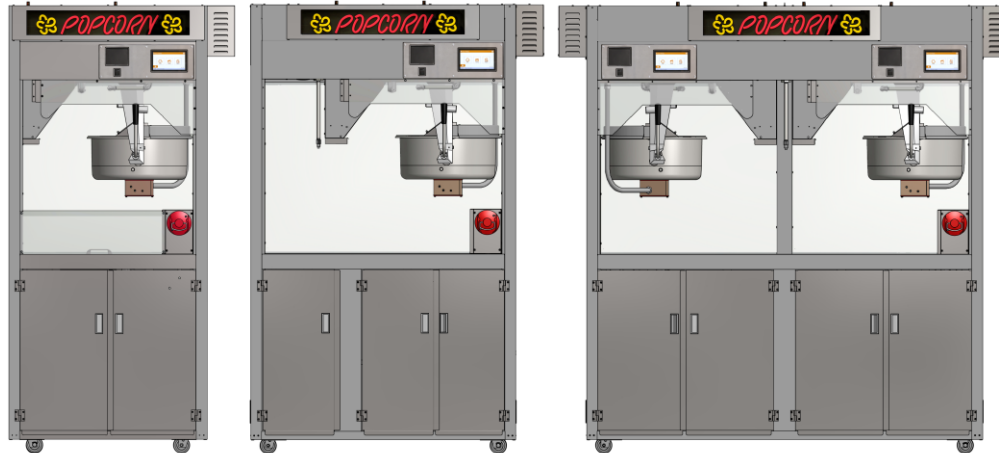


32 oz. Updraft PopClean (Single/Twin)

Model No. 2011-00 2848-00 2860-00 2872-00 2873-00 (821 - 826) PC

Specifications



2011 (822) 36" Unit

Single Kettle Example Views

2848 (822) 48" Unit

2873 (822) 72" Unit

Twin Model View

Series Description

Model	Sign Style	Oil Pump
821	LED (backlit)	BIB
822	LED Neon	BIB
823	LED (backlit)	Bucket
824	LED Neon	Bucket
825	LED (backlit)	Dual BIB
826	LED Neon	Dual BIB

General unit images shown for reference only.

Overall Dimensions:

Width: Reference drawing on next page.

Depth: 33.13" (84.2 cm)

Height: 82.3" (209.1 cm)

See drawing and information on next page for additional dimensions and clearances required.

Electrical - Domestic (Each Kettle)

120/208 OR 120/240V

6570 WATTS 60 Hz

(NEMA 14-50P) Plug

Each unit kettle is designed to operate on single phase, 50 AMP, 4 wire supply (2 Hot, 1 Neutral, 1 Ground). Wall receptacle supplied with unit. Twin Models have two power cords (one for each side of unit), and two receptacles supplied with unit.

Plug Type: Agency Approvals:



Updraft Model Series (821 thru 826) Features:

- **2011, 2848, 2860, 2872:** (1) 32oz. top hat kettle.
- **2873 Twin Unit:** (2) 32oz. top hat kettles.
- Ansul R-102 Fire Suppression System (required); system must be charged and activated by an Ansul Certified Representative.
- Exhaust Filtration System (for each kettle); see specs below.
- **Touch Screen Control** (for each kettle), with: Kettle Temp and Oil Level Indicators; Automatic Oil Delivery; Auto-Off - Kettle Heat/Exhaust; Language Selection; Security Mode; Multiple recipe selections for Butterfly-Mushroom, Salt-Sweet, Small-Large load size (Flexipop® technology).
- Popcorn Crisper; Deep Well (adjustable popcorn storage area); both Butterfly and Mushroom Corn Screen Inserts included.
- Stainless steel cabinet construction; swivel casters (2 w/locks); raw corn/storage area; removable (easy access) side panels.
- LED unit lighting; reversible LED backlit or LED neon sign for front counter (customer side) or back counter (operator side).
- Two heated oil lines (for each kettle; standard on all units).
- **Oil Delivery System** includes either a 2257 Series BIB (220, Dual Pump) or (210, Single Pump), or 2114-00 Bucket Pump —Twin Models equipped with an oil system for each kettle.

Filter/Ventilation Specifications: Updraft, exhausts through replaceable HEPA grade filter and vents out top of unit.

- Tested and approved to ANSI/UL 710B (Integrated Recirculating Ventilation System/Ductless Hood).
- Meets EPA-202 Standards for clean air of less than 5 mg of particulates. Updraft Models tested to 3.6 mg particulates.



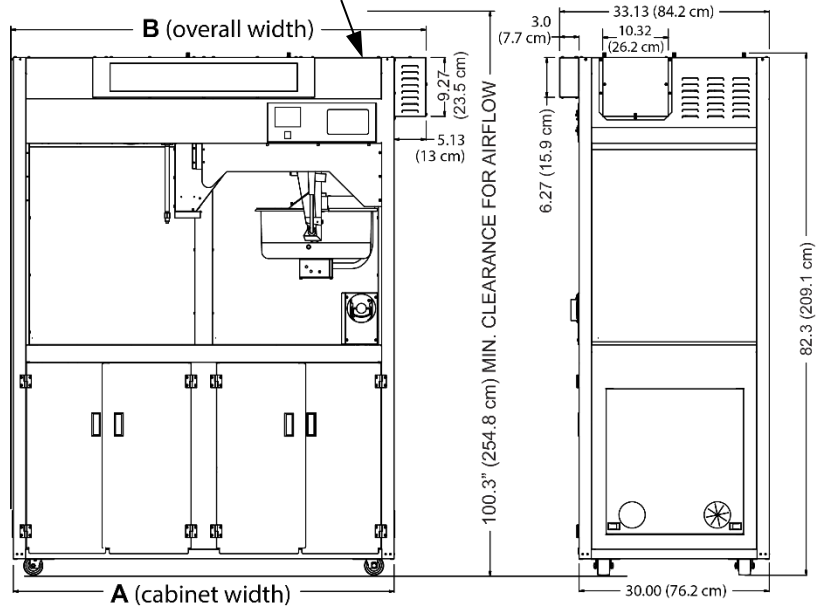
Gold Medal Products Co.
10700 Medallion Drive, Cincinnati, OH 45241

Ph: (513) 769-7676, (800) 543-0862; Fax: (513) 769-8500
gmpopcorn.com info@gmpopcorn.com

Updraft PopClean

A minimum 18" (45.72 cm) clearance is required between any opening or exhaust duct and a combustible surface, per NFPA 96 Version 2017.

Exhaust vents out top of unit.



Overall Dimensions:

Width: See table "B" cabinet & blower
Depth: 33.13" (84.2 cm) cabinet & sign
Height: 82.3" (209.1 cm)

See drawing for additional dimensions and clearances required.

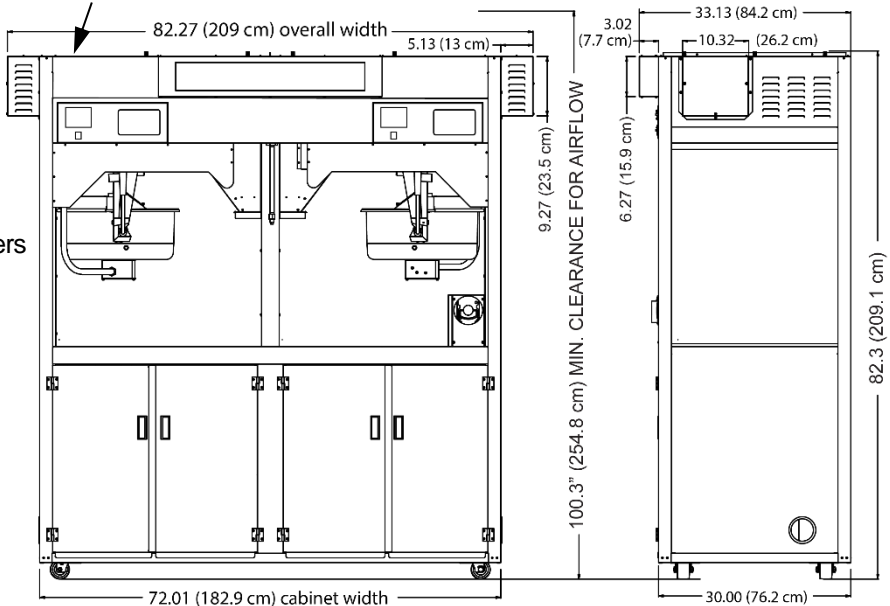
General image shown for dimension reference only.

A (cabinet)	B (cabinet & blower)	Depth (30" cabinet & sign)	Height (of unit)
36" Unit	41.34" (105 cm)	33.13"	82.3"
48" Unit	53.34" (135.5 cm)	33.13"	82.3"
60" Unit	65.34" (166 cm)	33.13"	82.3"
72" Unit	77.34" (196.5 cm)	33.13"	82.3"

Twin Updraft PopClean

A minimum 18" (45.72 cm) clearance is required between any opening or exhaust duct and a combustible surface, per NFPA 96 Version 2017.

Exhaust vents out top of unit for each blower.




Overall Dimensions:

Width: 82.27" (209 cm) cabinet & 2 blowers
Depth: 33.13" (84.2 cm) cabinet & sign
Height: 82.3" (209.1 cm)

See drawing for additional dimensions and clearances required.

General image shown for dimension reference only.

 **Gold Medal Products Co.**
 10700 Medallion Drive, Cincinnati, OH 45241

Ph: (513) 769-7676, (800) 543-0862; Fax: (513) 769-8500
 gmpopcorn.com info@gmpopcorn.com

AUTHORIZATION TO MARK

This authorizes the application of the Certification Mark(s) shown below to the models described in the Product(s) Covered section when made in accordance with the conditions set forth in the Certification Agreement and Listing Report. This authorization also applies to multiple listee model(s) identified on the correlation page of the Listing Report.

This document is the property of Intertek Testing Services and is not transferable. The certification mark(s) may be applied only at the location of the Party Authorized To Apply Mark.

Applicant:	Gold Medal Products Company	Manufacturer:	Gold Medal Products Company
Address:	10700 Medallion Drive Cincinnati OH 45241	Address:	10700 Medallion Drive Cincinnati OH 45241
Country:	U.S.A.	Country:	U.S.A.
Contact:	Steve Snyder / Timothy Rhome	Contact:	Steve Snyder / Timothy Rhome
Phone:	(513) 769-7676	Phone:	(513) 769-7676
FAX:	(513) 769-8500 / (513) 769-8811	FAX:	(513) 769-8500 / (513) 769-8811
Email:	snyder@gmpopcorn.com / trhome@gmpopcorn.com	Email:	snyder@gmpopcorn.com / trhome@gmpopcorn.com

Party Authorized To Apply Mark: Same as Manufacturer
Report Issuing Office: Lake Forest, Ca

Control Number: 3102942

Authorized by: *Steven Condie*
 for William T. Starr, Certification Manager



This document supersedes all previous Authorizations to Mark for the noted Report Number.

This Authorization to Mark is for the exclusive use of Intertek's Client and is provided pursuant to the Certification agreement between Intertek and its Client. Intertek's responsibility and liability are limited to the terms and conditions of the agreement. Intertek assumes no liability to any party, other than to the Client in accordance with the agreement, for any loss, expense or damage occasioned by the use of this Authorization to Mark. Only the Client is authorized to permit copying or distribution of this Authorization to Mark and then only in its entirety. Use of Intertek's Certification mark is restricted to the conditions laid out in the agreement and in this Authorization to Mark. Any further use of the Intertek name for the sale or advertisement of the tested material, product or service must first be approved in writing by Intertek. Initial Factory Assessments and Follow up Services are for the purpose of assuring appropriate usage of the Certification mark in accordance with the agreement, they are not for the purposes of production quality control and do not relieve the Client of their obligations in this respect.

Intertek Testing Services NA Inc.
 165 Main Street, Cortland, NY 13045
 Telephone 800-345-3851 or 607-753-6711 Fax 607-756-6699

Standard(s):	UL 710B Standard for Safety for Recirculating Systems, First Edition, Revised June 29, 2010; NFPA 96, Standard for Ventilation Control and Fire Protection of Commercial Cooking Operations, 2008 Edition; ANSI/UL 197 Standard for Safety for Commercial Cooking Appliances, 10th Edition, March 17, 2010, Revised June 24, 2011. CAN/CSA-C22.2 No. 109-M1981 Standard for Commercial Cooking Appliances; General Instruction No 1 - 3, Second Edition, dated June 1, 1981 (r2004)
Product:	Popcorn Machine
Models:	The base models for the Pop Clean Poppers are: 2011, 2670, 2671, 2848, 2860, 2872, 2873, 2875, 2911, 2948, 2960, 2972, 2973, 2975



[<- Back](#)

Product Description

Title: RECIRCULATING SYSTEMS
Company: GOLD MEDAL PRODUCTS CO. - Cincinnati, OH USA
Product Information: Trade Name(s): Pop Clean Popper.

Popcorn Machine, Model Nos. 2011, 2848, 2872, 2875, 2911, 2948, 2972, 2975 may be followed by suffix CED; may be followed by N; may be followed by P; followed by L, R; may be followed by S; may be followed by Z, F, B, N. Model Nos. 2011, 2848, 2860, 2861, 2872, 2873, 2911, 2948, 2960, 2972, 2973 may be followed by N; may be followed by P; followed by L, R; may be followed by S; may be followed by E, D, Z, F, B, N; may be followed by -001 to -999. Model Nos. 2011, 2670, 2671, 2848, 2860, 2872, 2873, 2875, 2911, 2948, 2960, 2972, 2973, 2975.

Evaluated to the following: A representative sample of the listed devices have been tested, investigated and found to comply with the requirements of the Standard(s) for Recirculating Systems (UL-710B) and are identified with the ETL Listed Mark.

[<- Back](#)

Contact Us

Americas+1-888-347-5478
 (or +1-312-906-7801)
 Email
dirlist@intertek.com

[Intertek Home](#)
[Product Directories](#)

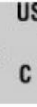
Inspector Center

Get up-to-date information on everything from our Accreditations to our Certifications and Marks. [Learn more...](#)

News

Intertek Unveils New Design for Product Safety and Quality Certification Marks. [Learn more...](#)

© 2010 Intertek All Rights Reserved.
 All other product or service names are the property of their respective owners.



[<- Back](#)

Product Description

Title: VENTILATION CONTROL & FIRE PROTECTION OF COMMERCIAL COOKING OPERATIONS

Company: GOLD MEDAL PRODUCTS CO. - Cincinnati, OH USA

Product Information: Trade Name(s): Pop Clean Popper.

Model Nos. 2011, 2670, 2671, 2848, 2860, 2872, 2873, 2875, 2911, 2948, 2960, 2972, 2973, 2975.

Evaluated to the following: A representative sample of the listed devices have been tested, investigated and found to comply with the requirements of the Standard(s) for Ventilation Control and Fire Protection of Commercial Cooking Operations (NFPA-96) and are identified with the ETL Listed Mark.

[<- Back](#)

Contact Us

Americas+1-888-347-5478
(or +1-312-906-7801)
Email
dirlist@intertek.com

[Intertek Home](#)
[Product Directories](#)

Inspector Center

Get up-to-date information on everything from our Accreditations to our Certifications and Marks. [Learn more...](#)

News

Intertek Unveils New Design for Product Safety and Quality Certification Marks. [Learn more...](#)

© 2010 Intertek All Rights Reserved.
All other product or service names are the property of their respective owners.



[<- Back](#)

Product Description

Title: COMMERCIAL ELECTRIC COOKING APPLIANCES
Company: GOLD MEDAL PRODUCTS CO. - Cincinnati, OH USA
Product Information: Trade Name(s): Pop Clean Popper, Pop Corn Popper.

Popcorn Machine, Model Nos. 2011, 2848, 2872, 2875, 2911, 2948, 2972, 2975 may be followed by suffix CED; may be followed by N; may be followed by P; followed by L, R; may be followed by S; may be followed by Z, F, B, N. Model Nos. 2011, 2670, 2671, 2848, 2860, 2861, 2872, 2873, 2911, 2948, 2960, 2972, 2973 may be followed by N; may be followed by P; followed by L, R; may be followed by S; may be followed by E, D, Z, F, B, N; may be followed by -001 to -999. Model Nos. 2011, 2670, 2671, 2848, 2860, 2872, 2873, 2875, 2911, 2948, 2960, 2972, 2973, 2975. Models 2861, 2873, 2973 are equipped with twin kettles. Also Tested To: CSA T.I.L. C-41.

Evaluated to the following: A representative sample of the listed devices have been tested, investigated and found to comply with the requirements of the Standard(s) for Commercial Electric Cooking Appliances (UL-197) and are identified with the ETL Listed Mark.

[<- Back](#)

Contact Us

Americas+1-888-347-5478
 (or +1-312-906-7801)
 Email
dirlist@intertek.com

[Intertek Home](#)
[Product Directories](#)

Inspector Center

Get up-to-date information on everything from our Accreditations to our Certifications and Marks. [Learn more...](#)

News

Intertek Unveils New Design for Product Safety and Quality Certification Marks. [Learn more...](#)

© 2010 Intertek All Rights Reserved.
 All other product or service names are the property of their respective owners.