

# Countertop Heated Display Cases - Curved/Square

## Standard Features

- Stainless steel exterior & interior
- Removable water pan to add humidity
- Electronic digital controller
- Three (3) stainless steel shelves standard
- Maintains temperatures between 86°F – 194°F
- Magnetic door gasket(s) standard for positive door seal
- Two(2) rear sliding glass doors
- LED interior lighting
- Leveling legs
- CHDC-44 and CHDS-53 use NEMA 5-15 plug
- CHDC-56 and CHDS-71 use NEMA 5-20 plug

### MODELS:

CHDC-44 / CHDC-56 / CHDS-53 / CHDS-71



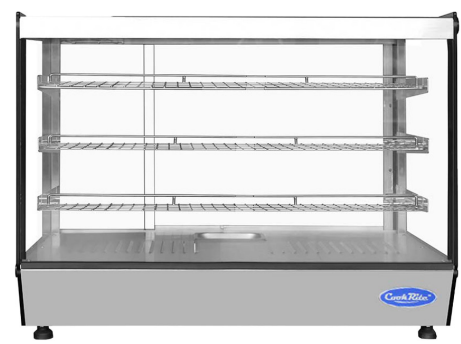
**CHDC-44**



**CHDC-56**



**CHDS-53**



**CHDS-71**



1 YEAR PARTS AND LABOR WARRANTY (US ONLY)



Conforms to ANSI  
STD Z83.11-2009 (2011)  
Certified for CA  
STD 1.8B-2009 (2011)  
Conforms to NSF/ANSI STD.4



REV. 02/25

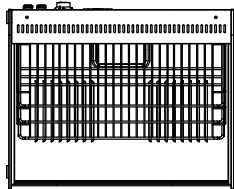
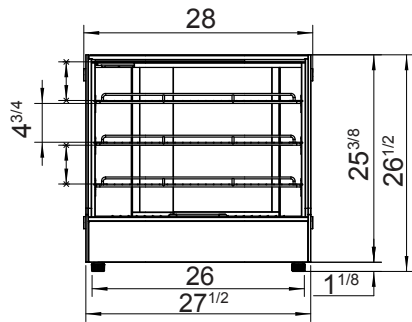
**"WE MAKE THE KITCHEN BETTER!"**

**SPECIFICATIONS**

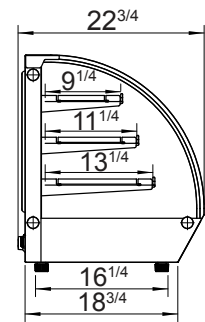
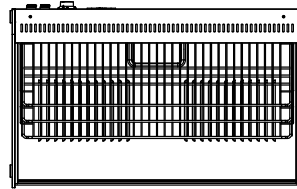
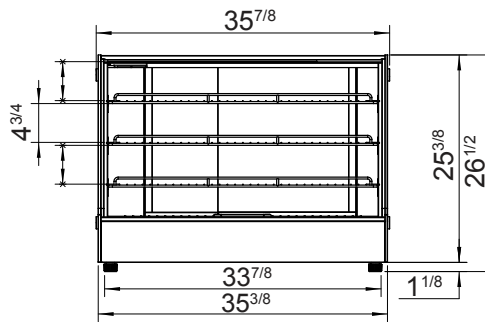
Models	Door	Capacity (Cu.Ft.)	Shelves	Rated Current (A)	Voltage (V/Hz/Ph)	Leveling Legs (Inch)	Power (W)	Exterior Dimensions (inch)	Net Weight (lb)	Gross Weight (lb)
CHDC-44	2	4.4	3	10.5	115/60/1	1.5	1250	28×22 <sup>3/4</sup> ×26 <sup>1/2</sup>	95	128
CHDC-56	2	5.7	3	13.7	115/60/1	1.5	1650	35 <sup>7/8</sup> ×22 <sup>3/4</sup> ×26 <sup>1/2</sup>	108	154
CHDS-53	2	5.3	3	10.5	115/60/1	1.5	1250	28×22 <sup>1/2</sup> ×26 <sup>1/2</sup>	101	135
CHDS-71	2	7.1	3	13.7	115/60/1	1.5	1650	35 <sup>7/8</sup> ×22 <sup>1/2</sup> ×26 <sup>1/2</sup>	121	168

**PLAN VIEW**

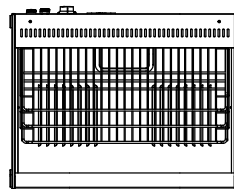
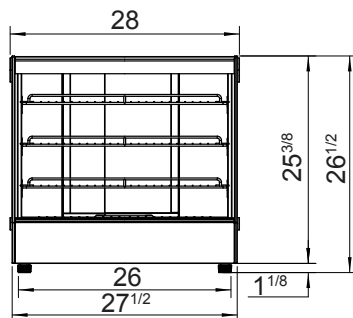
**CHDC-44**



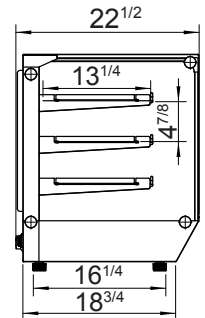
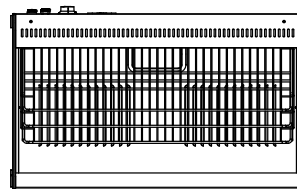
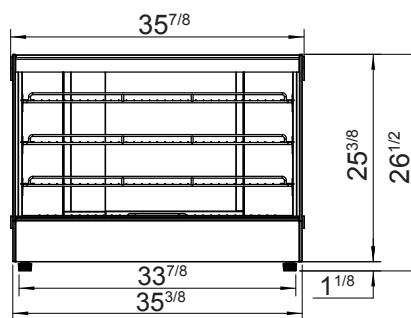
**CHDC-56**



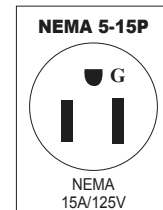
**CHDS-53**



**CHDS-71**



CHDC-44  
CHDS-53



CHDC-56  
CHDS-71

