



Profit from the Eagle Advantage®

Specification Sheet

Short Form Specifications

Eagle Mixer Stand, model _____. Top to be 16 gauge 300 series stainless steel with rolled edges on all sides. 24" O.A. working height. Constructed with uni-lok® patented gusset system, with the gussets recessed into the hat channels to reduce lateral movement.

- *Units with undershelf:* Heavy gauge galvanized or stainless steel adjustable undershelf. 1½" O.D. galvanized or stainless steel tubular legs with adjustable bullet feet.
- *Units with tubular base:* 1½" O.D. galvanized or stainless steel adjustable tubular legs with 1¼" O.D. galvanized or stainless steel tubular cross rails, and adjustable bullet feet.

Eagle Utensil Rack, model UR-501, for mixer stands. 1½"-diameter stainless steel rod with five ⅝" stainless steel rods, approximately 5" long, for utensils.



mixer stand shown with optional utensil rack

Options / Accessories

- Drawers
- Casters
- Utensil rack

EAGLE GROUP

100 Industrial Boulevard
Clayton, DE 19938-8903 USA

Phone: 302-653-3000 • 800-441-8440

Fax: 302-653-2065

www.eaglegrp.com • www.eaglemhc.com

For custom configuration or fabrication needs, contact our SpecFAB® Division.

Phone: 302-653-3000 • Fax: 302-653-2065 • e-mail: quotes@eaglegrp.com

Item No.: _____
 Project No.: _____
 S.I.S. No.: _____

Mixer Stands

MODELS:

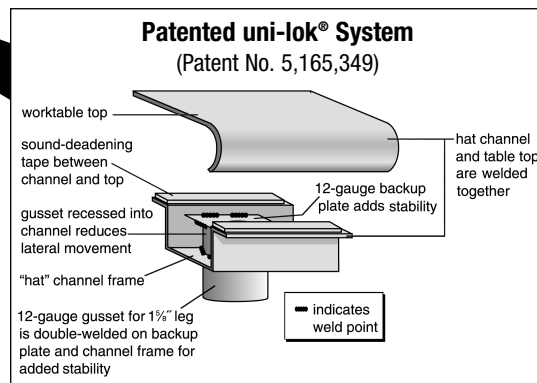
- | | | | |
|----------------------------------|-----------------------------------|-----------------------------------|-----------------------------------|
| <input type="checkbox"/> MS2424 | <input type="checkbox"/> MS3036 | <input type="checkbox"/> TMS3024 | <input type="checkbox"/> TMS3636 |
| <input type="checkbox"/> MS2424S | <input type="checkbox"/> MS3036S | <input type="checkbox"/> TMS3024S | <input type="checkbox"/> TMS3636S |
| <input type="checkbox"/> MS3024 | <input type="checkbox"/> MS3636 | <input type="checkbox"/> TMS3030 | <input type="checkbox"/> CA4-SB |
| <input type="checkbox"/> MS3024S | <input type="checkbox"/> MS3636S | <input type="checkbox"/> TMS3030S | <input type="checkbox"/> CA6-SB |
| <input type="checkbox"/> MS3030 | <input type="checkbox"/> TMS2424 | <input type="checkbox"/> TMS3036 | <input type="checkbox"/> CAH4-SB |
| <input type="checkbox"/> MS3030S | <input type="checkbox"/> TMS2424S | <input type="checkbox"/> TMS3036S | <input type="checkbox"/> CAH6-SB |
| | | | <input type="checkbox"/> UR-501 |

Mixer Stands

- Highly-polished die-formed 16 gauge 300 series stainless steel tabletop, with rolled front edge and ends turned down at 90°.
- Uni-lok® gusset system (patent #5,165,349): gusset is recessed into hat channel underside tabletop, reducing lateral movement.
- Galvanized or stainless steel base available with adjustable undershelf or adjustable tubular frame.
- 1½" (41mm)-diameter legs are galvanized with adjustable non-marking plastic bullet feet, or stainless steel with stainless steel adjustable bullet feet.
- Tabletop weight capacity: 600 lbs. (272.2 kg).
- Undershelf weight capacity: 150 lbs. (68.0 kg).

Optional Utensil Rack—#UR-501

- Five ⅝" (8mm)-diameter stainless steel utility rods approximately 5" (127mm) in length.
- 1½" (41mm)-diameter stainless steel tubular support, 54" (1371mm) height.



Certifications / Approvals



AUTOQUOTES



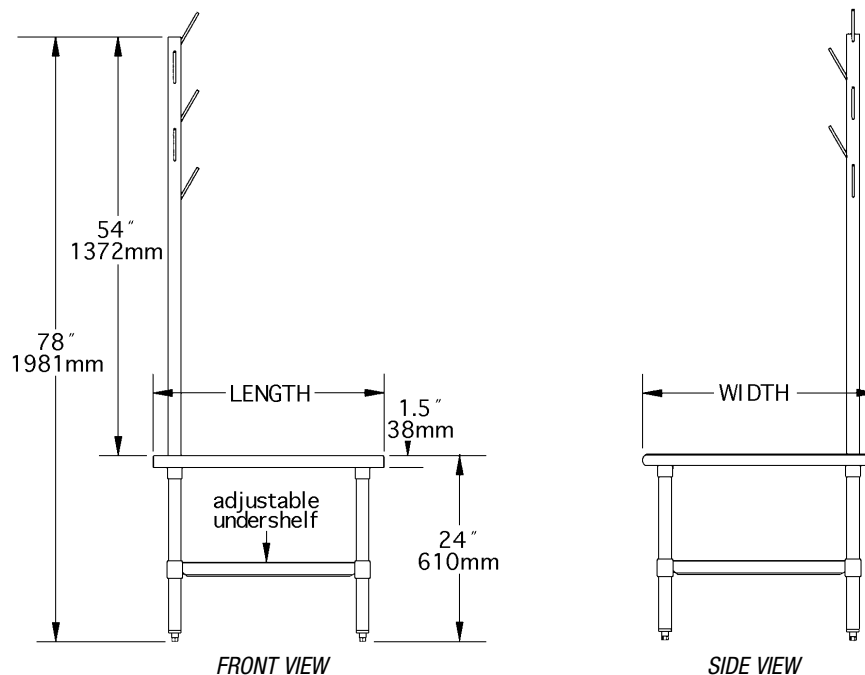
EG10.26A Rev. 09/21

Spec sheets available for viewing, printing or downloading from our online literature library at www.eaglegrp.com

Eagle Foodservice Equipment, Eagle MHC, and SpecFAB® are divisions of Eagle Group. ©2021 by the Eagle Group

Item No.: _____
 Project No.: _____
 S.I.S. No.: _____

Mixer Stands



(mixer stand with optional utensil rack)

width			length		weight		...WITH UNDERSHELF		...WITH TUBULAR BASE	
in.	mm		in.	mm	lbs.	kg	with galvanized legs	with stainless steel legs	with galvanized legs	with stainless steel legs
							model #	model #	model #	model #
24"	610		24"	610	42	19.1	MS2424	MS2424S	TMS2424	TMS2424S
30"	762		24"	610	47	21.3	MS3024	MS3024S	TMS3024	TMS3024S
30"	762		30"	762	49	22.2	MS3030	MS3030S	TMS3030	TMS3030S
30"	762		36"	914	51	23.1	MS3036	MS3036S	TMS3036	TMS3036S
36"	914		36"	914	53	24.0	MS3636	MS3636S	TMS3636	TMS3636S



Optional Casters

description	weight cap. per caster		model #
	lbs.	kg	
4" (102mm)-dia., set of four (two swivel, two w/brake)	115	52.2	CA4-SB
4" (102mm)-dia., set of six (three swivel, three w/brake)	115	52.2	CA6-SB
5" (127mm)-dia., set of four (two swivel, two w/brake)	200	90.7	CAH4-SB
5" (127mm)-dia., set of six (three swivel, three w/brake)	200	90.7	CAH6-SB

Optional Utensil Rack

weight		
lbs.	kg	model #
23	10.4	UR-501

EAGLE GROUP

100 Industrial Boulevard, Clayton, DE 19938-8903 USA

Phone: 302-653-3000 or 800-441-8440 • Fax: 302-653-2065

www.eaglegrp.com • www.eaglehmc.com

Printed in U.S.A.
©2021 by Eagle Group

Rev. 09/21

Spec sheets available for viewing, printing or downloading from our online literature library at www.eaglegrp.com

Although every attempt has been made to ensure the accuracy of the information provided, we cannot be held responsible for typographical or printing errors. Information and specifications are subject to change without notice. Please confirm at time of order.