

Champion[®]

The Dishwashing Machine Specialists

PROJECT: _____

ITEM # _____ QTY: _____

MODEL # _____

AIA # _____ SIS # _____

UH 140B

UNDERCOUNTER HIGH TEMPERATURE



Rendered image is for general visual representation only. Please refer to specifications for the latest detailed product information.

OPTIONS & ACCESSORIES

- Additional Dish Racks
 - Peg
 - Flat
- 17" Stand** Stainless Steel
- 6" Stand** Stainless Steel
- 6 kW High Speed **Rise Booster**
- 1" Roller Kit** available (includes 4 casters)
- Drain water tempering kit** (unmounted)

STANDARD FEATURES

- **ENERGY STAR[®] Qualified**
Energy efficient – 30 amp. breaker with 4 kW booster heater (optional 6 kW – high speed available)
- **Low 0.84 US gal. (0.7 imp.gal/3.2l) water usage per rack**
- **120 second cycle time. 30 racks per hour capacity**
- **Bright LCD Control Display**
clearly identifies temperature, cycle time and state of operation
- **Auto Clean**
washes chamber at shutdown
- **Advanced Service Diagnostics**
designed to reduce operating costs
- **Fill Guard**
monitors incoming water pressure to ensure proper fill level and rinse performance
- **Drain Guard**
auto drain that monitors and ensures proper draining of machine
- **Rinse Guard**
ensures proper 180°F /82°C final rinse temperature
- **Solid state controls**
- **Robust, counter-balanced, double skin door**
- **Double wall tank construction for quiet operation**
- **All standard-peristaltic liquid detergent and rinse-aid dispensing pumps, top and side panels, 2 kW tank heater, flexible fill and drain lines with water strainer and pressure regulating valve for trouble-free operation**
- **Complete with one peg and one flat bottom rack (20" x 20" / 508mm x 508 mm)**

SPECIFIER STATEMENT

Specified unit will be a fresh water rinse type high temperature undercounter dishwashing machine with built-in booster.

Machine will be equipped with: LCD temperature readouts and cycle progress indicators. It will feature a fill guard device to ensure proper fill and rinse performance as well as a drain guard to monitor and ensure proper draining of the machine. It will have an automatic pumped drain and an auto-clean feature that washes the chamber at shutdown.

Machine will have standard liquid detergent and rinse-aid dispensing pumps as well as a rinse-sentry feature to ensure proper 180°F final rinse temperature.

1 year parts and labor warranty.

Note: Always follow local building code guidelines.



In the USA:

3765 Champion Blvd, Winston-Salem, NC 27105
Tel: (336) 661-1556 Fax: (336) 661-1979
www.championindustries.com

In Canada:

2674 N. Service Rd., Jordan Station, Ontario, Canada LOR1S0
Tel: (905) 562-4195 Fax: (905) 562-4618
www.championmoyerdiebel.ca

SPECIFICATIONS

Capacities

*Racks per hr.	30
Cycle time (seconds)	120

Motor Horsepower

Wash	1
------	---

Water Consumption

U.S. Gal./Imperial Gal. (Max. use) per hr.	20.1 (16.7/76)
U.S. Gal./Imperial Gal. per rack	0.84 (0.7/3.2)

Temperature °F/°C

Wash	150/66
Rinse	180/82

Heating

Tank heat, electric, (kW)	2
Electric booster, (kW)	4/6

Time Cycle in seconds

Wash	100
Rinse	15
Dwell	5
Total cycle	120

Standard 20" x 20" Rack Complement

Dish	1
Open	1

*Excludes 30 second NSF load/unload time

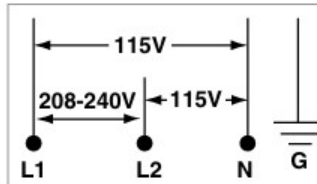
UH140B with 4 kW Electric Rise Booster			
Elec. Specs	Rated Amps	Minimum Supply Ckt. Conductor Ampacity	Maximum Overcurrent Protective Device
208-240/60/1	22-24	30	30

UH140B with 6 kW Electric Rise Booster			
Elec. Specs	Rated Amps	Minimum Supply Ckt. Conductor Ampacity	Maximum Overcurrent Protective Device
208-240/60/1	29-31	40	40

Utilities

1 Electrical 208-240/60/1; 3 wire + ground; hard wiring required
2 Hot Water 140°F/60°C Min recommended, connection for 4 kW rise booster. 110°F/43°C Min., connection for 6 kW rise booster. 5 ft. long 1/2" I.D. flexible fill hose with 3/4" FNPT connection. Flow pressure: 18-22 psi (124-152 kPa), PRV supplied standard.
3 Drain Connection 6 ft. long, 3/4" I.D. flexible hose supplied with machine Max. drain flow: 8 US gpm; 7 imp gpm

Complies with ANSI/ASSE 1440 Sections 1.4.3 & 1.4.4



***Note:** Electrical supply service must be a 3-wire plus ground for connection as shown.

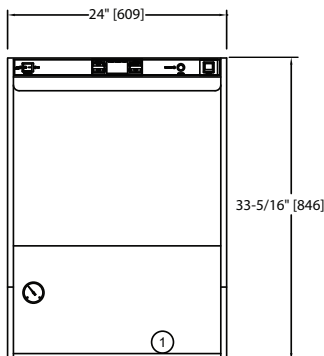
Warning: Plumbing, electrical connections should be made by qualified personnel who will observe all the applicable plumbing, sanitary and safety codes and the National Electrical Code.

Plumbing Notes: Because of the variation in house-supplied steam and water pressures, steam and water pressure regulating valves (PRVs) may be needed. (Water PRV is standard on machines with booster.) The PRVs can either be purchased from Champion or obtained locally.

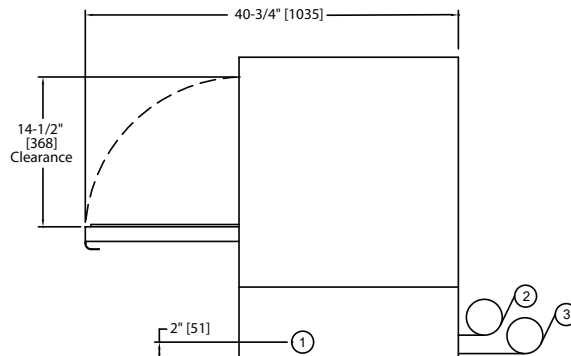
Champion does not endorse using on-demand (tankless) water heating systems, as well as PEX and other plumbing materials that may

limit water flow, as these could impair machine performance. For optimal results, we recommend using appropriately sized conventional hot water tanks and standard copper water supply lines that adhere to our specifications. Not following these recommendations may void the manufacturer's warranty.

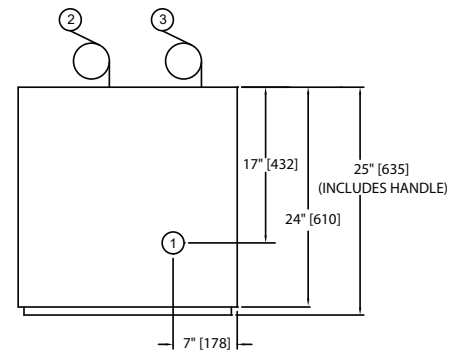
Water hardness of 3 grains/US Gal (0.83 Imp Gal) - 5.3 Mg/L or less



Front View



Side View



Plan View

***Note:** Allow additional 3" clearance from wall.

In the USA: 3765 Champion Blvd, Winston-Salem, NC 27105 | Tel: (336) 661-1556 Fax: (336) 661-1979 | www.championindustries.com

In Canada: 2674 N. Service Rd., Jordan Station, Ontario, Canada LORISO | Tel: (905) 562-4195 Fax: (905) 562-4618 | www.championmoyerdiebel.ca