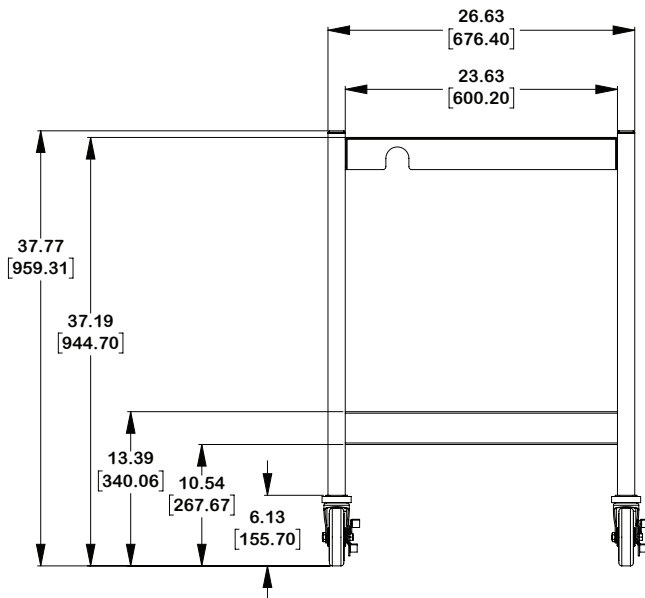
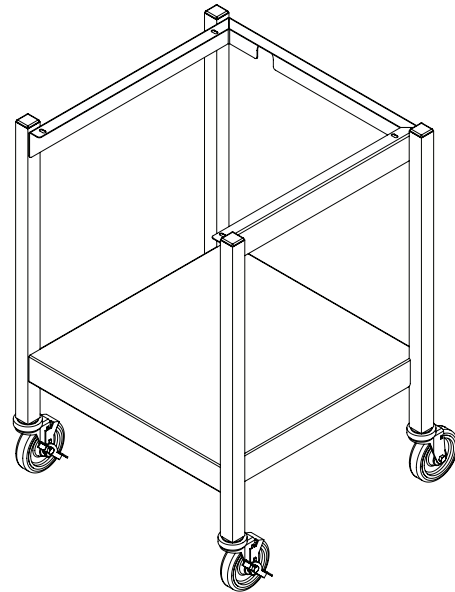
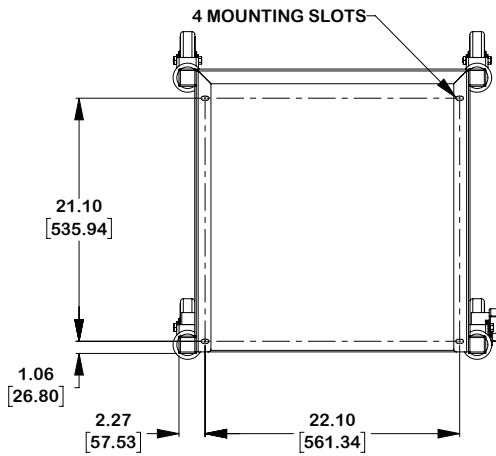


Project: _____ Location: _____ Item #: _____ Quantity: _____

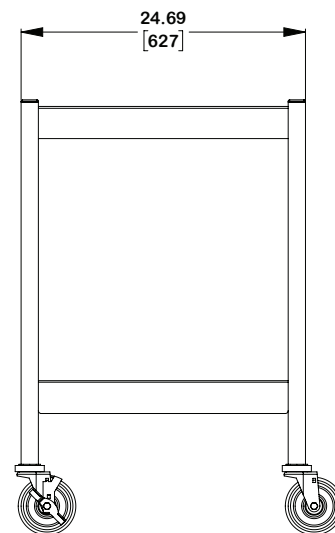
Standard Features

- Stainless steel support stand with shelf for AccuTemp Evolution™ and Steam&Hold™ steamers
- Stand will hold (1) AccuTemp steamer and has the option of 5" casters, adjustable bullet feet, or flanged feet
- Compatible with Steam&Hold™: Electric, 3-pan or 6-pan connectionless steamers
- Compatible with Evolution™: Electric, natural gas or propane, 3-pan or 6-pan, connected or connectionless steamers

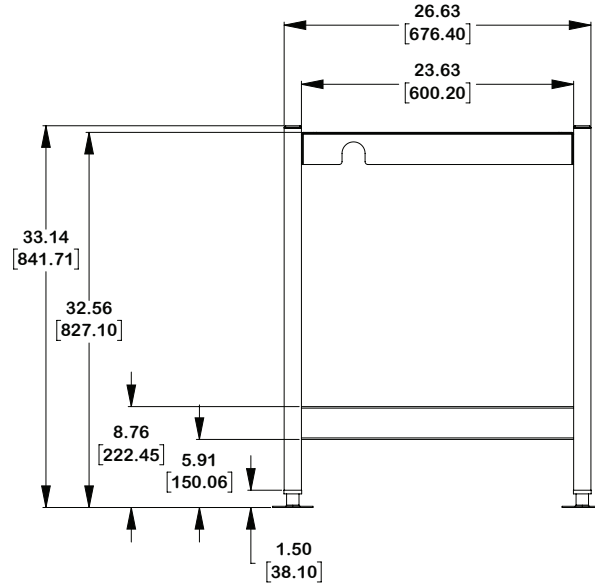
Approvals



SINGLE UNIT STAND SNH-11-00

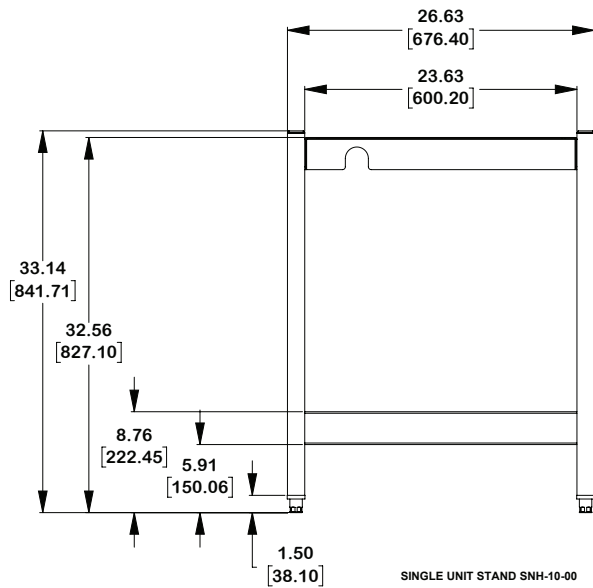


Single steamer stand with casters



SINGLE UNIT STAND SNH-13-00

Single steamer stand
with flanged feet



SINGLE UNIT STAND SNH-10-00

Single steamer stand
with bullet feet