

"CUCD-WC" CUCINA AMERICANA COLLECTION *Cucina D'Amico Wine Cart - 5" Thick End Grain Top*

FEATURES:

- Northern Hard Rock Maple, American Black Walnut, Or American Cherry
- End Grain Construction
- Food Service Grade Stainless Steel Base & Double Wine Rack Shelving System
- Includes Stainless Steel Towel Bar
- Electrical Outlet Strip Recessed Underneath Block
- Commercial Grade 3" Locking Casters
- Boos Block Cream With Beeswax Finish
- Shipped Knocked Down

CERTIFICATIONS:



NHLA



CUCD15WC



INCLUDED ELECTRICAL OUTLET STRIP



DOUBLE WINE RACK SHELVING SYSTEM



WAL-CUCD15WC



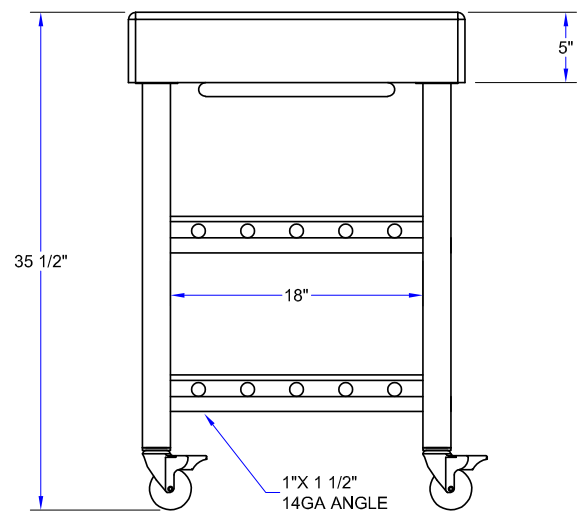
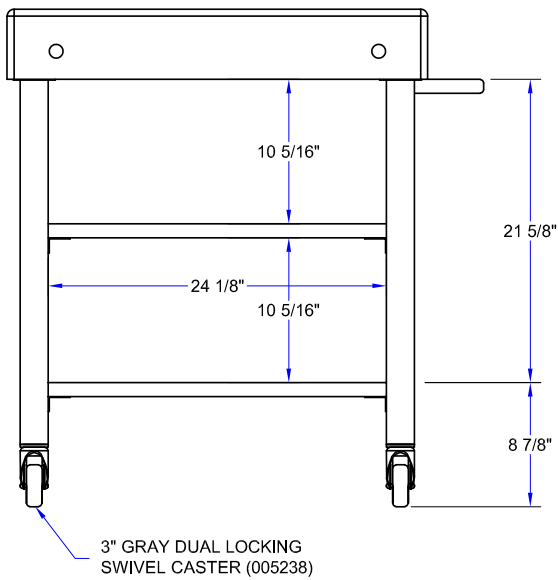
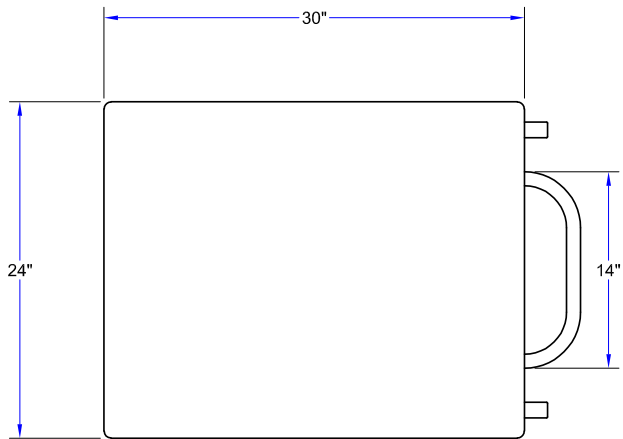
CHY-CUCD15WC

"CUCD-WC" CUCINA D'AMICO WINE CARTS

MODEL	DESCRIPTION	TOP SIZE (L X W X H)	OVERALL HEIGHT	WT. (LBS)
CUCD15WC	Maple	30"x24"x5"	35-1/2"	150
WAL-CUCD15WC	Walnut	30"x24"x5"	35-1/2"	130
CHY-CUCD15WC	Cherry	30"x24"x5"	35-1/2"	140

ALL DIMENSIONS ARE TYPICAL. TOLERANCE +/- .500". JOHN BOOS & CO. RESERVES THE RIGHT TO CHANGE SPECIFICATIONS WITHOUT NOTICE.

DETAILED SPECIFICATIONS



"CUCD-WC" CUCINA D'AMICO WINE CARTS

MODEL	DESCRIPTION	TOP SIZE (L X W X H)	OVERALL HEIGHT	WT. (LBS)
CUCD15WC	Maple	30"x24"x5"	35-1/2"	150
WAL-CUCD15WC	Walnut	30"x24"x5"	35-1/2"	130
CHY-CUCD15WC	Cherry	30"x24"x5"	35-1/2"	140

ALL DIMENSIONS ARE TYPICAL. TOLERANCE +/- .500". JOHN BOOS & CO. RESERVES THE RIGHT TO CHANGE SPECIFICATIONS WITHOUT NOTICE.