

Mobile Pizza Kiosk

Standard Features

FRAME: Featuring frameless construction utilizing 16 gauge stainless steel formed end panels with top and bottom horizontal members of 16 gauge stainless steel.

CASTERS: Heavy duty 5" diameter plate casters with gray rubber tires. Brake models to be supplied on all casters.

TOP: 14 gauge stainless steel with 2" turndown on all sides and sound deadening applied between top and frame.

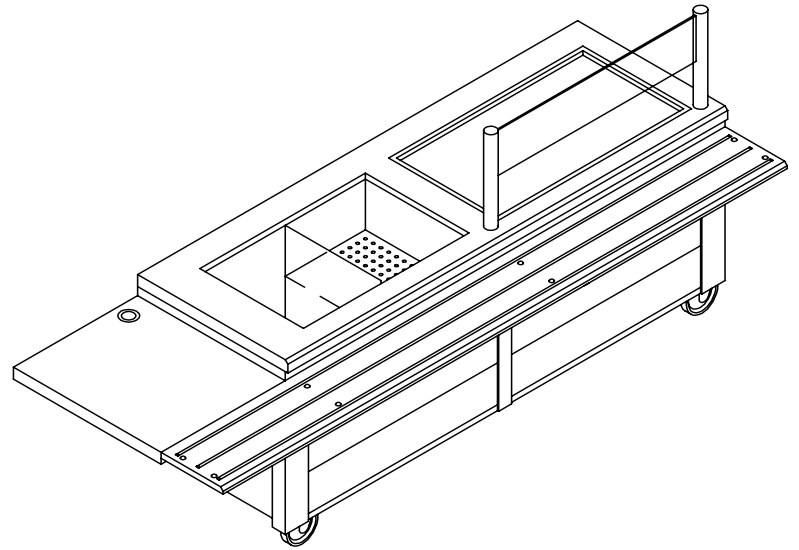
FRONT BODY PANEL: Plastic laminate or stainless steel front panel.

CONTROL PANEL: All switches to be centrally located in common control panel assembly.

HEATED RECESS: 1" deep stainless steel recessed heated pan for whole pizza or individual slices.

INSULATED DRINK/SALAD BIN: Insulated deep ice bin for cold drinks with removable divider/filler to accommodate pre-made salads and dressings.

STAINLESS STEEL SPECIFICATION: All stainless steel to be type 304 with number 4 finish.

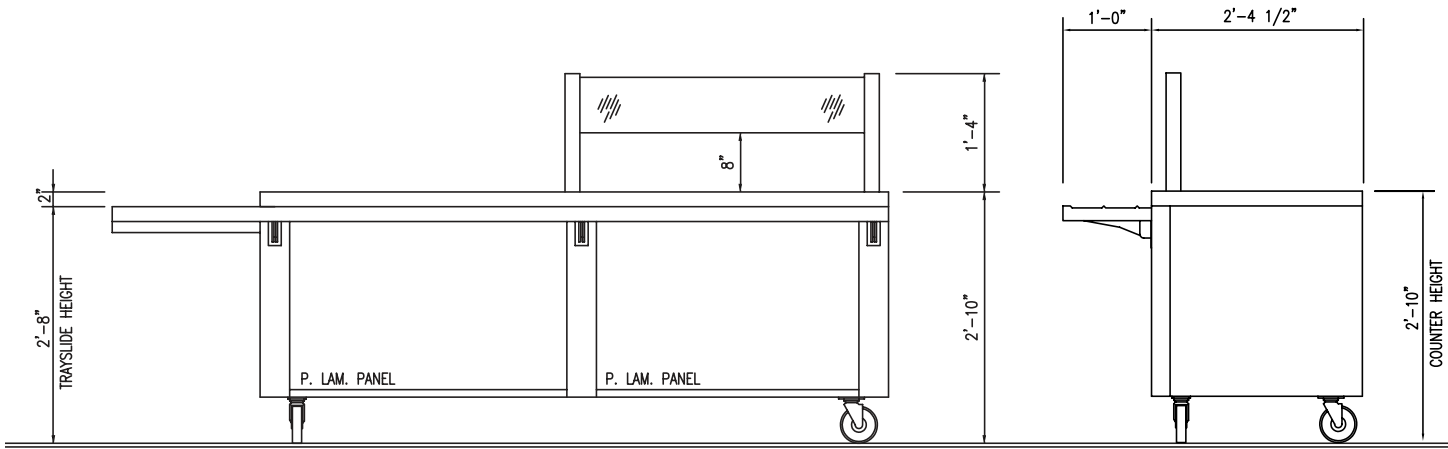


MODEL	LENGTH	WIDTH	HP	VOLTS	PHASE	AMPS	NEMA CORD/CAP	APPROX. SHIP WEIGHT
MCT-PZKS	105"	-	-	120	1	11.7	NEMA L14-30P	875 lbs



2320 Peyton Houston, Texas 77032
Phone 281-442-8001 Toll Free: 888-955-5463 Fax: 281-442-3351 www.mod-u-serve.com

Mobile Pizza Kiosk



Optional Features

TRAYSLIDE: Stainless steel or Corian® trayslide mounted on fold down brackets.

FRONT BODY PANEL: Ceramic tile front panel.

CANOPY: Canvas canopy

SERVING SHELF OR SNEEZEGUARD: 16 gauge stainless steel or Corian® serving shelf with sneezeguard. Custom sneezeguard also available.

CASHIER SHELF: 14 gauge stainless steel fixed shelf with cord grommet in top for access to electrical outlet below.



Mod-U-Serve reserves the right to modify specifications or discontinue models without notice or incurring obligation.



2320 Peyton Houston, Texas 77032

Phone 281-442-8001 Toll Free: 888-955-5463 Fax: 281-442-3351 www.mod-u-serve.com

MUS.24 11/05