

Specification/Datasheet

Mobile oven rack model 20-half size - 16 racks



Article number

60.21.288

Description

Mobile oven rack to hold GN accessories. For fast and convenient loading and unloading of the cooking system.



Intended use

This product is intended for professional use, such as in restaurant kitchens or catering operations for schools, hospitals, or delis. Any other use runs counter to its intended purpose and could be dangerous. RATIONAL AG assumes no liability for the consequences of improper use.

Features

- 16 support rails with a 3 1/8 in (80 mm) rail distance
- Secures the containers with a lock
- Can be loaded with containers on both sides
- Tilt protection when pulling out the container using U-rails
- 4 casters (of which 2 are lockable)
- Removable drip tray. Can be emptied via the drain
- Removable handle

Capacity

1/1 GN	Roasting and baking trays	16 x
1/1 GN	Grid	16 x
1/1 GN	3/4 in (20 mm) deep	16 x
1/1 GN	1 1/2 in (40 mm) deep	16 x
1/1 GN	2 1/2 in (65 mm) deep	16 x
1/1 GN	4 in (100 mm) deep	8 x
H4-1/2 (up to 2.9 lb)	Chicken Superspike	12
H6-1/1 (up to 4 lb)	Chicken Superspike	6 x
H8-1/1 (up to 2.9 lb)	Chicken Superspike	6 x
H10-1/1 (up to 2 lb)	Chicken Superspike	6 x

Use of other containers: 1/3 GN, 1/2 GN, 2/3 GN

Dimensions and weights

Space between bottom rack and cooking cabinet opening:	4 5/8 in (118 mm)
Space between top rack up to the cooking cabinet opening:	5 1/8 in (131 mm)
Max. rack height:	63 in (1,62 m)
Max. load capacity:	198 lb (90 kg)
Max. load capacity per level:	33 lb (15 kg)

Dimensions and weights

Width (W):	22 1/4 in (566 mm)
Height (H):	68 5/8 in (1,742 mm)
Depth (D):	32 3/8 in (822 mm)
Weight:	73.2 lb (33.2 kg)

Specification/Datasheet

Mobile oven rack model 20-half size - 16 racks



Material

Stainless steel (CNS 1.4301/AISI 304)

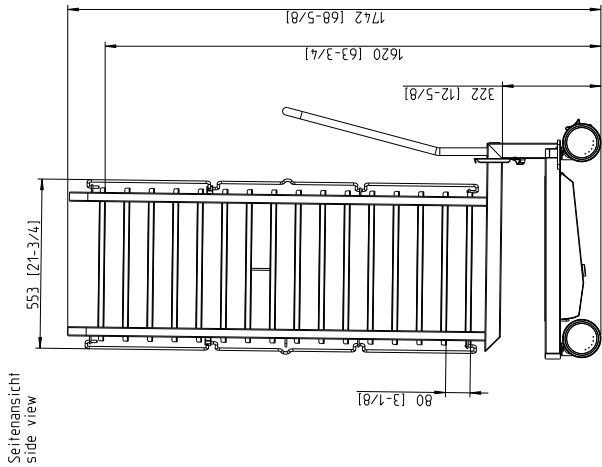
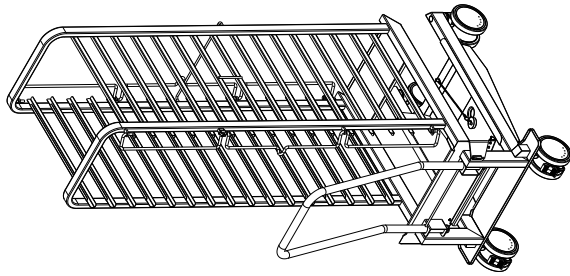
Tandem casters - plastics, metal parts made from CNS stainless steel

Note, Option

- Please refer to the original manual of the associated device for cleaning and care instructions
- Positioning aid for core probe
- Thermocover

Specification/Datasheet

Mobile oven rack model 20-half size - 16 racks



mm (inch)

