

11 QT SINAQUA™ SOUPER



PERFORMANCE

The SinAqua™ Souper is a portable countertop unit from CookTek used for rethermalizing food and precision holding. Employing a forward-thinking design and high-contrast, easy-to-use capacitive touch control, the SinAqua™ Souper can take liquid foods from an unfrozen, chilled state through the food safety danger zone in as little as 45 minutes.† After rethermalization, food is held at a precise temperature within a selectable range of 140–200 °F (60–95 °C). Utilizing CookTek inductive heating technology, the SinAqua™ Souper consistently heats food without scorching and holds food twice as long as steam wells, while using less than half the energy. The SinAqua™ Souper eliminates maintenance and plumbing associated with traditional soup warmers.

† Requires stirring

FEATURES

- SinAqua™ (waterless) holding and rethermalization
- 800 watts induction heating
- Available in brushed aluminum or powder-coated black or red (US only)
- User-selectable precision hold and rethermalization functions
- Holding temperatures range from 140–200 °F (60–95 °C)
- Rethermalizing temperatures range from 170–200 °F (75–95 °C)
- Programmable stir notification, defaults to four minutes when rethermalizing and 15 minutes when holding
- Pan compensation technology allows for use with magnetic and non-magnetic soup tureens**
- Active dry-pan protection prevents users from unintentionally damaging the unit
- Highly visible and durable capacitive touch user interface
- Audible and visual cues
- Spun aluminum exterior construction and high-gloss polycarbonate fascia and tureen liner

STANDARD INCLUDED ACCESSORIES

- 6-ft (1.8 m) nominal plug and cord
- One 11 qt 18/8 stainless steel soup tureen and lid for maximum performance, durability, and corrosion resistance
- Two-year advanced replacement warranty (U.S. and Canada only)

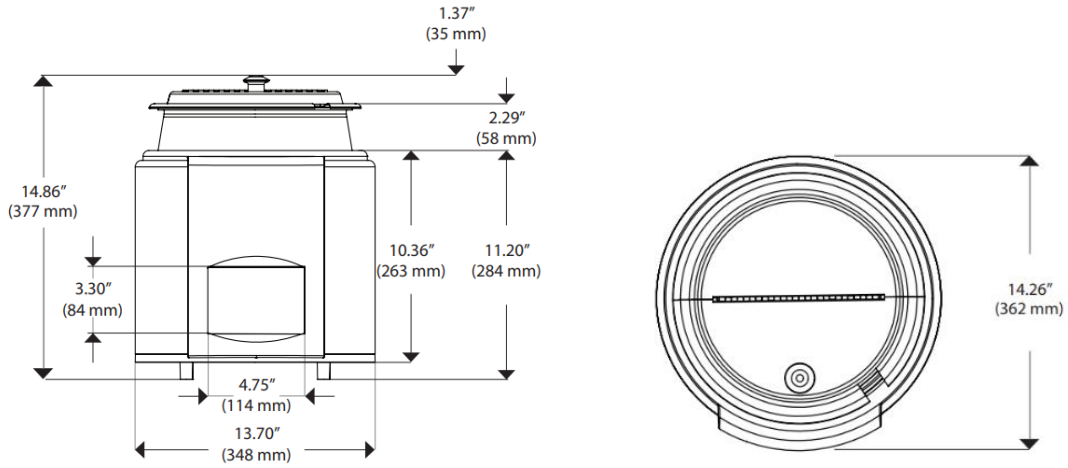
OPTIONAL ACCESSORIES

- 11 qt 18/8 stainless steel soup tureen with lid (#302408)
- 11 qt stainless steel drop-in soup tureen adapter ring (#302393)
- 11 qt Bain-marie kit (includes water bath, 11 qt soup tureen, and lid) (#CTS-3015)



**The SinAqua Soupers are designed to be used exclusively with CookTek-specific tureens and lids.

It is the owner and installer's responsibility to comply with all local codes. CookTek reserves the right to substitute components or change specifications without prior notice.



DIMENSIONS		
Unit Height	14.86"	370 mm
Width	13.72"	348 mm
Depth	14.27"	362 mm
Weight	12.90 lb	5.9 kg
Max Ambient Temperature	131 °F	55 °C

SHIPPING INFORMATION		
Packaged Height	18"	457 mm
Packaged Width	17"	432 mm
Packaged Depth	17"	432 mm
Packaged Weight	17 lb	7.7 kg
Item Class	1405001104	

ELECTRICAL SPECIFICATIONS			
UNITED STATES/CANADA			
SAS081-11	<ul style="list-style-type: none"> 676101-AL 676101-BLK 676101-RED 	100–120 VAC, 50/60 Hz, 7 A, 800 W	NEMA 5-15P
UK/MIDDLE EAST			
SAS082-11	676202	200–240 VAC, 50/60 Hz, 4 A, 800 W	BS1363, 13 A, 230 V
INTERNATIONAL			
SAS082-11	676203	200–240 VAC, 50/60 Hz, 4 A, 800 W	CEE 7/7 Schuko, 16 A, 250 V
AUSTRALIA			
SAS082-11	676204	200–240 VAC, 50/60 Hz, 4 A, 800 W	AS/NZS 3112:2000, 10 A, 250 V
SOUTH AFRICA			
SAS082-11	676207	200–240 VAC, 50/60 Hz, 4 A, 800 W	BS 546, 16 A, 250 V
ISRAEL			
SAS082-11	676208	200–240 VAC, 50/60 Hz, 4 A, 800 W	SI 32, 16 A, 250 V

