

Expanding Stem Stainless Steel Casters

1" Stem Work Table Caster with Gray Rubber Wheel

Certifications:



Features:

- Fits Standard 1" Tubing by Expanding the Stem Creating a Secure Fit
- Stainless Steel
- Double Ball Bearing Raceway for Long Wear and Added Strength
- With or Without Top Lock Brake
- Raceway Dust Cover

Material:

- Resistant to Oil, Grease, Water and Most Solvents
- Non-Marking
- Temperature Range -45° to 180°F
- Nylon Bearing Sleeve
- Gray Rubber Wheel

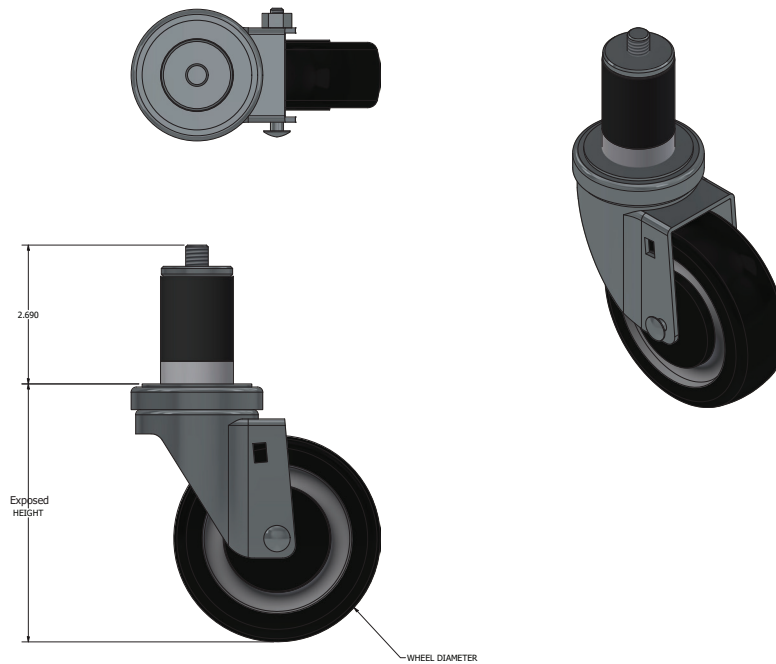


TLB version
(Top Lock Brake)



5SS-1RA-GR

Part Number	Brake	Exposed Height	Wheel Size	Capacity
5SS-1RA-GR	-	6"	5"	250 LBS
5SS-1RA-GR-TLB	TLB	6"	5"	250 LBS



PRODUCT DATA SHEET

RESOURCES

