

Master Series Infra-Red Salamander Broiler

Project _____
 Item _____
 Quantity _____
 CSI Section 11400
 Approved _____
 Date _____

Models

- MSR16M
- MSRCM



Model MSR16M
Range-Mount

Standard Features

- Range-Mount prefix 16M – stainless steel front, sides, top, backsplash, and bottom w/heat shield
- Counter-suffix CM – stainless steel front sides, and top – C/W 4" (102mm) legs
- Fixed-position broiling rack with flat or easy-view tilt position, roll in, roll-out back
- Large capacity removable grease pan
- 1/2" NPT top gas inlet range and wall mount models. Rear gas inlet counter top models.
- Two (2) 20,000 BTU (5.86 kw) atmospheric infra-red burners, each controlled with Hi-Lo valve

Options & Accessories

- Stainless steel main back.
- Stainless steel main bottom for models with RCM suffix
- Stainless steel bottom for counter models placed on counters not required if ordering wall mounting bracket option.
- Brackets for wall-mounting and stainless steel bottom w/heat shield – RCM Models
- Interconnecting gas piping for range mount

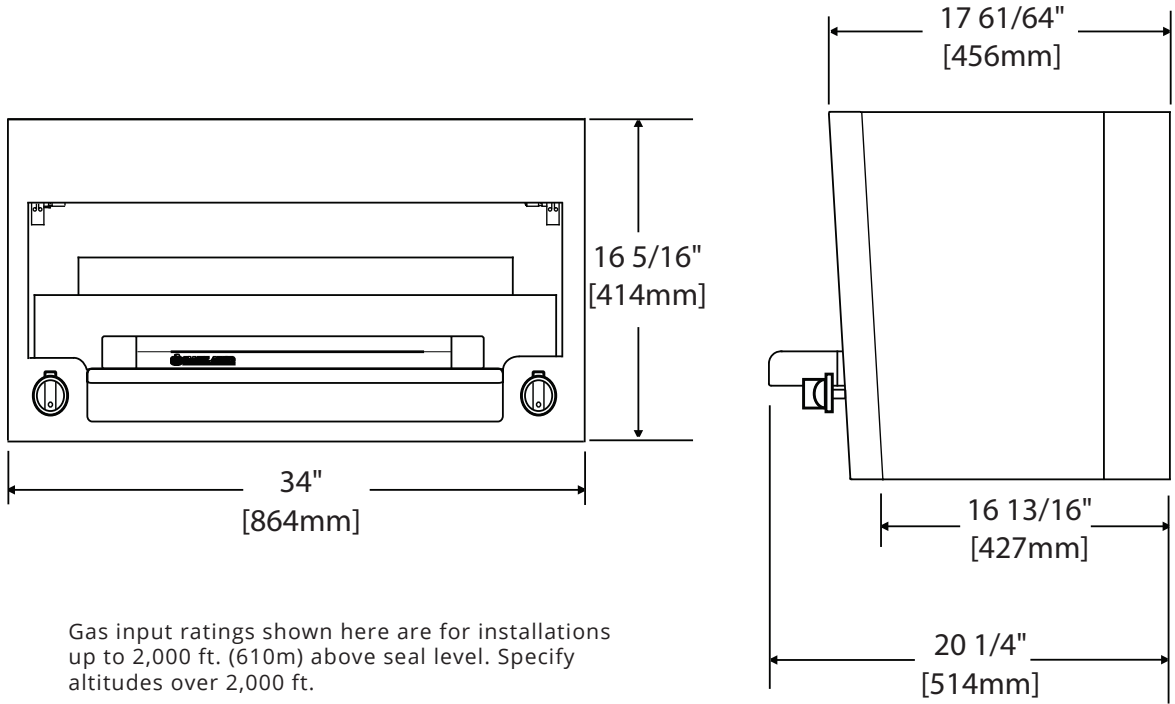
Specifications

Range-mount gas infra-red salamander broiler. Two 20,000 BTU (5.86 kw) atmospheric burners, each with a Hi-Lo valve. Fixed position, roll-in, roll-out broiling rack with flat or tilt positions. 34" (864mm) wide x 18" (457mm) deep x 35-1/2" (902mm) high backguard to top of broiler housing. 16-1/4" (413mm) high broiler housing only. 40,000 BTU (11.72kw) total natural gas.



Master Series Infra-Red Salamander Broiler

Master Series Infra-Red Salamander Broiler



Gas input ratings shown here are for installations up to 2,000 ft. (610m) above seal level. Specify altitudes over 2,000 ft.

Garland/U.S. Range products are not approved or authorized for home or residential use, but are intended for commercial applications only.

Garland/U.S. Range will not provide service, warranty, maintenance or support of any kind other than in commercial applications. Please specify gas type when ordering.

Product	MSR16M	MSRCM
Width: In(mm)	34(864)	34(864)
Depth: In(mm)	20-1/4(514)	20-1/4(514)
Height: In(mm)	35-5/8(965)	17(432)
INPUT:BTU/hr(kw)(Natural Gas)	40,000 (11.72)	40,000 (11.72)
Shipping Wt:(LB/KG)	200/91	170/77
Cu Ft	38.2	21

Installation Notes:					
Combustible Wall Clearances ¹		Entry Clearances In (mm)		Manifold Operating Pressure	Minimum Supply Pressure
Sides	Back	Crated	Uncrated	Natural Gas	Natural Gas
0"	0"	26-3/4" (680mm)	21" (533mm)	4" WC (10mbar)	7" WC (17mbar)

¹ For installations in non-combustible locations only

Garland reserves the right to make changes to the design or specifications without prior notice.