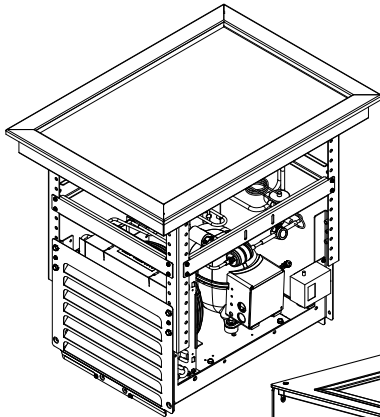




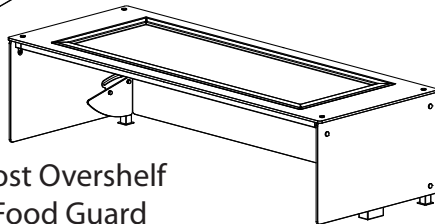
Your Solutions Partner

Specifications

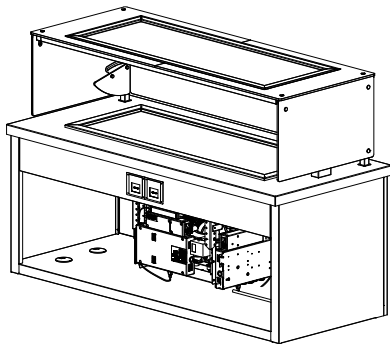
F.O.B. Sedalia, Missouri 65301



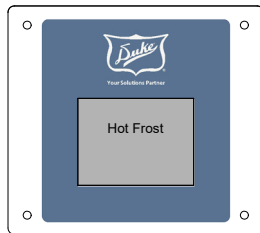
Recessed Hot/Frost Drop-In



Recessed Hot/Frost Overshelf Shown in BGA Food Guard



Recessed Hot/Frost Dual Evaporator



OPTIONS:

- Stone inserts in 3 different colors for a more retail upscale look
- Available as hot only or cold only
- Basic mechanical control
- 5 Degree Slant Kit
- Drain Option - Available only on lower 2 and 3 section units
- Duplexed Evaporative system for stacked Overshelf & drop-in

DUKE MANUFACTURING CO.

2305 N. Broadway
 St. Louis, MO 63102
 800.735.3853 Toll Free
 314.231.5074 Fax
 www.dukemfg.com
 SS-1265 Recessed Hot Frost

Approval Stamp(s):

Recessed Hot Frost

PRODUCT INFORMATION:

PROJECT: _____

ITEM: _____

QUANTITY: _____

MODEL:

Recessed Hot Frost, Hot Frost Over Shelf, and Duplex Hot and Cold

- Models Listed on following pages
- Hot and Cold | Hot and Cold Configuration
- Hot Only | Hot Only Configuration
- Cold Only | Cold Only Configuration
- The #1 benefit of the Duke Stainless steel recessed HotFrost 18"x 26" pan top merchandiser is versatility, flexibility and speed of line reload to handle high throughput in short period of time
- Change your serving configuration daily and from breakfast to lunch as your menu dictates.
- Switch from Hot or Cold display merchandising as your menu dictates.
- Change the way food is served and merchandised with pre plated and pre portioned foods.
- Recessed HotFrost Drop in with HotFrost shelves integrated into the breathguards double food display merchandising per linear foot.
- Dukes recessed 18"x 26" pan design locks pans in place or use optional stone inserts for a retail, upscale presentation without the use of sheet pans.
- The 18"x 26" pan format enables fast line re-load and the ability to handle high throughput in a short period of time. The self-serving of pre-wrapped and pre-portioned foods minimizes labor needs associated with operator served foods.
- Optional colored stone inserts provide an upscale retail look

CONTROLS:

- Intuitive, easy to learn, easy to use full color touch screen control with pre-programmed temperatures assure consistency and high food quality.
- Touchscreen shows alerts and messaging when the unit isn't operating to specification... also easy access to serial #.
- Built in connectivity to allow future firmware updates, and remote alerts, messaging and control.
- Four foot cord supplied between control and touchscreen.
- Complies with part 15 of the FCC rules.

Agency Listings:

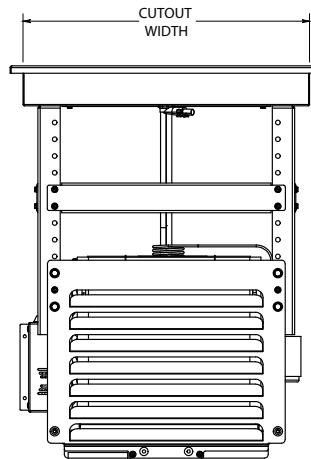
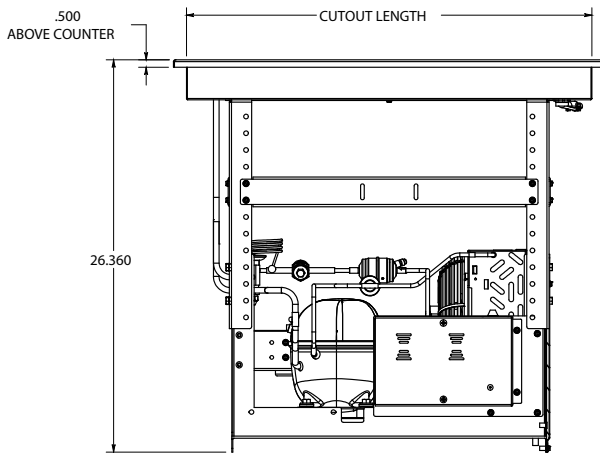
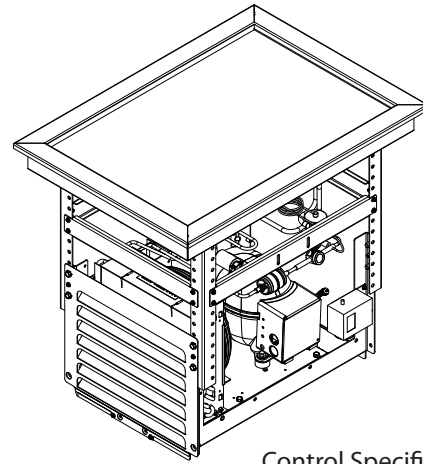
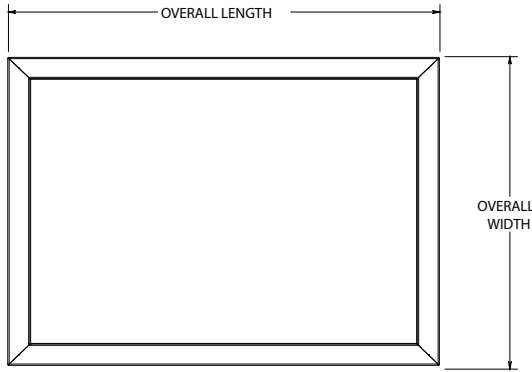
Specification subject to change



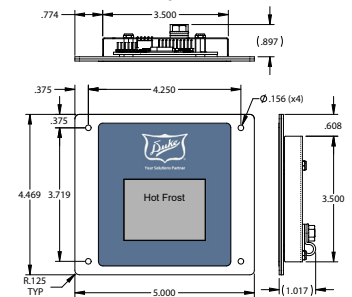
Catalog No. Recessed Hot Frost

A.I.A. File No. 35-C-13

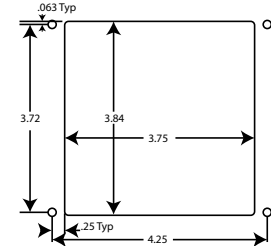
Recessed Hot Frost Drop-In



Control Specification



Control Cutout



Note: Optional Drain available in 2 and 3 Section units only

ELECTRICAL SPECIFICATIONS:

Model		120 Volt - HZ 60		Model		120 Volt - HZ 60		Model		120 Volt - HZ 60	
		Amps	NEMA			Amps	NEMA			Amps	NEMA
RHF1-SL	Hot Frost - Slim Line	5.8	5-15	RHT1-SL	Hot Top Only - Slim Line	2.8	5-15	RFT1-SL	Frost Top Only - Slim Line	5.8	5-15
RHF2-SL	Hot Frost - Slim Line	5.8	5-15	RHT2-SL	Hot Top Only - Slim Line	5.3	5-15	RFT2-SL	Frost Top Only - Slim Line	5.8	5-15
RHF3-SL	Hot Frost - Slim Line	7.8	5-15	RHT3-SL	Hot Top Only - Slim Line	7.8	5-15	RFT3-SL	Frost Top Only - Slim Line	5.8	5-15
RHF2-SB	Hot Frost - Standard	5.8	5-15	RHT2-SB	Hot Top Only - Standard	5.3	5-15	RFT2-SB	Frost Top Only - Standard	5.8	5-15
RHF3-SB	Hot Frost - Standard	7.8	5-15	RHT3-SB	Hot Top Only - Standard	7.8	5-15	RFT3-SB	Frost Top Only - Standard	5.8	5-15

DIMENSIONS:

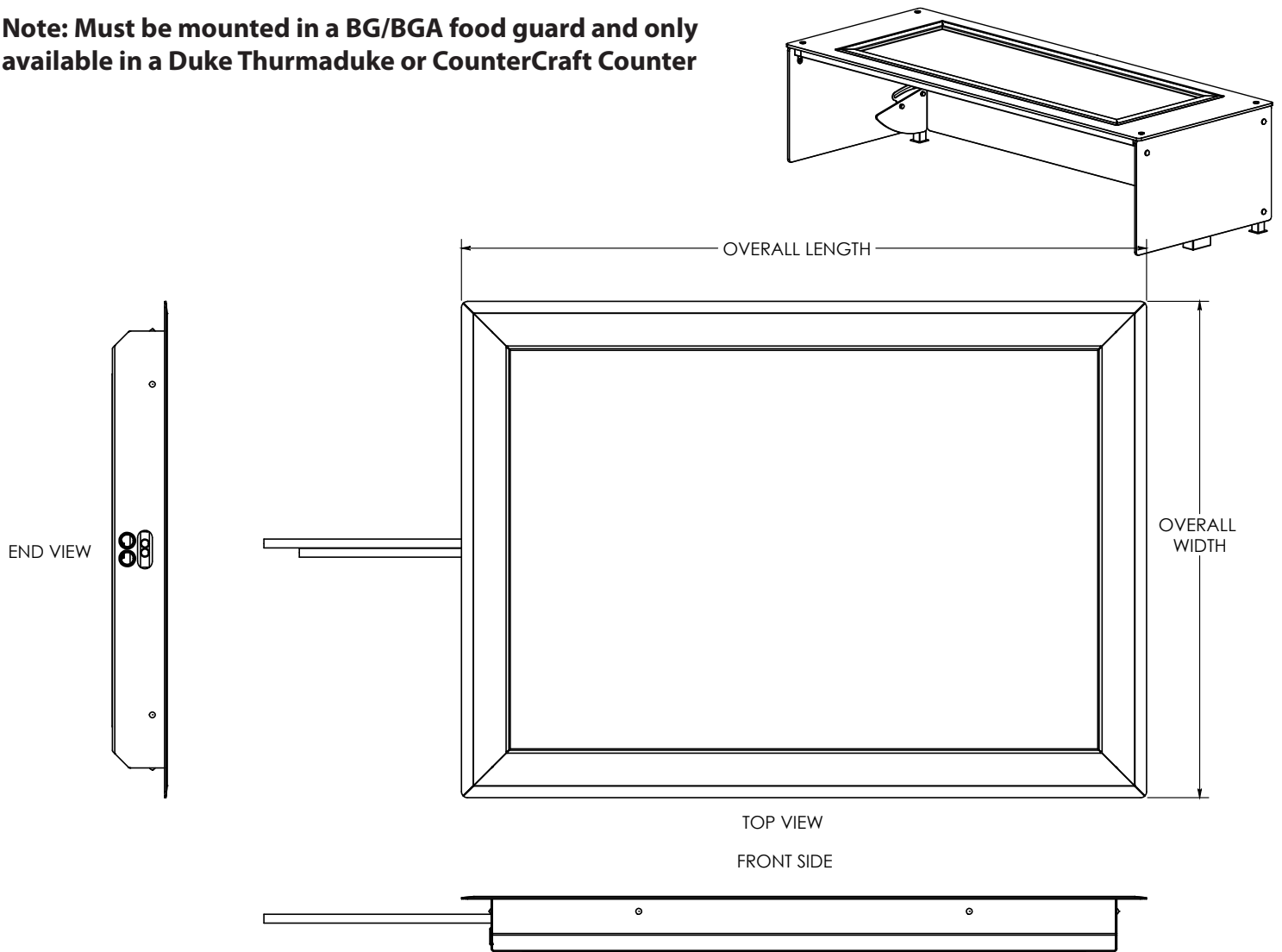
Freight Class: 100

Model	Length		Width		Height		Cutout-W		Cutout-L		Cube ft. crated	Crated Ship Weight	
	in.	cm	in.	cm	in.	cm	in.	cm	in.	cm		lbs.	kg
RHF1-SL	29.0	73.7	21.0	61.0	26.36	67.0	19.75	50.0	27.75	69.9	16.1	214	97.1
RHF2-SL	55.0	139.7	21.0	61.0	26.36	67.0	19.75	50.0	53.75	135.9	17.4	232	105.2
RHF3-SL	81.0	205.7	21.0	61.0	26.36	67.0	19.75	50.0	79.75	201.3	25.9	387	175.5
RHF2-SB	39.0	99.1	29.0	61.0	26.36	67.0	27.75	69.9	37.75	95.3	23.8	317	143.8
XXX3-SB	57.0	144.8	29.0	61.0	26.36	67.0	27.75	69.9	55.75	141.0	25.2	387	175.5

XXX = Model type Hot/Frost, Hot Only, Frost Only

Recessed Hot/Frost Overshelf

Note: Must be mounted in a BG/BGA food guard and only available in a Duke Thurmduke or CounterCraft Counter



ELECTRICAL SPECIFICATIONS:

Model		120 Volt - HZ 60			Model		120 Volt - HZ 60			Model		120 Volt - HZ 60		
		Amps	NEMA	Direct Wired			Amps	NEMA	Direct Wired			Amps	NEMA	Direct Wired
HFO1-SL	Hot Frost - Slim Line	5.8	5-15	Terminal Block	HTO1-SL	Hot Top Only - Slim Line	2.8	5-15	Terminal Block	FTO1-SL	Frost Top Only - Slim Line	5.8	5-15	Terminal Block
HFO2-SL	Hot Frost - Slim Line	5.8	5-15		HTO2-SL	Hot Top Only - Slim Line	5.3	5-15		FTO2-SL	Frost Top Only - Slim Line	5.8	5-15	

DIMENSIONS:

Freight Class: 100

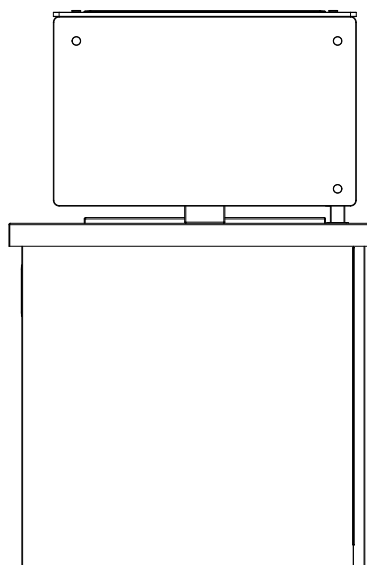
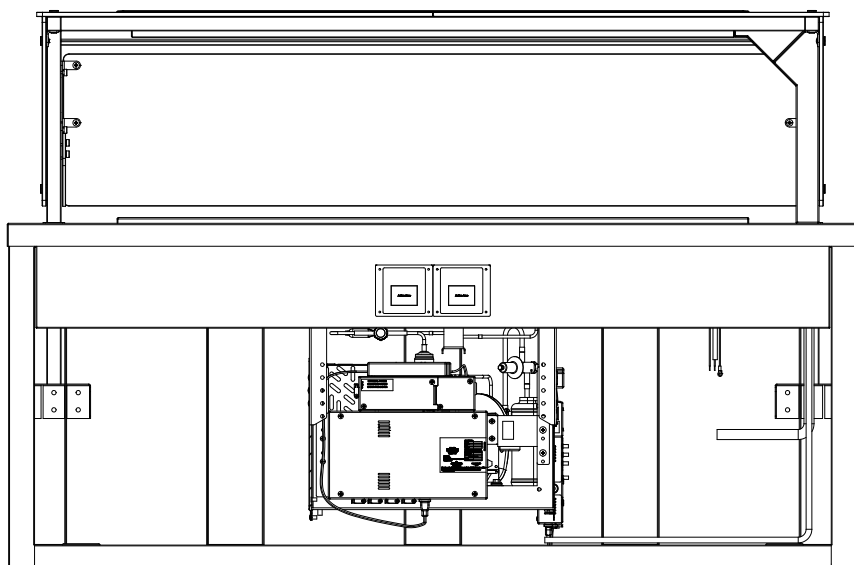
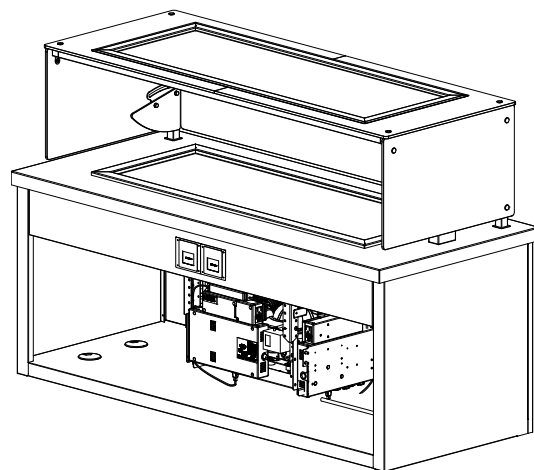
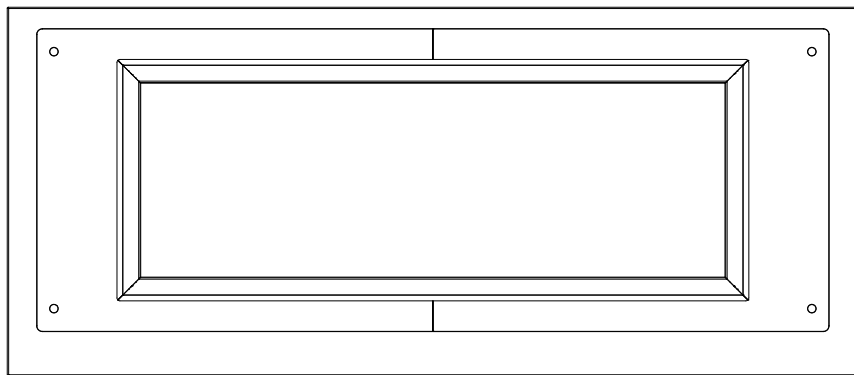
Model	Width		Depth		Height		Cutout-W		Cutout-L		Cube ft. crated	Crated Ship Weight	
	in.	cm	in.	cm	in.	cm	in.	cm	in.	cm		lbs.	kg
XXX1-SL	29.0	73.7	21.0	61.0	2.38	6.0	19.0	48.26	27.0	68.58	1.0	141	64.0
XXX2-SL	55.0	139.7	21.0	61.0	2.38	6.0	19.0	48.26	53.0	134.62	2.0	232	105

XXX = Model type Hot/Frost, Hot Only, Frost Only

Recessed Hot/Frost Duplex

A.I.A. File No. 35-C-13

Catalog No. Recessed Hot Frost



ELECTRICAL SPECIFICATIONS:

Model		120 Volt - HZ 60		
		Amps	NEMA	Direct Wired
DE-RHF1-SL-HFO1-SL	Duplex Evap, Recessed HotFrost, HotFrost Overshelf	8.3	5-15	Terminal Block
DE-RHF2-SL-HFO2-SL	Duplex Evap, Recessed HotFrost, HotFrost Overshelf	10.8	5-15	Terminal Block
DE-RHF2-SB-HFO2-SL	Duplex Evap, Recessed HotFrost, HotFrost Overshelf	10.8	5-15	Terminal Block
DE-RHF2-SB-HFO1-SL	Duplex Evap, Recessed HotFrost, HotFrost Overshelf	10.8	5-15	Terminal Block
DE-RFT1-SB-FTO1-SL	Duplex Evap, Recessed Frost Top, Frost Top Overshelf	5.8	5-15	Terminal Block
DE-RFT2-SL-FTO2-SL	Duplex Evap, Recessed Frost Top, Frost Top Overshelf	5.8	5-15	Terminal Block
DE-RFT2-SB-FTO2-SL	Duplex Evap, Recessed Frost Top, Frost Top Overshelf	5.8	5-15	Terminal Block
DE-RFT2-SB-FTO1-SL	Duplex Evap, Recessed Frost Top, Frost Top Overshelf	5.8	5-15	Terminal Block

Recessed Hot Frost



Your Solutions Partner

Duke Manufacturing Co.
2305 N. Broadway
St. Louis, MO 63102

Phone: 314-231-1130
Toll Free: 1-800-735-3853
Fax: 314-231-5074

www.dukemfg.com

Printed in U.S.A
© 2024, Duke Manufacturing Co.