



# Set-Pro™

## Professional Equipment Placement System



Use your smart phone to scan the above QR code to visit our website:  
www.bk-resources.com

### Certifications:



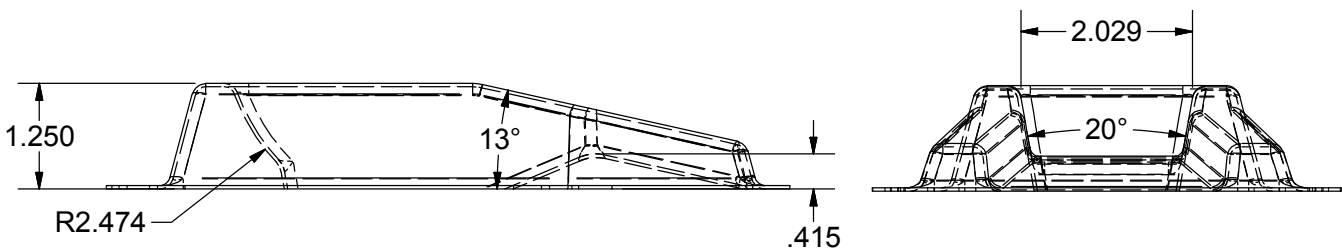
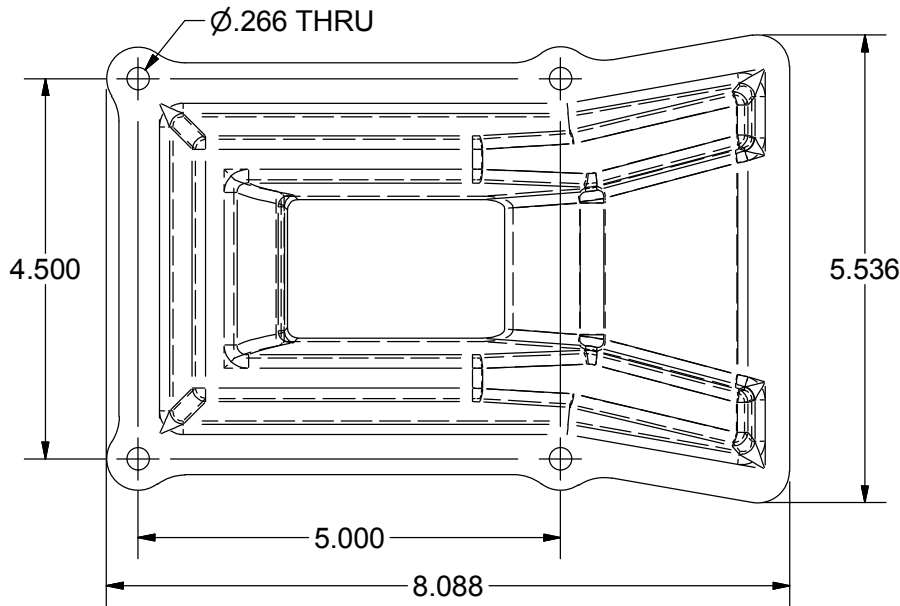
### Features:

- Comes in a Set of Two (2)
- Consistent Equipment Placement of Caster-Mounted Equipment
- Includes Mounting Hardware & Caulk
- Reduces Gas Hose Wear & Tear
- Helps Maintain NFPA Codes 17A (5.6.4) and 96 (12.1.2.3)

### Material:

- T-304 16 ga. Stainless Steel

Set-Pro™ Part Number	Description
BKG-CS	Set of two (2) equipment placement system



PRODUCT DATA SHEET

BK RESOURCES

