



Profit from the Eagle Advantage®

Specification Sheet

Short Form Specifications

Eagle Drop-In Style Round Food Warmer (7-qt. / 11-qt.), model _____ . Constructed of one-piece deep-drawn type 304, 18-8 stainless steel. Heating element is securely clamped to underside. Complete with (infinite control / thermostat) indicator light, control panel (and drain).



7-qt. (6.6 liters)
drop-in style food warmer

Options / Accessories

- Mounting plates
- Inset, 7-quart
- Inset, 11-quart
- Lid, 7-quart
- Lid, 11-quart
- Drain valve extensions

EAGLE GROUP

100 Industrial Boulevard, Clayton, DE 19938-8903 USA
 Phone: 302-653-3000 • 800-441-8440 • Fax: 302-653-2065
www.eaglegrp.com
www.eaglegrpnews.com
www.eaglegrp.com

For custom configuration or fabrication needs, contact our **SpecFAB® Division**.
 Phone: 302-653-3000 • Fax: 302-653-2065 • e-mail: quotes@eaglegrp.com

Item No.: _____
 Project No.: _____
 S.I.S. No.: _____

Drop-In Style Round Food Warmers

MODELS:

- | | | |
|-------------------------------------|--------------------------------------|---------------------------------|
| <input type="checkbox"/> 7QDI-120 | <input type="checkbox"/> 11QDI-240 | <input type="checkbox"/> 304019 |
| <input type="checkbox"/> 7QDI-120D | <input type="checkbox"/> 11QDI-240D | <input type="checkbox"/> 304049 |
| <input type="checkbox"/> 7QDI-240 | <input type="checkbox"/> 11QDI-120T | <input type="checkbox"/> 305197 |
| <input type="checkbox"/> 7QDI-240D | <input type="checkbox"/> 11QDI-120TD | <input type="checkbox"/> 305198 |
| <input type="checkbox"/> 7QDI-120T | <input type="checkbox"/> 7QP | <input type="checkbox"/> DVE-50 |
| <input type="checkbox"/> 7QDI-120TD | <input type="checkbox"/> 11QP | <input type="checkbox"/> DVE-75 |
| <input type="checkbox"/> 11QDI-120 | <input type="checkbox"/> 304021 | |
| <input type="checkbox"/> 11QDI-120D | <input type="checkbox"/> 304060 | |

Design and Construction Features

- Designed to accept either a 7-qt. (6.6 liter) or 11-qt. (10.4 liter) round inset.
- Constructed of one piece deep-drawn 18-8 stainless steel.
- Complete with thermostatic or infinite control, indicator light, and die-stamped recessed control panel. (Thermostatic controls are available with 36" or 72" [914 or 1829mm] leads on capillary.)
- Heating element securely clamped to underside allowing for service through bottom.
- Self rim mounting plates available.

Certifications / Approvals

Note: Not UL-recognized for Canada

Spec sheets available for viewing, printing or downloading from our online literature library at our websites



Profit from the Eagle Advantage®

Item No.: _____
 Project No.: _____
 S.I.S. No.: _____

Drop-In Style Round Food Warmers

Units with 7-qt. (6.6 liters) Capacity

INFINITE model #	THERMOSTATIC* model #	electrical data	diameter in. mm	height in. mm	weight lbs. kg
7QDI-120	7QDI-120T	120V, 4.6A, 550W	10 1/2" 267	8 7/8" 216	8 3.6
7QDI-120D**	7QDI-120TD**	120V, 4.6A, 550W	10 1/2" 267	8 7/8" 216	8 3.6
7QDI-240	n/a	208/240V, 2.4/2.8A, 500/660W	10 1/2" 267	8 7/8" 216	8 3.6
7QDI-240D**	n/a	208/240V, 2.4/2.8A, 500/660W	10 1/2" 267	8 7/8" 216	8 3.6

*Thermostatic models available with 72" (1829mm) capillary. To order, add suffix "-72" to model number.

Example: 7QDI-120TD-72

** Comes with drain.

Units with 11-qt. (10.4 liters) Capacity

INFINITE model #	THERMOSTATIC* model #	electrical data	diameter in. mm	height in. mm	weight lbs. kg
11QDI-120	11QDI-120T	120V, 4.6A, 550W	12 1/2" 318	8 7/8" 216	14 6.4
11QDI-120D**	11QDI-120TD**	120V, 4.6A, 550W	12 1/2" 318	8 7/8" 216	14 6.4
11QDI-240	n/a	208/240V, 2.4/2.8A, 500/660W	12 1/2" 318	8 7/8" 216	14 6.4
11QDI-240D**	n/a	208/240V, 2.4/2.8A, 500/660W	12 1/2" 318	8 7/8" 216	14 6.4

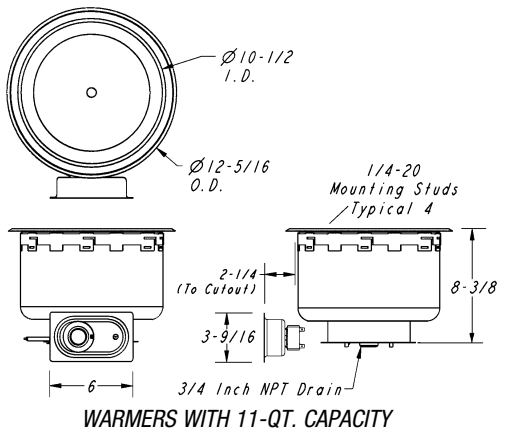
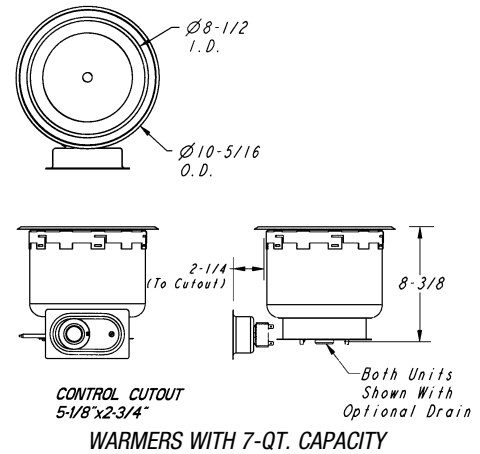
*Thermostatic models available with 72" (1829mm) capillary. To order, add suffix "-72" to model number.

Example: 11QDI-120TD-72

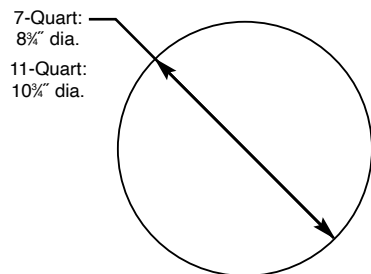
** Comes with drain.

Mounting Plates for Laminated Plastic or Wood Countertops

model #	description
7QP	for 7-qt. (6.6 liters) warmers
11QP	for 11-qt. (10.4 liters) warmers



Cutout Requirements for Drop-In Round Food Warmers:



round inset with lid

Round Insets

model #	description	weight lbs.	weight kg
304021	7-quart inset for 8 7/8" (216mm) opening	3	1.4
304060	11-quart inset for 10 1/2" (267mm) opening	10	4.5

Lids for Round Insets

model #	description	weight lbs.	weight kg
304019	For 7-quart inset	1	0.5
304049	For 11-quart inset	1	0.5



Replacement Recessed Control Panels

Stainless steel construction.

PUNCHED model #	NOT PUNCHED model #	cutout dimensions in.	mm
305198	305197	5 1/8" x 2 1/8"	129 x 68

Drain Valve Extensions

With ball valve. Adjusts from 7" to 28" (178 to 711mm). 2 3/4" (70mm)-diameter cutout required for handle.

model #	description
DVE-50	fits 1/2" valve
DVE-75	fits 3/4" valve



EAGLE GROUP

100 Industrial Boulevard, Clayton, DE 19938-8903 USA

Phone: 302-653-3000 or 800-441-8440 • Fax: 302-653-2065

www.eaglegrp.com • www.eaglegrpnews.com • www.eaglehmc.com

Printed in U.S.A.
 ©2022 by Eagle Group

Rev. 12/22

Spec sheets available for viewing, printing or downloading from our online literature library at our websites

Although every attempt has been made to ensure the accuracy of the information provided, we cannot be held responsible for typographical or printing errors. Information and specifications are subject to change without notice. Please confirm at time of order.