



Project _____
 AIA # _____ SIS # _____
 Item # _____ Quantity _____ C.S.I. Section 114000

CUL CHEMICAL SANITIZING Undercounter



SPECIFIER STATEMENT

Specified unit will be NSF rated, **Centerline™** by **Hobart** chemical sanitizing undercounter dishwasher. Features soft start, two selectable cycles, one standard 2-minute cycle with optional extended cycle (factory set at 240 seconds); .84 gallons per rack, LED temperature and operator display, service diagnostics, detergent, rinse aid and sanitizer pumps. Constructed of stainless steel.

1 year parts and labor warranty.

STANDARD VOLTAGE

+ 120/60/1

MODELS

- CUL** Chemical sanitizing rinse

STANDARD FEATURES

- + 24 racks per hour
- + .84 gallons of water per rack
- + Chemical sanitizing
- + Top-mounted user interface with digital temperature display
- + 2-minute cycle with optional extended cycle
- + 14.46" door opening
- + Snap-in, revolving upper and lower anti-clogging wash & rinse arm; low-profile, single-arm design
- + Removable, 3-part stainless steel scrap screen
- + Soft start
- + Automatic pumped drain
- + Automatic fill
- + Service diagnostics with error notifications
- + Delime notification and cycle
- + Chemical pumps standard
- + Sanitizer sensing indicator standard
- + Electric tank heat
- + Two dishracks – one peg and one combination type

OPTIONS & ACCESSORIES (Available at extra cost)

- Upper/lower stainless steel wash and rinse arm kit
- Chemical sensing indicators (low chemical alert)
- Stainless steel stand with rack storage and telescoping legs (legs in provide 15⁵/₁₆" of additional height; legs out provide 17⁷/₈" of additional height)
- Peg rack
- Combination rack
- Power cord kits

CUL CHEMICAL SANITIZING

Approved by _____ Date _____ Approved by _____ Date _____

LEGEND

Electrical Connections	
E1	Electrical connection: 1-3/8" dia. hole for 1" trade size conduit; 1-5/8" AFF.
Plumbing Connections	
P1	Single fill and rinse connection: 3/4" female garden hose fitting on 6' long hose supplied with machine; 120° F water minimum for CUL 140° F recommended.
P2	Drain connection: 19mm barb fitting with 6' long hose supplied with machine.
P3	Chemical supply: Detergent, sanitizer and rinse aid; approximately 1-5/8" AFF. 5-1/4" long tubing supplied with machine.

WARNING: Electrical and grounding connections must comply with the applicable portion of the National Electrical Code and/or other local electrical codes.

Plumbing connections must comply with applicable sanitary, safety, and plumbing codes.

(E1) STANDARD ELECTRICAL OPTIONS

Voltage	Rated Amps	Minimum Supply Circuit Ampacity	Maximum Protective Device
120/60/1	17.5	20	20

NOTE: For supply connections, use copper wire only rated at 90°C minimum.

Accessory cord kit available for all models.

Dishmachine not provided with internal GFCI protection.

SPECIFICATIONS

Capacities

Cycle Time (seconds)	120
Racks per Hour	24
Tank Capacity – Gallons	5.3

Motor Horsepower

Wash	0.62
Rinse	0.20

Water Consumption

U.S. Gallons per Hour (maximum use)	20.2
U.S. Gallons per Rack (maximum use)	0.84
Peak Drain Flow – U.S. Gallons (gallons per minute)	2.8

Temperatures °F

Incoming Water Temperature (minimum recommended)	120° F
--	--------

Heating

Tank Heat, electric (kW)	2.0
--------------------------	-----

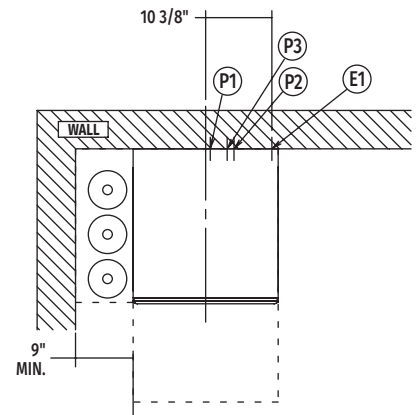
Standard 20" x 20" (508 x 508) Rack Complement

Flat	1
Peg	1

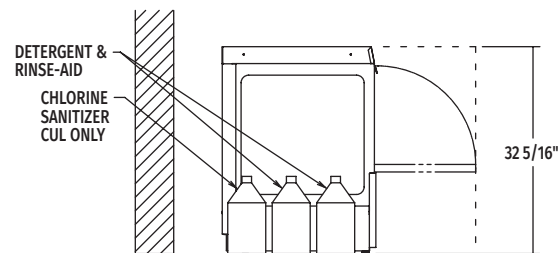
Shipping Weight (approximate) 148 lbs.

Crated Dimensions 27¼"W x 26½"L x 38¾"H

Heat Output, BTU/Hour		
Volts	Latent	Sensible
120	1,200	500

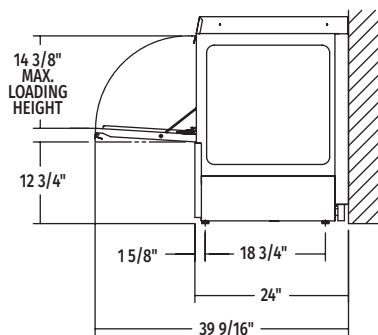


Top View

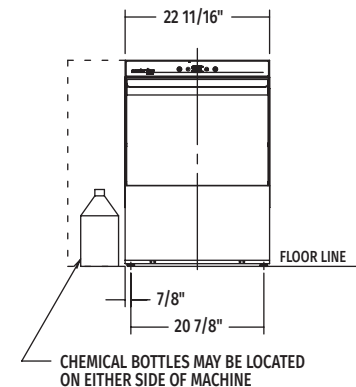


ADDITIONAL CLEARANCE REQUIRED TO SLIDE UNIT FORWARD FOR SERVICE ONLY

Left Side View



Right Side View



Front View

MODEL:
CUL
00-562543
REV E