



# FLAT TOP WOOD TOP BAKERS TABLES with Adjustable Undershelf

Item #: \_\_\_\_\_ Qty #: \_\_\_\_\_  
 Model #: \_\_\_\_\_  
 Project #: \_\_\_\_\_



## FEATURES & CONSTRUCTION:

Hard Wood Top.  
 Gussets welded to support channels.  
 Aluminum die cast "leg-to-shelf" clamp secures shelf to leg eliminating unsightly nuts and bolts. Undershelf is adjustable.

## MATERIAL:

**TOP:** Laminated 1-3/4" Thick HARD MAPLE.  
**LEGS:** **H2S Series:** 1 5/8" diameter tubular stainless steel with 1" adjustable stainless steel bullet feet.  
**H2G Series:** 1 5/8" diameter tubular galvanized steel with 1" adjustable plastic bullet feet.  
**SHELF:** **H2S Series:** 18 gauge stainless steel.  
**H2G Series:** Galvanized steel.



	L	24" WIDE	Wt. (lbs.)	Cu. Ft.	30" WIDE	Wt. (lbs.)	Cu. Ft.	36" WIDE	Wt. (lbs.)	Cu. Ft.
<b>STAINLESS STEEL BASE</b>	3'	H2S-243	75	4	H2S-303	90	5	H2S-363	105	6
	4'	H2S-244	95	6	H2S-304	115	7	H2S-364	135	8
	5'	H2S-245	110	7	H2S-305	140	9	H2S-365	160	11
	6'	H2S-246	130	9	H2S-306	160	11	H2S-366	185	13
	7'	H2S-247	150	10	H2S-307	185	12	H2S-367	215	15
	8'	H2S-248	180	12	H2S-308	215	14	H2S-368	255	17
<b>GALVANIZED BASE</b>	3'	H2G-243	75	4	H2G-303	90	5	H2G-363	105	6
	4'	H2G-244	95	6	H2G-304	115	7	H2G-364	135	8
	5'	H2G-245	110	7	H2G-305	140	9	H2G-365	160	11
	6'	H2G-246	130	9	H2G-306	160	11	H2G-366	185	13
	7'	H2G-247	150	10	H2G-307	185	12	H2G-367	215	15
	8'	H2G-248	180	12	H2G-308	215	14	H2G-368	255	17



All Wood Tops are a non-stock special order item & may not be canceled once ordered.



Customer Service Available To Assist You 1-800-645-3166 8:30 am - 7:00 pm E.S.T.

For Orders & Customer Service:  
 Email: customer@advancetabco.com or Fax: 631-242-6900

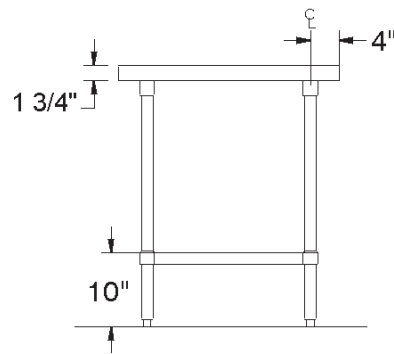
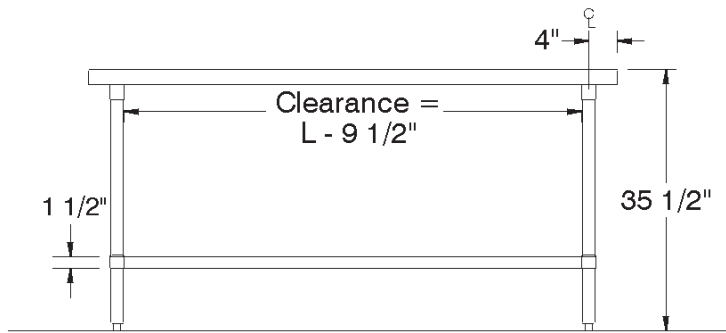
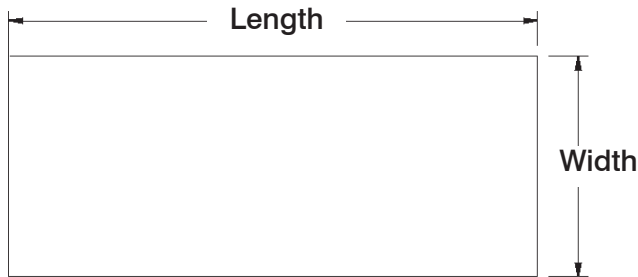
For Smart Fabrication™ Quotes:  
 Email: smartfab@advancetabco.com or Fax: 631-586-2933

# DETAILS and SPECIFICATIONS

TOL  $\pm$  .500"

Units 8 ft. & larger are furnished with six (6) legs.

ALL DIMENSIONS ARE TYPICAL



## H2S & H2G Series Undershelf Style

Finished Size Of Undershelf = Length Minus 5 3/4", Width Minus 5 3/4"

Units 8 Ft. And Larger Are Furnished With Six (6) Legs

