



The Signature of Quality

**FEDERAL INDUSTRIES**

A Standex Company

215 Federal Avenue Belleville  
Wisconsin 53508-9201

**Phone:** 800-356-4206

**Fax:** 608-424-3234

**Email:** Geninfo@Federalind.com

**Website:** Federalind.com

Project Name: \_\_\_\_\_

AIA #

Item #: \_\_\_\_\_

Model #: \_\_\_\_\_ Qty: \_\_\_\_\_

SIS #

Approval: \_\_\_\_\_

**Italian Glass Refrigerated Counter 26" H Display Case (Drop-In)**

**Ideal for both Bakery & Deli Merchandising**

Designed for customers looking for rich, up-scale Italian styling for maximum visual appeal that will drive product sales.



Model ITR4826 Shown  
\*Counter Not Provided

MODEL	DIMENSIONS (Includes End Panels)
<input type="checkbox"/> ITR3626	36 x 30 x 26 (in) 914 x 762 x 660 (mm)
<input type="checkbox"/> ITR4826	48 x 30 x 26 (in) 1219 x 762 x 660 (mm)
<input type="checkbox"/> ITR6026	60 x 30 x 26 (in) 1524 x 762 x 660 (mm)

**STANDARD FEATURES**

**Model Features**

- Stainless steel interior
- All tempered thermo-pane glass construction
- Removable sliding glass rear doors
- Rear air intake and discharge

**Refrigeration**

- Electronic temperature control with on demand defrost
- PTC Condensate evaporator provided for a totally self-contained system
- Easily accessible light switch, power switch, and electronic temperature control
- Average product temperature of 38°F (3.3°C) to 40°F (4.4°C)
- Proper ventilation of counter is required for proper performance
- Rear air intake and discharge
- R290 Refrigerant

**Shelving**

- Adjustable tempered glass shelves. Shelves are adjustable up and down and can be tilted in two positions ( 0°/ 5 angle).
- Two tiers of shelves

**Lighting**

- 3500K LED top light and shelf lights

**Agency Approvals**

- DLC Certified, IP66 rated
- UL, C-UL, and UL Sanitation Listed to NSF-7, Type I conditions
- DOE 2017 Compliant

**OPTIONAL ACCESSORIES**

- |   |  |
|---|--|
| <input type="checkbox"/> Stainless Steel Shelving     | <input type="checkbox"/> Joining Kit for Continuous Line-ups                                 |
| <input type="checkbox"/> Condensate Pump              | <input type="checkbox"/> Remote Condensator (EEV Included)<br>(R449a in Remote Applications) |
| <input type="checkbox"/> Cord & Plug (SC Models Only) |  |
| <input type="checkbox"/> Reflective Rear Doors        |  |
| <input type="checkbox"/> Reflective Ends              |  |

\*Additional options available on the website and price list.



**WARRANTY\***  
One year Parts and Labor  
2nd thru 5th year part only  
service compressor  
(U.S.A. and Canada)

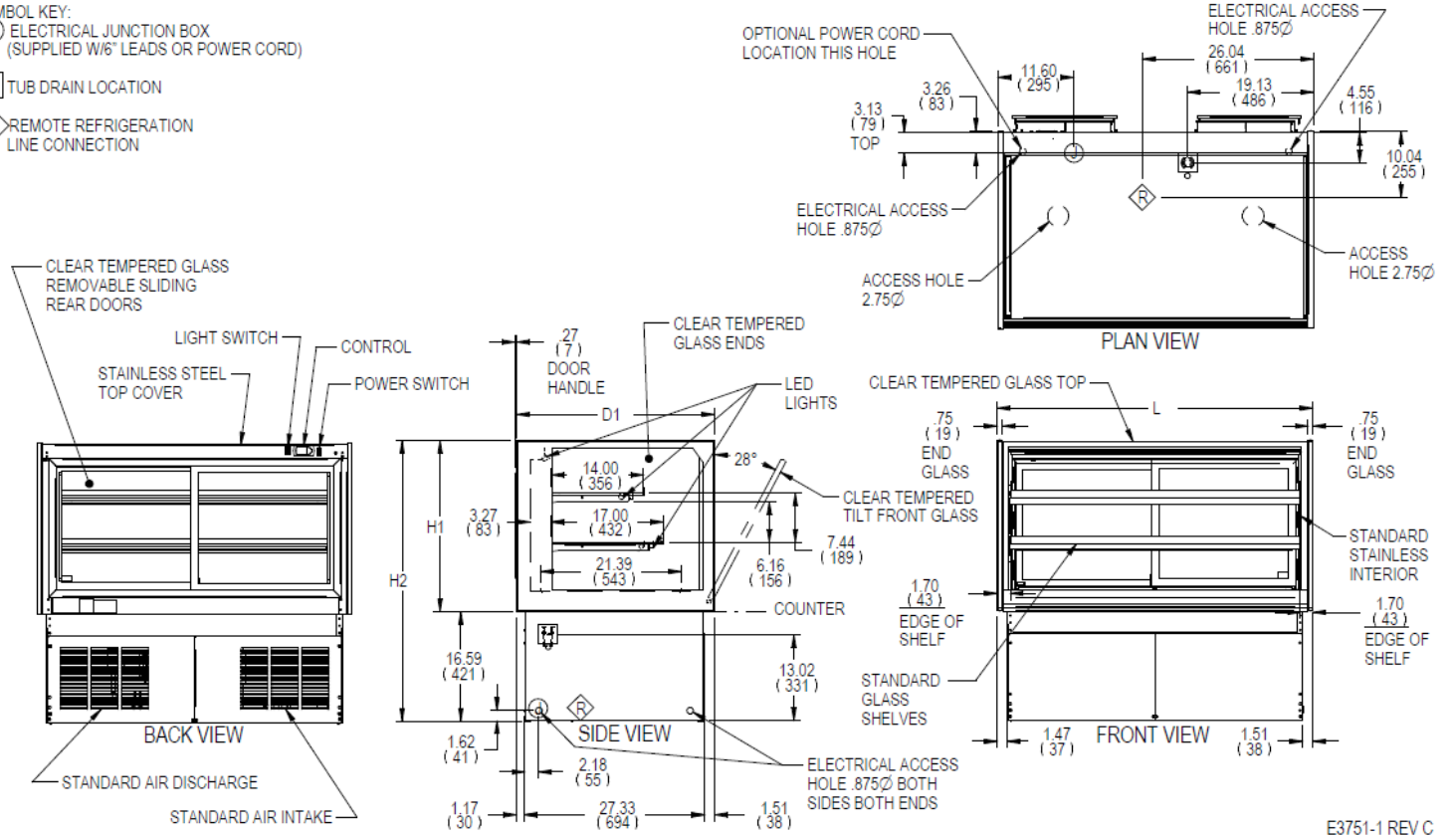
**Note: Information is subject to change at any time. Visit [www.federalind.com](http://www.federalind.com) For the most current specs.**

AIA #	<b>Italian Glass Refrigerated Counter 26" H Display Case (Drop-In)</b>
SIS #	<b>Product Specifications</b>

Intended Environment: Type I - Designed to operate in maximum ambient conditions of 75° F (24° C) and 55% humidity.		
Zone	Intended product to be displayed	Avg prod temp °F / °C
All	Packaged refrigerated products	38° F / (3.3° C)

DIMENSION: xx"/(mm)

- SYMBOL KEY:**
- ELECTRICAL JUNCTION BOX (SUPPLIED W/6' LEADS OR POWER CORD)
  - TUB DRAIN LOCATION
  - REMOTE REFRIGERATION LINE CONNECTION



E3751-1 REV C

MODEL	DIMENSION							COUNTER CUT OUT		SHELVING			DISPLAY AREA SQ IN	INTERIOR VOLUME CU FT	SELF CONTAINED				REMOTE						
	L	D1	D2	H1	H2	L	D	# OF TIERS	DT	DB	L	PERMANENT CONNECT			OPTIONAL NEMA CORD & PLUG	REFRIGERANT	CONDENSATE REMOVAL	SHIP WEIGHT	PERMANENT CONNECT		REFRIGERANT	CONDENSATE REMOVAL	SHIP WEIGHT		
	in	in	in	in	in	in	in		in	in	in	2-WIRE + GROUND			MAX FUSE SIZE	2-WIRE + GROUND			LBS	AMPS	MAX FUSE SIZE			LBS	KILO
	mm	mm	mm	mm	mm	mm	mm		mm	mm	mm	AMPS				120/60/1			KILO						KILO
ITR3626	36.00	30.00	27.30	26.00	42.70	33.40	27.70	2	14	17	30.88	1630	11.4	12.4	20	NEMA 5-20P	R290	CONDENSATE PAN	537	3.0	15	R449a	CONDENSATE PUMP	500	227
	914	762	693	660	1085	848	704		356	432	784	IN	FT					244	KILO					KILO	
ITR4826	48.00	30.00	27.30	26.00	42.70	45.40	27.70	2	14	17	42.88	2240	15.4	12.4	20	NEMA 5-20P	R290	CONDENSATE PAN	720	3.0	15	R449a	CONDENSATE PUMP	670	304
	1219	762	693	660	1085	1153	704		356	432	1089	IN	FT					327	KILO					KILO	
ITR6026	60.00	30.00	27.30	26.00	42.70	57.40	27.70	2	14	17	54.88	2850	19.0	12.4	20	NEMA 5-20P	R290	CONDENSATE PAN	800	3.3	15	R449a	CONDENSATE PUMP	750	340
	1524	762	693	660	1085	1458	704		356	432	1394	IN	FT					363	KILO					KILO	

- Refrigerated cases are designed to operate in a maximum of 80°F (27°C) ambient and 55% relative humidity.
- Due to continuing engineering improvements, specifications are subject to change without notice.
- Counter must have adequate ventilation for proper case performance.



**FEDERAL INDUSTRIES**  
 A Standex Company  
 215 Federal Avenue, Belleville, Wisconsin 53508-9201

**Phone:** 800-356-4206  
**Fax:** 608-424-3234  
**Email:** Geninfo@Federalind.com  
**Website:** Federalind.com