

Project \_\_\_\_\_  
 Item \_\_\_\_\_  
 Quantity \_\_\_\_\_  
 CSI Section 11400  
 Approved \_\_\_\_\_  
 Date \_\_\_\_\_

## G-Series Infra-Red Salamander Broiler With Flame-Failure

### Models

- GFIR36M
- GFIR48M
- GFIR60M
- GFIR36CM



Model GFIR36M



Model GFIR36CM

### Standard Features

#### Range-Mount Models (GFIR36M, GFIR48M, GFIR60M):

- Total flame-failure protection
- Stainless steel top, front, sides, backsplash, and bottom w/heat shield
- 1/2" NPT top gas inlet
- Two 20,000 BTU (5.86 kW) atmospheric infrared burners
- Two individual Hi-Lo valve controls
- Large phenolic knobs
- Three-position spring-balanced, adjustable rack assembly
- Large capacity, removable grease pan
- Gas regulator
- One-year limited parts & labor warranty (USA & Canada only)

#### Counter-Mount Model (GFIR36CM):

- Total flame failure protection
- Stainless steel top, front, and sides – w/4" (102mm) legs
- Rear gas inlet
- Two 20,000 BTU (5.86 kW) atmospheric infrared burners
- Two individual Hi-Lo valve controls
- Large phenolic knobs
- Three-position spring-balanced, adjustable rack assembly
- Large capacity, removable grease pan
- Gas regulator
- One-year limited parts & labor warranty (USA & Canada only)

### Options & Accessories

- Wall-mounting kit and stainless steel main bottom w/heat shield for model GFIR36C
- Rear gas inlet for range-mount models GFIR36M, 48M, & 60M
- Interconnecting gas piping for range-mount models GFIR36M, 48M, & 60M
- Available to fit all Garland G-Series ranges from 36"- 60" (900mm-1500mm) wide; standard on left, right optional on 60" (1500mm) ranges – specify
- Stainless steel back

### Specifications

Range-mount gas infra-red salamander broiler.

Total flame-failure protection.

Two 20,000 BTU (5.86 kw) atmospheric burners, each with a Hi-Lo valve. 40,000 BTU (11.72 kw) total. Natural or propane gas.

Fixed-position, roll-in, roll out broiling rack with flat or tilt positions.

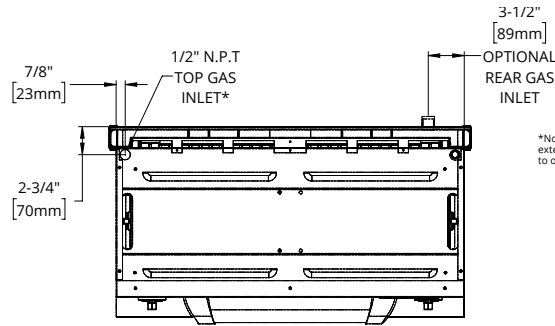
34" (864mm) wide x 19 3/8" (492mm) deep x 73 11/16" (1872mm) high when mounted on a range.

Refer to drawing for detail specifications.

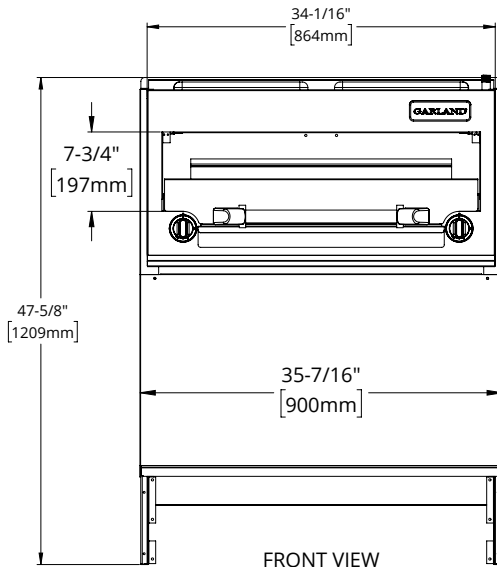
Available as counter top or wall mounted model (GFIR36CM).



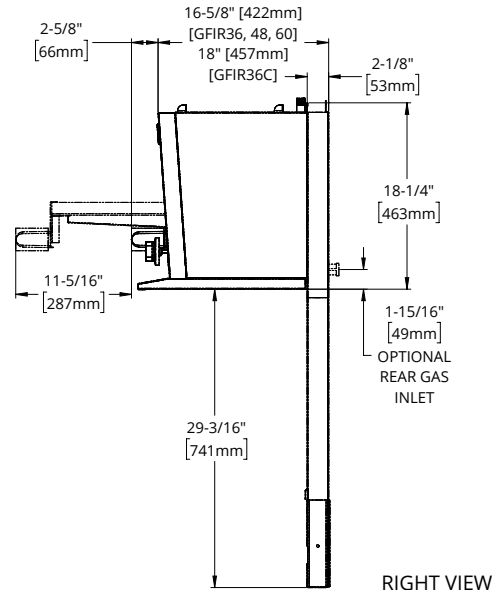
G-Series Infra-Red Salamander Broiler With Flame-Failure



TOP VIEW



FRONT VIEW



RIGHT VIEW

3-1/2" [89mm]  
OPTIONAL REAR GAS INLET

\*Note: TOP GAS INLET pipe extension adds 4" (256mm) to overall height.

Gas input ratings shown for installations up to 2000 ft., (610m) above sea level. Please specify altitudes over 2000 ft.

This product is not approved for residential use.

Note: Installation clearance reductions are applicable only where local codes permit.

Please specify gas type when ordering.

Model #	Description	Width	Use With GF Series Model	Shipping Information		Entry Clearances	
				Cu FT	Lbs/Kg	Crated	Uncated
GFIR36CM	Counter-Mount/Wall-Mount	34" (864mm)	N/A	21	170/77	31" (787mm)	21" (533mm)
GFIR36M	Range-Mount	35-1/2" (900mm)	GF/GFE36	38.2	200/91	31" (787mm)	21" (533mm)
GFIR48M	Center-Mounted Broiler With Extended Flue On Both Sides	47-1/4" (1200mm)	GF/GFE48	60.6	230/105	31" (787mm)	21" (533mm)
*GFIR60M	Broiler With 24"(610 mm) Flue Riser And Shelf	59-1/16" (1500mm)	GF/GFE60	60.6	260/118	31" (787mm)	21" (533mm)

\*Note: for range models, salamanders are standard on right but available on the left as an option.  
For raised griddle/broiler models, salamanders are only available on left side of the range.

Non-Combustible Clearance				Manifold Operating Pressure	
For use in non-combustible locations only				Natural	Propane
Sides	0 (in/mm)	Back	0 (in/mm)	4"WC(10mbar)	10"WC (25mbar)

Garland reserves the right to make changes to the design or specifications without prior notice.

Garland Commercial Ranges Ltd.  
1177 Kamato Road,  
Mississauga, Ontario  
L4W 1X4 CANADA

General Inquires 1-905-624-0260  
USA Sales, Parts and Service 1-800-424-2411  
Canadian Sales 1-888-442-7526  
Canada or USA Parts/Service 1-800-427-6668

[www.garland-group.com](http://www.garland-group.com)  
8090B  
02/26

