



Project _____
 AIA # _____ SIS # _____
 Item # _____ Quantity _____ C.S.I. Section 114000

R Series

52" Wide Reach-In Refrigerator
 32" Deep, Self-Contained



STANDARD PRODUCT FEATURES

- Stainless Steel Exterior & Interior
- Variable Speed Compressor Adapts to the Work Environment
- Traulsen's Smart Control™ with LED Display
- StayClear™ Condenser Coil
- Balanced, Self-Contained Refrigeration System Using R290 Refrigerant
- Rear Biased Return Air Duct
- Full or Half-Height Stainless Steel Doors with Locks
- Anti-Condensate Door Perimeter Heater
- Self-Closing Doors with Stay Open Feature
- Standard Door Hinging: 232N = Left/Right (other hings available)
- Automatically Activated LED Lights
- Stainless Steel Breaker Caps
- Three Adjustable, Coated Wire Shelves Per Section, Supported on Shelf Pins (factory installed)
- Automatic Non-Electric Condensate Evaporator
- Magnetic Snap-In EZ-Clean™ Door Gaskets
- Gasket-Protecting Raised Door Liners
- Thermostatic Expansion Valve Metering Device
- Stainless Steel One-Piece Louver Assembly
- 9' Cord & Plug Attached
- Set of (4) 6" High Adjustable Stainless Steel Legs

ACCESSORIES & OPTIONS

- SmartConnect™ Monitoring App with Wi-Fi Connectivity
- Stainless Steel Finished Back with Rear Louvers
- Option to Relocate Electrical Box
- Accommodates EZ-Clean™ Tray Racks
- #1 Type Trayslides to Accommodate (1) 18" x 26" or (2) 14" x 18" Sheet Pans
- #4 Type Trayslides to Accommodate 18 to 19 Levels for 18" x 26" Pans
- Universal Type Trayslides to Accommodate (1) 18" x 26" or (2) 14" x 18", or (2) 12" x 20" Pans; (4) Pairs per Half Section
- Additional Coated Wire or Optional Stainless Steel Shelves
- Stainless Steel Banking Strip
- Locking Hasps (padlocks supplied by others)
- Optional 208-230/115/60/1 or 208-230/60/1 Voltage
- Kool Klad™ Exterior Laminate Decor (consult factory)
- Set of (4) 4 1/8" or 6" High Casters in Lieu of Legs
- 6" Stainless Steel Flanged Legs
- Other Support Options: 4 1/2" High Base or 6" High Kickplate (for use with standard legs)
- Heat Shield



Models listed to the applicable UL, CSA and NSF standards by an approved NRTL. Consult the factory or unit data plate for additional information.

AVAILABLE CONFIGURATIONS

| | |
|------------------------|-------------------|
| R Series Models | Door(s) |
| RHT232NUT-FHS | Full Height Solid |
| RHT232NUT-HHS | Half Height Solid |

*Remote application without R-290 refrigerant available, see form TR35837 for details.

- GUARANTEED FOR LIFE CAM-LIFT HINGES
- GUARANTEED FOR LIFE HORIZONTAL WORKFLOW DOOR HANDLES



ENERGY STAR® Listed Commercial Refrigerator
 For full listing visit energystar.gov

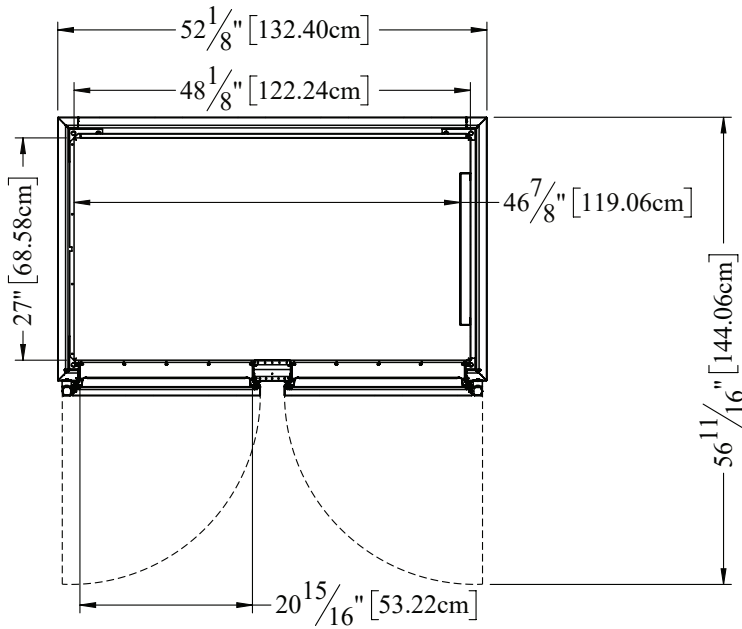
Approved by _____ Date _____ Approved by _____ Date _____

MODEL:

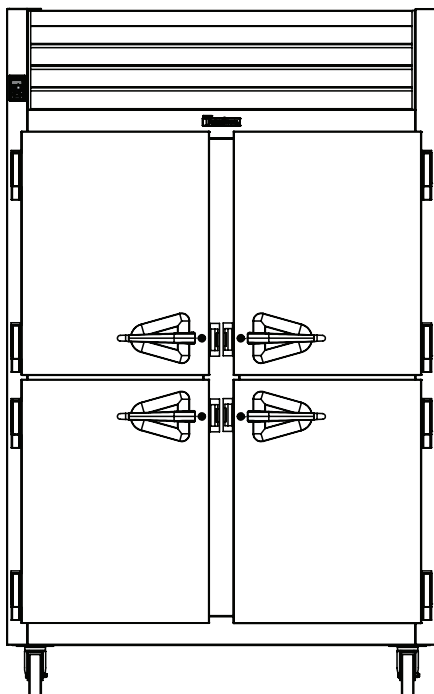
RHT232NUT-HHS

[CAD and/or Revit Files Available](#)

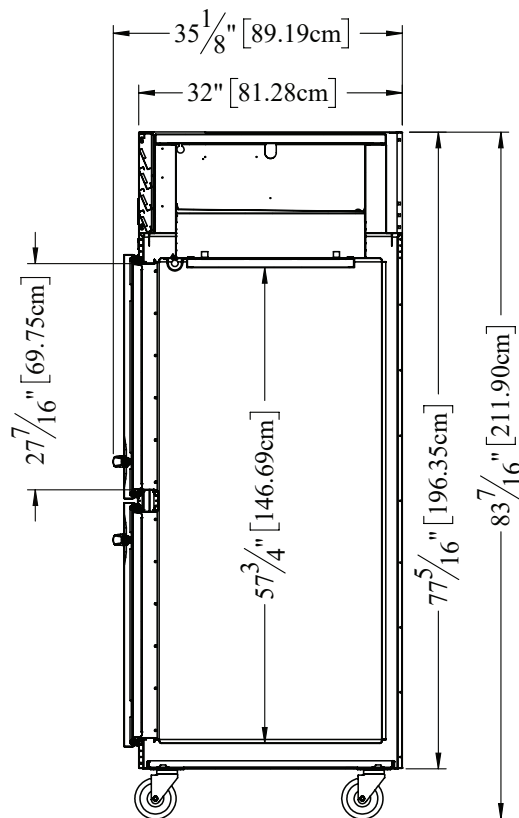
<https://traulsen.klccad.com/>



TOP VIEW



ELEVATION



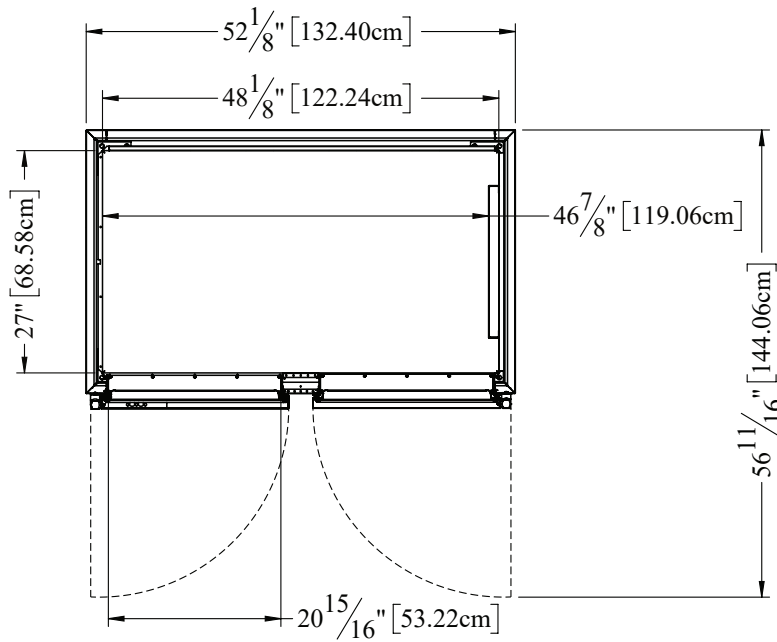
SIDE VIEW

CAD and/or Revit Files Available

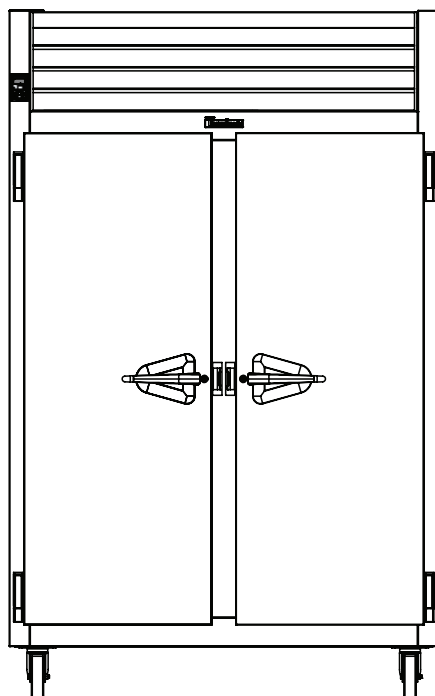
<https://traulsen.klccad.com/>

MODEL:

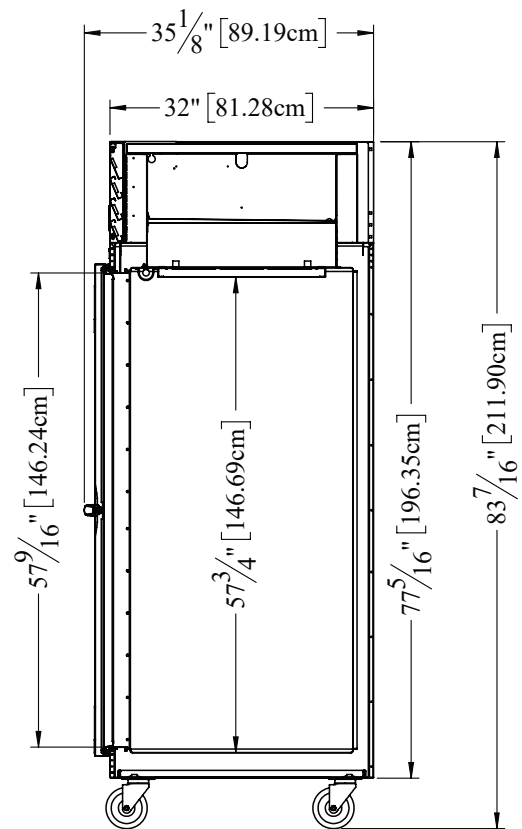
RHT232NUT-FHS



TOP VIEW



ELEVATION



SIDE VIEW

MODELS:

RHT232NUT-HHS, RHT232NUT-FHS

| MODELS | RHT232NUT |
|---|-----------------------------|
| DIMENSIONAL DATA | |
| Net capacity cu. ft. | 46.02 (1303.1 cu l) |
| Length - overall in. | 52 1/8" (132.4 cm) |
| Depth - overall in. | 35 1/8" (89.2 cm) |
| Depth - over body in. | 32" (81.3 cm) |
| Depth - door open 90° in. | 56 11/16" (144.1 cm) |
| Clear door width in. | 20 15/16" (53.2 cm) |
| Clear half-door height in. | 27 7/16" (69.7 cm) |
| Clear full-door height in. | 57 9/16" (146.3 cm) |
| Height - overall on 6" legs ² | 83 7/16" (211.9 cm) |
| No. Standard Shelves | 6 |
| Shelf area sq. ft. ³ | 25.83 (2.4 sq. m) |
| ELECTRICAL DATA | |
| Voltage Plug | 115/60/1 NEMA 5-15P |
| Full Load Amperes KWH/24HR ⁴ | 7.6 2.61 (FHS), 2.6 (HHS) |
| REFRIGERATION DATA | |
| Refrigerant | R290 |
| Refrigerant Charge Amount oz. | 4.8 (136 g) |
| BTU/HR H.P. ¹ | 2875 1/2 HP |
| SHIPPING DATA | |
| Length - Crated in. | 62" (157.5 cm) |
| Width - Crated in. | 42" (106.7 cm) |
| Height - Crated in. | 85" (215.9 cm) |
| Volume - Crated cu. ft. | 128.09 (3627.1 cu l) |
| Weight - Crated lbs. | 654 (296.7 kg) |

NOTES: Figures in parentheses reflect metric equivalents.

1. Based on a 90°F ambient and 20°F evaporator.
2. 12" Top clearance preferred for optimum performance & service access.
3. Area of standard shelf compliment only, does not include storage area of additional shelves or available on cabinet bottom.
4. KWH/24HR = Kilowatt usage per 24 hours

EQUIPMENT SPECIFICATIONS

CONSTRUCTION, HARDWARE, INSULATION

The interior is made from stainless steel and the cabinet exterior front, one piece sides, louver assembly, door and door liners are constructed of heavy gauge stainless steel. The exterior cabinet top, back & bottom are constructed of heavy gauge galvanized steel. A set of four Ⓢ adjustable 6" high stainless steel legs are included.

Doors are equipped with a gasket-protecting metal door pan, removable plug cylinder locks & guaranteed for life gravity action, self-closing metal, cam-lift hinges with a stay open feature. Hinges include a concealed switch to automatically activate the interior LED lighting. Guaranteed for life, workflow door handle is mounted horizontally over recess in door which limits protrusion from door face into aisleways. Doors have seamless, polished metal corners.

Gasket profile & EZ-Clean™ material simplify cleaning & increase overall gasket life. Anti-condensate heaters are located behind the door opening. Both the cabinet & doors are insulated with an average of 2" thick high density, non-CFC, foamed in place polyurethane.

SELF-CONTAINED REFRIGERATION SYSTEM

A top mounted, self-contained, balanced refrigeration system using environmentally friendly, low GWP R290 refrigerant is conveniently located behind the one piece louver assembly. It features a finless StayClear™ condenser, thermostatic expansion valve, air-cooled, hermetic variable speed compressor, large, high humidity evaporator coil located outside the food zone and a top mounted non-electric condensate evaporator. Biased return air duct protects against introduction of warm kitchen air, promoting even temperature maintenance and efficient operation. A 9' cord and plug is provided. Standard operating temperature is 34 to 38°F.

CONTROL

Traulsen's Smart Control™ features advanced control algorithms & sophisticated diagnostic capabilities to optimize performance. Utilizing smart sensors, it adapts the operation of the refrigeration system to a variety of environments & usage patterns. The Smart Control™ also offers a complete set of visual alarms designed to alert the user to critical events such as power outages or a prolonged door opening. In the event of an alarm, a dedicated Alarm LED will illuminate, informing the user of the critical event and duration.

INTERIOR

Standard interior arrangements include three Ⓢ coated wire shelves per section, mounted on shelf pins. Recommended load limit per shelf should not exceed 225 lbs. Optional trayslides may be purchased in combination with, or in lieu of these. Interior arrangements are installed at the factory.

WARRANTY

Both a six year parts and labor warranty and a seven year compressor warranty (self-contained models only) are provided standard.

When ordering please specify: Voltage, Hinging, and Options.

Equipped with one NEMA 5-15P Plug 