

"PB-DIIB" DROP-IN ICE BIN

w/o Cold Plate

FEATURES:

- 10" Deep Ice Bin
- Insulated Basin
- 1/2" Raised Lip Around Top Of Ice Bin
- Includes Stainless Steel Sliding Lid
- Includes 1-7/8" Drain With 1" NPS Threads

SPECIFICATIONS:

- Ice Bins Are TIG Welded, Exposed Welds Are Polished To Match Adjacent Surface
- Deck: 14GA Type 300 Stainless Steel
- Base: 18GA Type 300 Stainless Steel

CERTIFICATIONS:



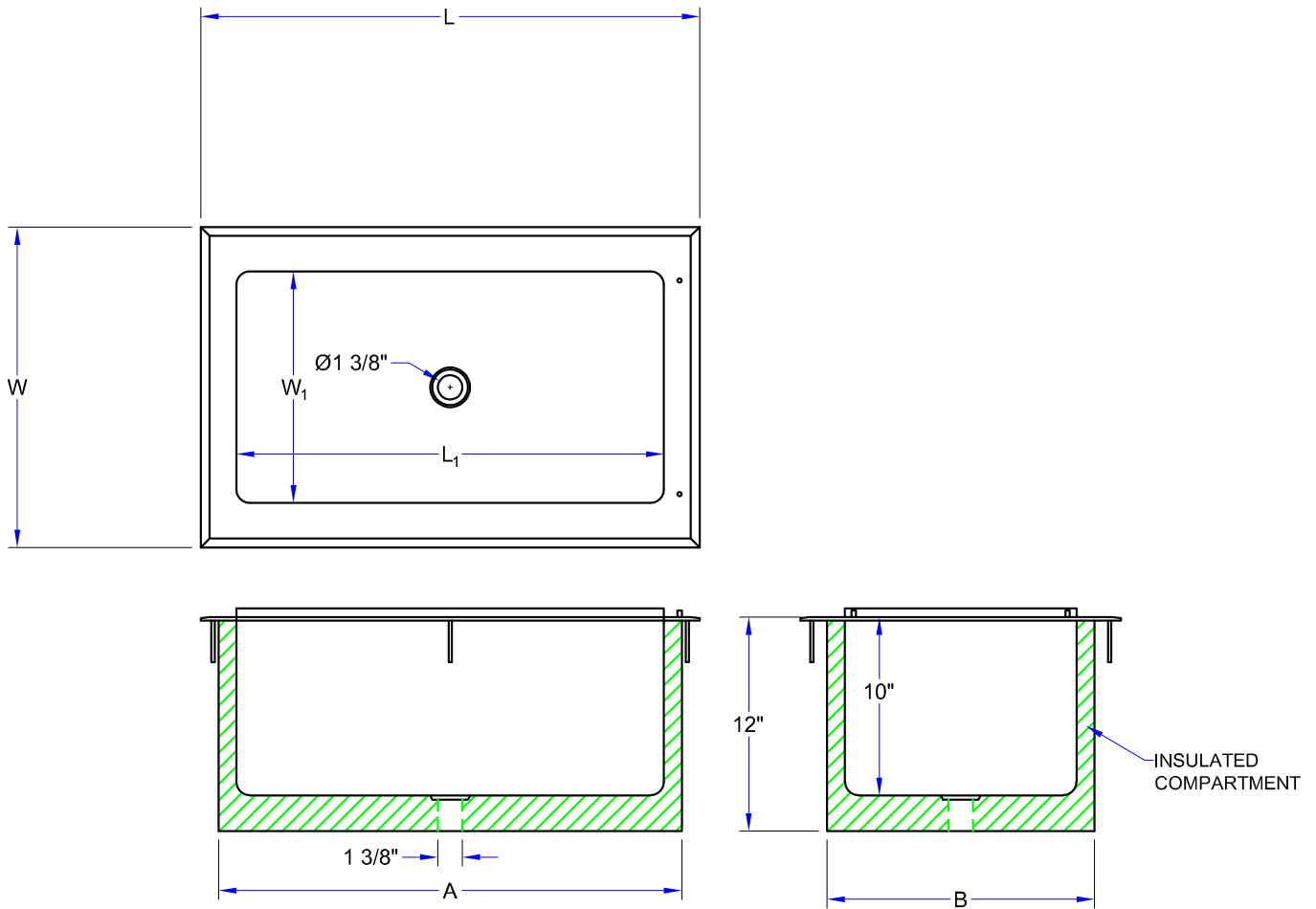
PB-DIIB2818

"PB-DIIB" DROP-IN ICE BIN WITHOUT COLD PLATE

MODEL	OVERALL SIZE (L X W)	INTERNAL LENGTH (L')	INTERNAL WIDTH (W')	CUTOUT LENGTH (A)	CUTOUT WIDTH (B)	ICE CAP. (LBS)	WEIGHT (LBS)
PB-DIIB1218	12"x18"	9"	13"	11"	15"	25	24
PB-DIIB2218	22"x18"	18"	13"	20"	15"	50	41
PB-DIIB2818	28"x18"	24"	13"	26"	15"	67	49
PB-DIIB3418	34"x18"	30"	13"	32"	15"	84	57

ALL DIMENSIONS ARE TYPICAL. TOLERANCE +/- .500". JOHN BOOS & CO. RESERVES THE RIGHT TO CHANGE SPECIFICATIONS WITHOUT NOTICE.

DETAILED SPECIFICATIONS



"PB-DIIB" DROP-IN ICE BIN WITHOUT COLD PLATE

MODEL	OVERALL SIZE (L X W)	INTERNAL LENGTH (L')	INTERNAL WIDTH (W')	CUTOUT LENGTH (A)	CUTOUT WIDTH (B)	ICE CAP. (LBS)	WEIGHT (LBS)
PB-DIIB1218	12"x18"	9"	13"	11"	15"	25	24
PB-DIIB2218	22"x18"	18"	13"	20"	15"	50	41
PB-DIIB2818	28"x18"	24"	13"	26"	15"	67	49
PB-DIIB3418	34"x18"	30"	13"	32"	15"	84	57

ALL DIMENSIONS ARE TYPICAL. TOLERANCE +/- .500". JOHN BOOS & CO. RESERVES THE RIGHT TO CHANGE SPECIFICATIONS WITHOUT NOTICE.