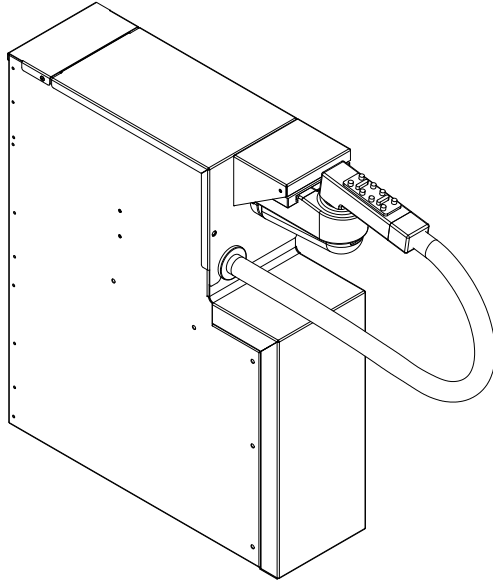




SODA GUN FILLER SECTIONS
TS and TSF Series

NSF
C US
 ASME A112.19.3/
 CSA B45.4
 NSF/ANSI 2

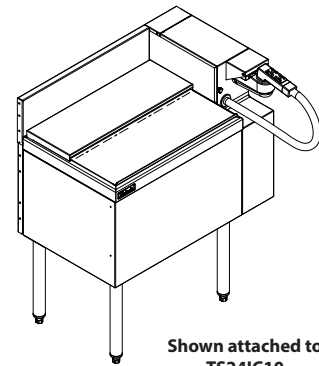


Note: Soda manifold, hose gun and drip cup NOT included. Shown for clarity of use only.

JOB	
AREA	
ITEM NO.	
MODEL NO.	

MODELS	
TS4SGB	TS Series Model
TS6SGB	TS Series Model
TSF4SGB	TSF Series Model
TSF6SGB	TSF Series Model

Standard 6"
 Backsplash
 Height



**Shown attached to
 TS24IC10**

KEY PRODUCT FEATURES AND BENEFITS

- Interior mounted manifold conceals unsightly soda lines
- Integrated drip cup mounting allows canceled routing of drip tube to waste drain
- Tool-less removal of top cover provides easy service access

Quick Features:

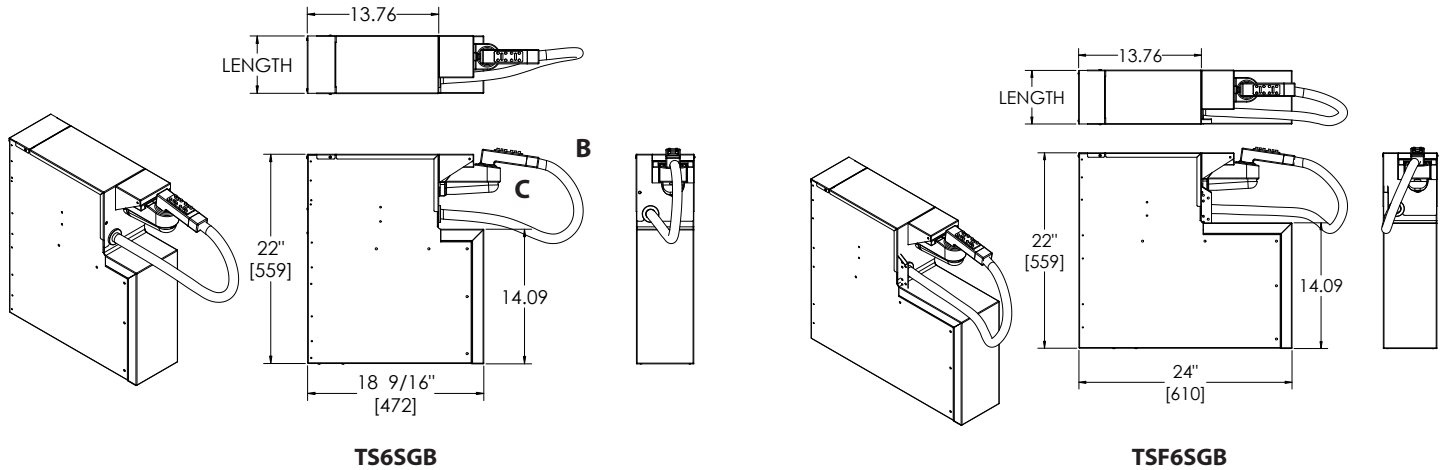
- All stainless steel construction
- Universal design accepts either Wunder-Bar® and Schroeder America™ 8-14 product soda manifolds and drip cups
- Tool-less access to soda manifold
- Accessory speed rails can by-pass or terminate on soda gun filler
- Speed rails can cross or terminate on soda gun filler



SODA GUN FILLER SECTIONS

TS and TSF Series

MODEL NOS.	TS4SGB*	TSF4SGB*	TS6SGB	TSF6SGB	
DIMENSIONS EXTERIOR (mm)	LENGTH IN. (mm)	4" (102)	4" (102)	6" (152)	
	DEPTH IN. (mm)	18-9/16" (472)	24" (610)	18-9/16" (472)	
	OVERALL HEIGHT IN. (mm)	36" (914)	36" (914)	36" (914)	
	SHIP WT. LB. (kg)	18 (8.16)	18 (8.16)	18 (8.16)	
PERLICK BAR EQUIPMENT	CONSTRUCTION	Stainless Steel			
	LEGS	Not applicable, must be mounted to adjacent equipment.			
	CAPACITY/APPLICATION	Universal Mounting Brackets accepts "non-flow-control" 8-14 product manifolds from Wunder-Bar® or Schroeder America™ that don't exceed 3" in overall thickness.		Universal Mounting Brackets accepts 8-14 product manifolds from Wunder-Bar® or Schroeder America™	



**Soda A) manifold; B) hose gun; and C) drip cup
NOT included. Shown for clarity only.**

