

Mega Top Prep Table

Model No.

SP48-18M-HC-T



SP48-18M-HC-T

Features:

- CFC free refrigerant & foam
- AISI 304 stainless steel framework construction
- Electronic thermostat & digital LED temperature display for accurate control and easy reading
- Auto defrosting & auto evaporation of condensation water
- Magnetic gaskets can be replaced without any tool
- PC plastic pans & plastic cutting board are included
- Unit ships with casters **NOT** installed

Warranty Info:

Three Year

- Parts & Labor on entire unit.
- Valid in United States.
- Valid for commercial use only.

Five Year

- Compressor, Part Only.



* See last two pages for more information on warranties and additional extended warranty coverages.



Revised 10/30/2025

SP48-18M-HC-T



www.servware.com

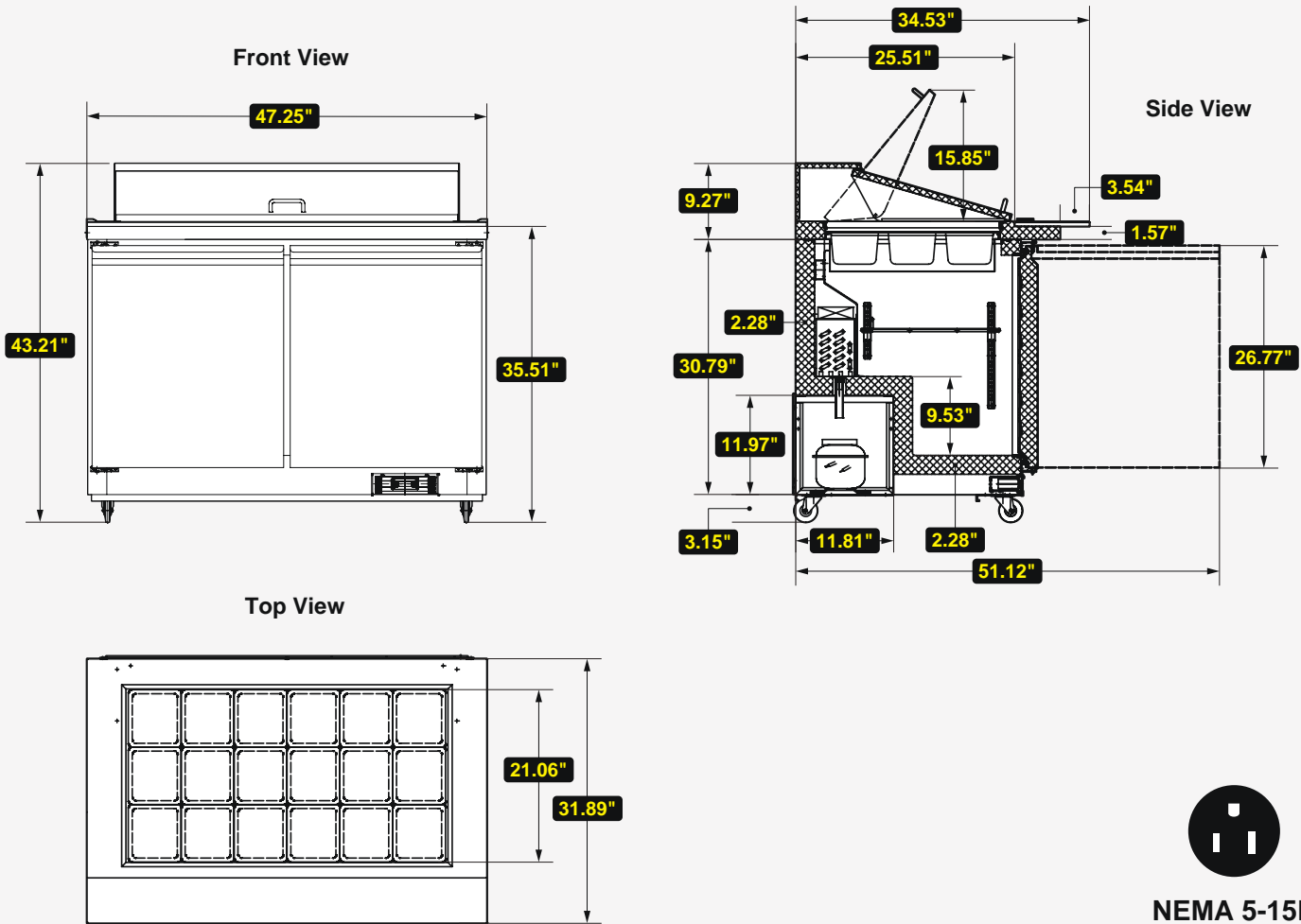
Phone:(800).768.5953

Fax:(800).976.1299

SP48-18M-HC-T Mega Top Prep Table



Item # _____
 Project : _____
 Qty : _____



NEMA 5-15P

Technical Information:

MODEL #	DESCRIPTION	DIMENSIONS	WEIGHT/LBS.
		(W x D x H)	(Shipping)
SP48-18M-HC-T	18 Pan Prep Unit	47.25" W x 29.9" D x 43.2" H	335 lbs.

CONSTRUCTION	
Exterior Material	Stainless Steel
Interior Material	ABS plastic w/ 304 S/S Floor
Insulation Material	CFC Free Foam
Shelf Material	Epoxy Coated Wire
Number of Shelves	1 per Door

COOLING	
Temperature Range	33°F – 41°F
Refrigerant+Charge oz.	R290 / 3.17 oz.
BTU/H	1365
Defrosting	Every 6 Hours
Horse Power	½
Storage Capacity	12 cu. ft.

ELECTRICAL	
Voltage	115
Amps	4.3
Hz	60
Phase	1

ADDITIONAL INFORMATION
<i>Installation by certified commercial restaurant equipment installer recommended. Inspection before and after installation by licensed electrician for safe operation. Product designed for interior usage in a climate controlled location with adequate air circulation and not adjacent to a high temperature source.</i>



Prop. 65 Warning for California Residents
WARNING: This product may contain chemicals known to the State of California to cause cancer, birth defects, or other reproductive harm.



Phone:(800).768.5953
 Fax:(800).976.1299

Copyright © 2025 Serv-Ware Products LLC.

www.servware.com