



TS-SERIES

3-SECTION FULL-SIZE RAISED RAIL FORCED-AIR PREP TABLE



Project Name:	Location:	AIA #:
Item #:	Qty:	Model #:
		SIS #:

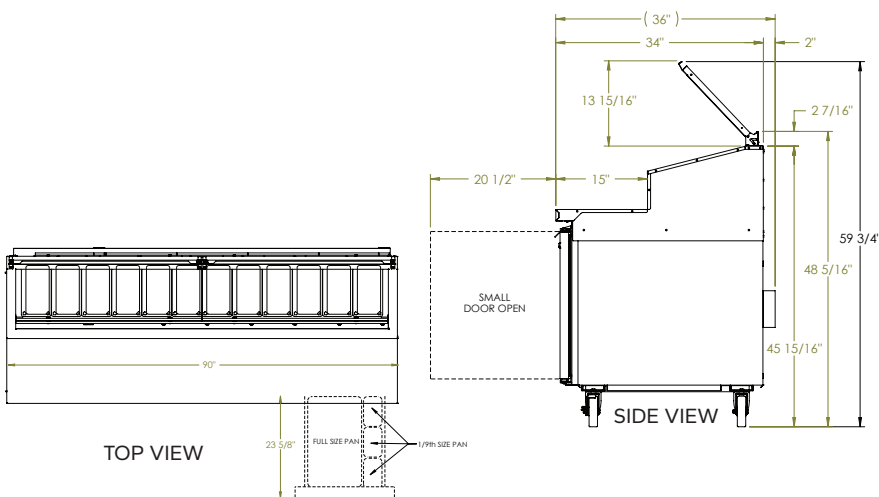
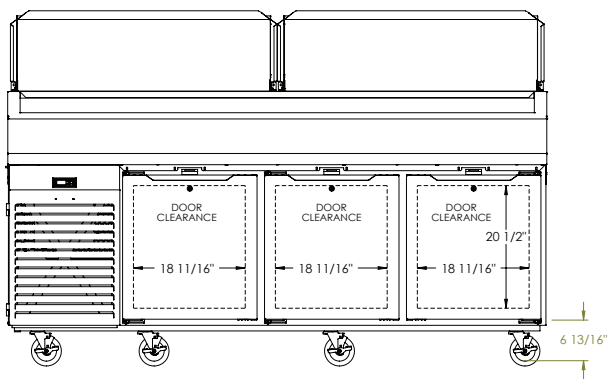
TS-SERIES - STAINLESS STEEL EXTERIOR & INTERIOR

SPECIFICATIONS



**90" WIDE MODEL
TS090HT**

DIMENSIONAL DATA	
Capacity cu. ft.	24.4 (690.9 L)
# Third Size Pans	12
# Opt'l Drawer Pans	1 Full & 3 Ninth Size
Length in.	90 (228.6 cm)
Depth in.	36 (91.4 cm)
Overall Height in. ²	48-3/8 (122.9 cm)
ELECTRICAL DATA	
Horsepower ¹	1/2
Amps	8.2
Voltage	115/60/1
NEMA	5-15P
REFRIGERATION DATA	
Refrigerant	R-290
Charge Amount oz.	4.5 (127.6 g)
BTU	3870



When ordering please specify:
Voltage, Hinging, and Options



- Based on 90°F ambient & 20°F evaporator.
- Overall height includes 6" (15.2 cm) for casters.



Models listed to applicable UL, CSA, and NSF standards by an approved NRTL. Consult the factory or unit data plate for additional information.

Specifications subject to change without notice. Chart dimensions are rounded up to the nearest 1/16" (centimeters rounded up to the nearest tenth).



TS-SERIES

3-SECTION FULL-SIZE RAISED RAIL FORCED-AIR PREP TABLE



Project Name:	Location:	AIA #:	
Item #:	Qty:	Model #:	SIS #:

REFRIGERATION SYSTEM

- Self-contained, side-mounted system uses environmentally friendly, minimal GWP R-290 refrigerant
- Front-breathing system allows zero-clearance installation
- High performance, balanced system operates at 34-38°F (1.1-3.3°C) to maintain consistent, food-safe temperatures
- TempAssure™ system surrounds pans with a cool blanket of air
- Allows overnight storage in the pan rail with the lid closed
- Specialized, clock-wise airflow design in cabinet base
- LED display for microprocessor control is water-resistant
- Easy to clean, front-facing condenser coil with removable, wire condenser filter for easy cleaning and coil protection
- Thermostatic expansion valve metering device
- High humidity evaporator coil located outside the food zone
- Non-electric condensate evaporator
- Hot gas evaporator defrost

CABINET CONSTRUCTION

- Stainless steel exterior and interior
- LED temperature display for both pan rail and cabinet base
- Stainless steel insulated lift-up rail covers (removable)
- Exterior back and bottom are constructed of heavy gauge galvanized steel
- Accommodates 6" deep full, half and third pans without adapter bars (pans supplied by others)
- Pan rail equipped with cleaning drain and flush valve
- Cabinet is insulated with an average of 2" (5.1 cm) thick high density, non-CFC foamed-in-place polyurethane
- Side, front and rear access panel for easy service and maintenance access
- A set of (8) 6" (15.2 cm) high plate casters; on adjustable channel system
- 9' (2.4 m) cord & plug provided

DOORS

- Stainless steel field reversible doors
- Stainless steel handles with gasket guard
- Doors are self-closing with a stay-open feature
- Standard door hinging left/left/right; other hinging available
- Magnetic, snap-in door gaskets

INTERIORS

- (2) adjustable, factory-installed coated wire shelves per section supported on shelf pins

FIELD-INSTALLED OPTIONS

- Set of (8) 3" (7.6 cm) casters
- Set of (8) 4" (10.2 cm) casters
- Set of (8) 6" (15.2 cm) stainless steel legs

FACTORY-INSTALLED OPTIONS

- Stainless steel finished back
- (2) or (3) drawers in lieu of door(s)
- Stainless steel shelves in lieu of standard
- #1 or Universal trayslides available
- Insulated lift-off rail cover
- Insulated bi-fold hinged lid
- Full-length 18" deep white plastic or composite cutting board per section; 1/2" (1.3 cm) thick
- Stainless steel countertop garnish rack
- Stainless steel ambient pan holder
- Stainless steel ticket rail
- Heavy gauge stainless steel 16-1/4" (41.3 cm) deep single overshef; height installed from floor to top of shelf 65-5/16" (165.9 cm) and height installed from work surface to top of shelf 29-3/4" (75.6 cm), assuming 6" (15.2 cm) casters

WARRANTY

Both a six-year parts and labor warranty, and an additional one-year compressor parts warranty (for a total of seven years) are provided standard.

CAD and/or Revit Files Available

<https://traulsen.klclcad.com>

Approved by:	Approved by:	Date:
--------------	--------------	-------