



G SERIES

1-SECTION SOLID DOOR
REACH-IN REFRIGERATOR



Project Name:	Location:	AIA #:
Item #:	Qty:	Model #:
		SIS #:

G SERIES - STAINLESS STEEL EXTERIOR & INTERIOR



HALF-HEIGHT MODELS

- G10000 Hinged Right
- G10001 Hinged Left

FULL-HEIGHT MODELS

- G10010 Hinged Right
- G10011 Hinged Left

SPECIFICATIONS

DIMENSIONAL DATA	
FH Capacity cu. ft.	23.43 (663.5 L)
HH Capacity cu. ft.	23.37 (661.81 L)
Length in.	29-7/8 (75.9 cm)
Depth in.	32 (81.3 cm)
Overall Height in. ²	83-7/16 (211.9 cm)
ELECTRICAL DATA	
Horsepower ¹	1/4
Amps	3.8
Voltage	115/60/1
NEMA	5-15P
REFRIGERATION DATA	
Refrigerant	R-290
Charge Amount oz.	4.5 (127.6 g)
BTU	1620

When ordering please specify:
Voltage, Hinging, and Options



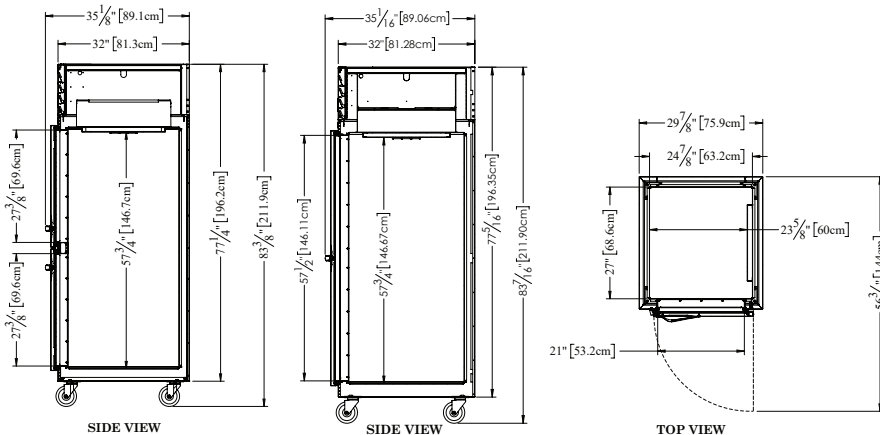
NEMA 5-15P

- Based on 90°F ambient & 20°F evaporator.
 - 12" top clearance preferred for optimum performance & service access.
- *Depth does not include 3-1/8" for door & handle.
 †Overall height includes 6" (15.2 cm) for casters.
 ‡For additional voltage options contact factory.



ENERGY STAR® Listed Commercial Refrigerator
For full listing visit energystar.gov

PLAN VIEW



Models listed to applicable UL, CSA, and NSF standards by an approved NRTL. Consult the factory or unit data plate for additional information.

Specifications subject to change without notice. Chart dimensions are rounded up to the nearest 1/16" (centimeters rounded up to the nearest tenth).



G SERIES

1-SECTION SOLID DOOR REACH-IN REFRIGERATOR



Project Name:	Location:	AIA #:
Item #:	Qty:	Model #:
		SIS #:

REFRIGERATION SYSTEM

- Self-contained, top-mounted system uses environmentally friendly, minimal GWP R-290 refrigerant
- High performance, balanced system operates at 34-38°F (1.1-3.3°C) to maintain consistent, food-safe temperatures
- Specialized, clock-wise airflow design
- Water-resistant microprocessor control with an LED display
- Easy to clean, front-facing condenser coil
- Thermostatic expansion valve metering device
- High humidity evaporator coil located outside the food zone; complete electro-deposition coating on coil

CABINET CONSTRUCTION

- Stainless steel exterior and interior
- Exterior top, back, and bottom is constructed of heavy gauge galvanized steel
- Load-Sure™ guard facilitates proper product loading
- Both the cabinet & door(s) are insulated with an average of 2" (5.1 cm) thick high density, non-CFC foamed-in-place polyurethane
- A set of (4) 6" (15.2 cm) high casters; (2) with brakes, (2) without brakes
- 9' cord & plug provided

DOORS

- Metal gasket-protecting door pan(s)
- Removable, plug cylinder locks
- Guaranteed for life cam-lift hinges
- Guaranteed for life metal workflow door handle(s)
- Door(s) are self-closing with a stay-open feature
- Magnetic, snap-in EZ-Clean™ door gasket(s) are chemical-resistant
- Door hinges include a concealed switch that automatically activate interior LED lighting

FACTORY-INSTALLED INTERIORS

- (3) adjustable, factory-installed coated wire shelves per section supported on shelf pins

FIELD-INSTALLED INTERIOR/SUPPORT OPTIONS

- See trayslide versatility chart below
- Additional shelves
- Set of (4) 4-1/8" (10.5 cm) casters; (2) with brakes, (2) without brakes
- Set of (4) 6" (15.2 cm) adjustable legs
- Set of (4) 6" (15.2 cm) flanged legs

WARRANTY

Both a six-year parts and labor warranty, and an additional one-year compressor parts warranty (for a total of seven years) are provided standard.

OPTIONAL ACCESSORY TRAYSLIDES						
TRAYSLIDE DRAWINGS						
TRAYSLIDE OFFERING	#1 (1) 18" x26" or (2) 14"x18"	#4 (Rod Type) (1) 18" x26"	Universal (1) 18" x26" or (2) 14"x18" or (2) 12"x20"	#1 EZ-Change (1) 18" x26" or (2) 14"x18"	Universal EZ-Change (1) 18" x26" or (2) 14"x18" or (2) 12"x20"	HD Universal EZ-Change (1) 18" x26" or (2) 14"x18" or (2) 12"x20"
SPACING CAPACITY DOOR SIZE	2" (28) Pairs Full Door 3" (19) Pairs Full Door 4" (14) Pairs Full Door 5" (11) Pairs Full Door	1-1/2" (38) Pairs Full Door	4" (14) Pairs Full Door 5" (11) Pairs Full Door 6" (9) Pairs Full Door	2" (26) Pairs Full Door 4" (13) Pairs Full Door	2-1/4" (22) Pairs Full Door 4-1/2" (11) Pairs Full Door	4-1/2" (11) Pairs Full Door 9" (5) Pairs Full Door

CAD and/or Revit Files Available

<https://traulsen.klclcad.com>

Approved by:	Approved by:	Date:
--------------	--------------	-------