



RESOURCES

Double Pass Through Shelves

Stainless Steel Shelving



Use your smart phone to scan the above QR code to visit our website:
www.bk-resources.com

Certifications:



Features:

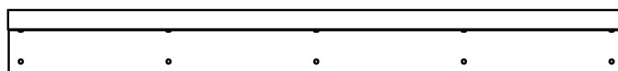
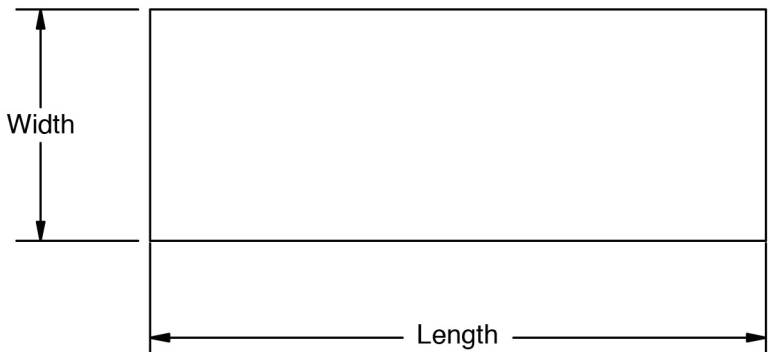
- Creates an easy access from kitchen to server area
- Ready to install with wall mounting brackets and hardware

Material:

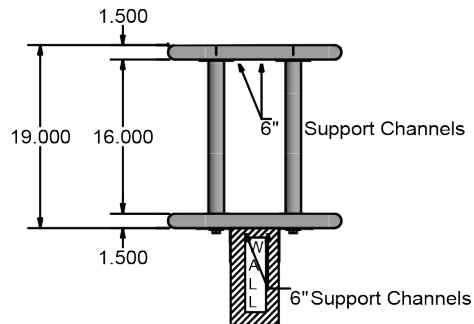
- T-304 16 ga. Stainless Steel Top



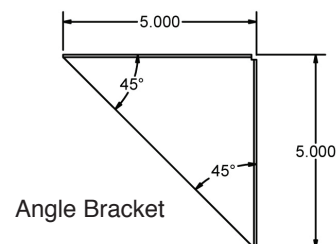
Part Number	Overall Size: (l x w)	Maximum Wall Thickness	Included Brackets
PTS-1824-2	24" x 18"	5"	2 L-Brackets
PTS-1836-2	36" x 18"	5"	2 L-Brackets
PTS-1848-2	48" x 18"	5"	2 L-Brackets
PTS-1860-2	60" x 18"	5"	2 L-Brackets
PTS-1872-2	72" x 18"	5"	2 L-Brackets
PTS-1896-2	96" x 18"	5"	2 L-Brackets
PTS-18108-2	108" x 18"	5"	4 Angle Brackets
PTS-18120-2	120" x 18"	5"	4 Angle Brackets
PTS-2424-2	24" x 24"	8"	4 Angle Brackets
PTS-2436-2	36" x 24"	8"	4 Angle Brackets
PTS-2448-2	48" x 24"	8"	4 Angle Brackets
PTS-2460-2	60" x 24"	8"	4 Angle Brackets
PTS-2472-2	72" x 24"	8"	6 Angle Brackets
PTS-2496-2	96" x 24"	8"	6 Angle Brackets
PTS-24108-2	108" x 24"	8"	6 Angle Brackets
PTS-24120-2	120" x 24"	8"	6 Angle Brackets



L-Bracket



MAXIMUM WALL THICKNESS - 5"



PRODUCT DATA SHEET

RESOURCES

