

## 36E-Series Heavy-Duty Electric Salamander Broiler

Project \_\_\_\_\_  
Item \_\_\_\_\_  
Quantity \_\_\_\_\_  
CSI Section 11400  
Approved \_\_\_\_\_  
Date \_\_\_\_\_

### Models

- ER36



### Standard Features

- Stainless steel front, sides, top, and splashwall
- Service and maintenance done from front with use of removable panels
- Six metal sheath elements, 1.16 kW each, half one each side of broiler
- Removable full-width drip tray
- Pull-out rack with lock position for broiling
- Two control switches (low, medium and high settings) each controlling temperature over half of the broiler grid

### Options & Accessories

- 208 volt or 240 volt, single phase for mounting on existing Garland 36E-Series ranges
- Special mounting brackets for mounting on existing ranges
- High-voltage configuration with three elements and one control only.

### Specifications

Model ER36, range mounted salamander broiler, with six metal sheath elements, 1.16 Kw each, with three over each half of the broiler rack.

Large rack 26-1/2" (673mm) wide x 14" (356mm) deep, 5-1/8" (130mm) height clearance, moves on four ball race bearings.

Broiler grid is rounded steel with flat or tilted broiling positions.

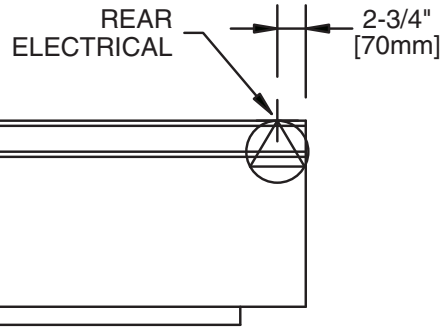
Overall dimensions are 36" (914mm) wide x 18" (457mm) deep.

Dual controls each control temperature on half of the broiler.



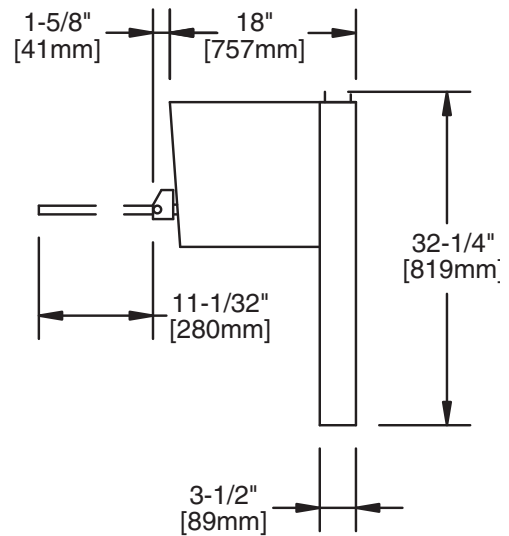
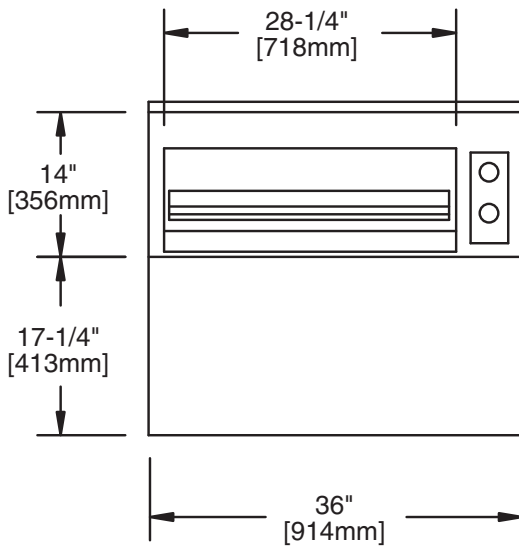
36E-Series Heavy-Duty Electric Salamander Broiler

## 36E-Series Heavy-Duty Electric Salamander Broiler



Garland products are not approved or authorized for home or residential use, but are intended for commercial applications only.

Garland will not provide service, warranty, maintenance or support of any kind other than in commercial applications.



Loading Chart						
Model	Total kW Loading			Nominal Amps Per Line		
				1 Phase		
	208V	240V	460V	208V	240V	460V
ER36	7.0	7.0	5.5	34	29.5	12

Export Ratings available on request. Specify voltage and wiring required.

Combustible Wall Clearances		
Left Side	Right Side	Back
6" (152mm)	4-1/2" (114mm)	1/2" (13mm)

Garland reserves the right to make changes to the design or specifications without prior notice.