

"PB-DIS1014-SSLR" PRO-BOWL HAND SINKS

Drop-In, (1) 10"x14"x5" or 10" Deep Bowl w/Side Splashes

FEATURES:

- One Piece Deep Drawn Bowl
- All Sink Bowls Have Large Liberal Radii Corners
- Includes Basket Drain
- Deck Mount Faucet Holes - 4" On-Center

SPECIFICATIONS:

- Bowl: Stainless Steel Tops Are TIG Welded, Exposed Welds Are Polished To Match Adjacent Surface
- Bowl: Type 300 Stainless Steel Polish, Satin Finish
- Bracket: Type 300 Stainless Steel Polish, Satin Finish
- Drain: 3-1/2" Drain Opening, With 1-1/2" NPS Outlet Connection

CERTIFICATIONS:



PB-DISINK101405-SSLR



PB-DISINK101410-P-SSLR

ACCESSORIES

MODEL

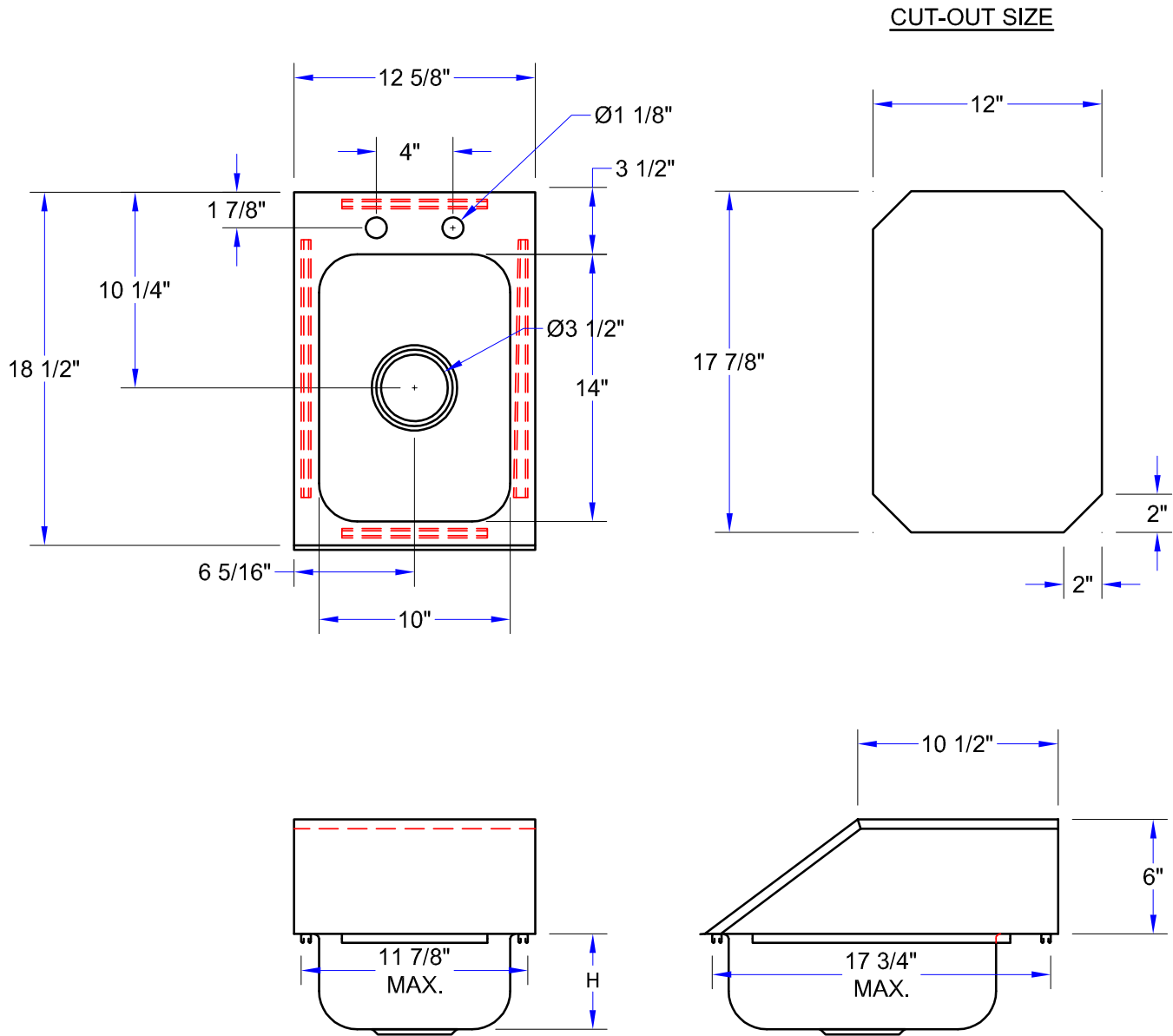
- Faucets
- Side Splash
- ADA Wrist Blades
- Towel Dispenser
- Lever Wastes
- Over Flows
- P-Traps

"PB-DISINK1014-SSLR" PRO-BOWL HAND SINKS

MODEL	FAUCET	BOWL SIZE (L X W X H)	OVERALL SINK SIZE (L X W X H)	WEIGHT (LBS)
PB-DISINK101405-SSLR	N/A	10"x14"x5"	12-5/8"x18-1/2"x11"	12
PB-DISINK101410-SSLR	N/A	10"x14"x10"	12-5/8"x18-1/2"x16"	15
PB-DISINK101405-P-SSLR	Includes PBF-4-DLF	10"x14"x5"	12-5/8"x18-1/2"x11"	15
PB-DISINK101410-P-SSLR	Includes PBF-4-DLF	10"x14"x10"	12-5/8"x18-1/2"x16"	20

ALL DIMENSIONS ARE TYPICAL. TOLERANCE +/- .500". JOHN BOOS & CO. RESERVES THE RIGHT TO CHANGE SPECIFICATIONS WITHOUT NOTICE.

DETAILED SPECIFICATIONS



"PB-DISINK1014-SSLR" PRO-BOWL HAND SINKS

MODEL	FAUCET	BOWL SIZE (L X W X H)	OVERALL SINK SIZE (L X W X H)	WEIGHT (LBS)
PB-DISINK101405-SSLR	N/A	10"x14"x5"	12-5/8"x18-1/2"x11"	12
PB-DISINK101410-SSLR	N/A	10"x14"x10"	12-5/8"x18-1/2"x16"	15
PB-DISINK101405-P-SSLR	Includes PBF-4-DLF	10"x14"x5"	12-5/8"x18-1/2"x11"	15
PB-DISINK101410-P-SSLR	Includes PBF-4-DLF	10"x14"x10"	12-5/8"x18-1/2"x16"	20

ALL DIMENSIONS ARE TYPICAL. TOLERANCE +/- .500". JOHN BOOS & CO. RESERVES THE RIGHT TO CHANGE SPECIFICATIONS WITHOUT NOTICE.