



CDR-700 Dough Sheeter (Extra Heavy Duty)



Ideal for:

- High Volume Pizza Production
- Dough Lamination
- Dough Breaking
- Doughnut Production
- Pastry Production
- Pasta
- Cookies
- Dog Biscuits

Highlights:

- Sheets over 50lbs of dough up to 20" (51cm) wide
- Ideal for demanding applications with extra tough dough
- Ergonomic design makes it easy and simple to operate
- All stainless steel construction offers safety, sanitation, speed, simplicity, durability, and low cost

CDR-700 Dough Sheeter

The ultimate sheeter in safety and performance. Sheets dough to a uniformed thickness in seconds.



CDR-700 Synthetic Rollers
CDR-700M Metallic Rollers

Features

- Removable sliding tray for easy operation, cleaning, and space saving
- Synthetic or metallic rollers
- Safety sensors for automatic shutoff
- Compact design, ideal for use in limited space
- Sanitary, heavy duty, all stainless steel welded construction
- Spring loaded scrapers readily removable for easy cleaning
- Simple handle adjustments for exact uniform dough thickness
- Maintenance free drive mechanism, isolated from roller area
- Easy to operate, easy to clean
- Extremely versatile and safe machine

Industry Uses

- Pizzerias
- Bakeries
- Donut Shops
- Dough Production
- Schools
- Institutions

Contact us

978.667.3355 | 800.772.440

Fax: 978.671.9466

Email: somerset@smrset.com

smrset.com

Somerset Industries, Inc.
137 Phoenix Ave
Lowell, MA 01852 USA

Specifications

(Specifications subject to change without notice)

Rollers: 3.5" dia. by 20" length
(8.89 cm dia. by 50.80 cm length)

Scrapers: Synthetic, Spring Loaded, Removable

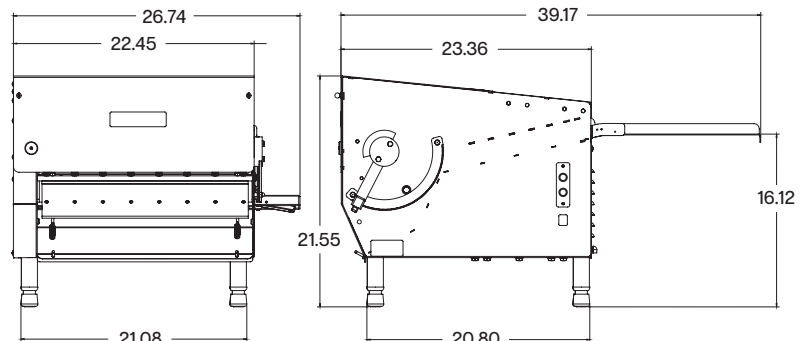
Bearings: Sealed Ball Bearings, Permanently Lubricated

Gear Motor: Heavy Duty 1 HP, Maintenance Free, Single Phase, 115v/60Hz, 220v/50Hz

Finishing: All Stainless Steel

Legs: 4" Adjustable, Stainless Steel

Shipping Weight: 220 lbs (100kgs)



Scan the code to learn more about the CDR-700

