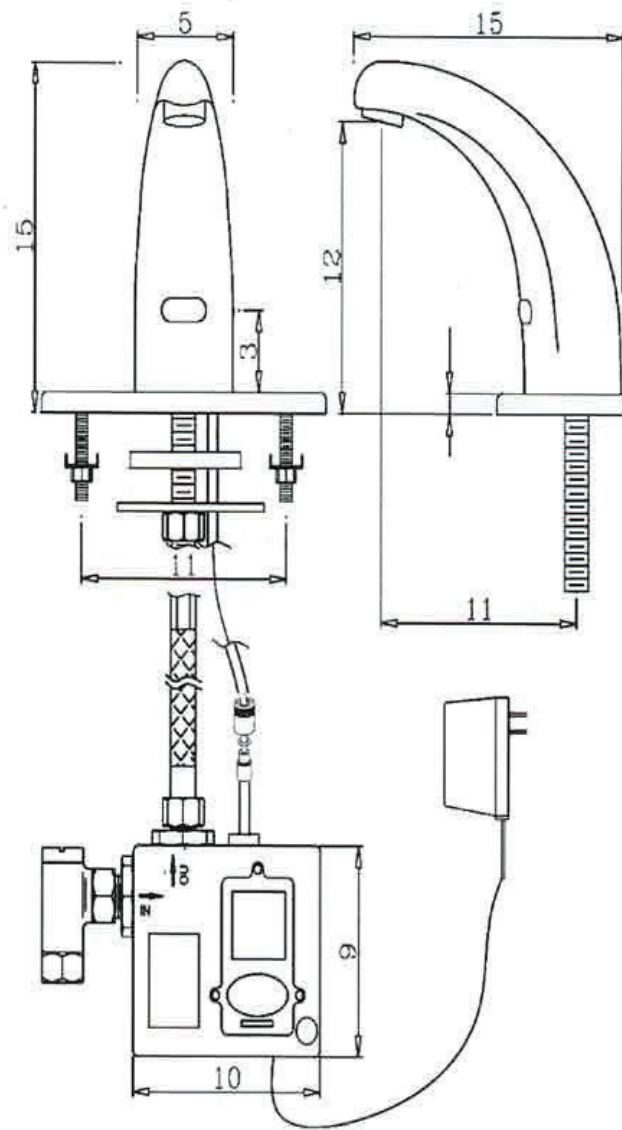




Use your smart phone to scan the above QR code to visit our website: [www.bk-resources.com](http://www.bk-resources.com)

## Deck Mount Sensor Faucet

Model: BKF-4DSF



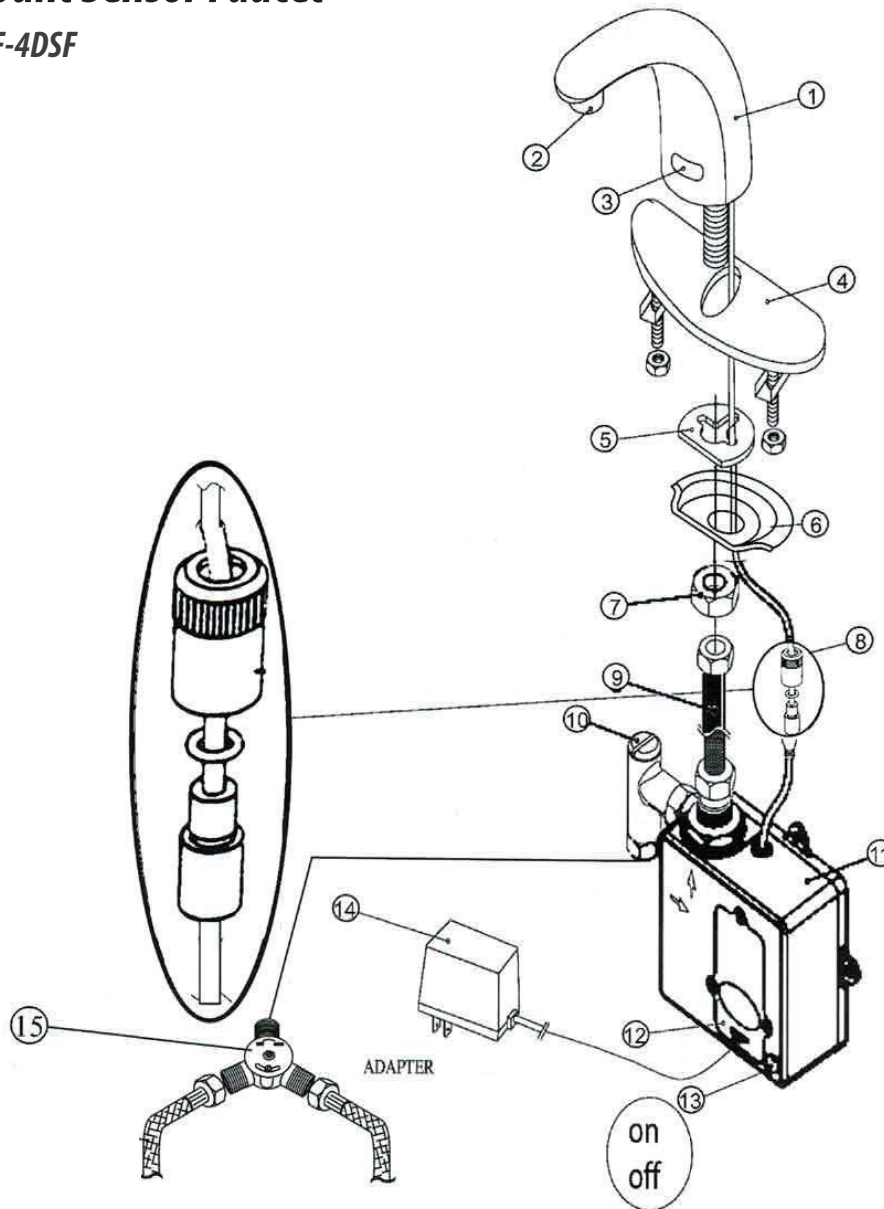
### Product Specifications:

- 4" Deck Mounted Motion-Sensor Faucet
- Polished Chrome Plated Brass with Integral Spout
- Plug in Transformer or (4) AA Batteries (not included)
- Water supply pipe size: NPSM 1/2-1/4
- Sensing Distance: 2-17cm
- Response time: 0.3 sec (default)
- Off Delay Time: 1 sec (default), 2 sec (optional)
- Fresh Battery Life Cycle: 5000,000 on/off
- Low Battery Indicator: Red LED Flash



# Deck Mount Sensor Faucet

Model: BKF-4DSF



### Exploded Parts Detail:

Diagram #	Quantity	Description
1	1	Main Body
2	1	Spout
3	1	Infrared Sensor Eye
4	1	Cover Plate (not applicable)
5	1	Plastic Washer
6	1	Stainless Steel Washer
7	1	Basin Nut
8	1	Waterproof Connect Cable

Diagram #	Quantity	Description
9	1	Supply Hose
10	1	Filter
11	1	Control Module
12	1	Battery Cover
13	1	On/Off Control Button
14	1	Adapter: AC100-240V
15	1	SEF-2X5034 Mixing Valve (Not included)

