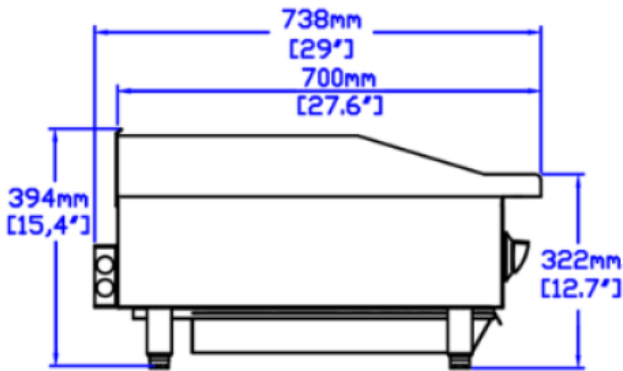
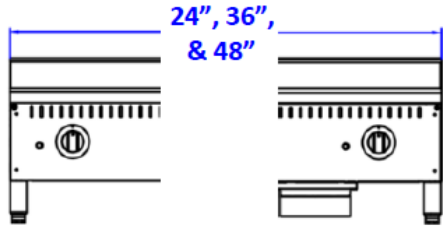




# Electric Griddles

24", 36" & 48" CS-EG series models



Model CS-36EG



## Standard Features & Benefits

**CONSTRUCTION:** Easy cleaning, corrosion resistant stainless steel finish. Adjustable stainless steel legs for easy leveling. Installation clearances are 1" on sides and rear.

**GRIDDLE PLATE:** 20.7" deep cook surface x 1" thick plate. A deep, large capacity grease drawer is provided.

**CONTROLS:** The temperature controls are combination "ON / OFF" switches and thermostats. CS-EG electric griddles have one thermostat for every 12" section of griddle that operates independently of one another.

**POWER:** 208V / 240V. 3.0 / 4.0 KW per 12" increment. The CS-EG series electric griddles may be wired for operation in the field for either 1-phase or 3-phase power supplies by making line connections at the junction box located at the rear of the unit. A cord / plug must be provided by the installer to adapt to on-site electrical requirements.

SPECIFICATIONS				
Model		CS-24EG	CS-36EG	CS-48EG
Width	in.	24	36	48
	mm	610	915	1219
Depth	in.	29	29	29
	mm	738	738	738
Height	in.	15.4	15.4	15.4
	mm	394	394	394
Approx. Ship Weight	lbs.	245	350	525
	kgs.	111	159	238



**WARNING:** This product can expose you to certain chemicals, which are known to the State of California to cause cancer or birth defects or other reproductive harm. For more information go to: [www.P65Warnings.com](http://www.P65Warnings.com)

**NOTICE:** In an ongoing effort of product development & improvement, Comstock-Castle reserves the right to change specifications and product design without notice. Such modifications do not entitle the buyer to corresponding changes or replacements for previously purchased equipment.



Comstock-Castle Stove Co. • 119 W. Washington St. • Quincy, IL. 62301  
 Tel.: 217-223-5070 • Fax.: 217-223-0007 • Web: [www.castlestove.com](http://www.castlestove.com)

